

COMBIVERT F6

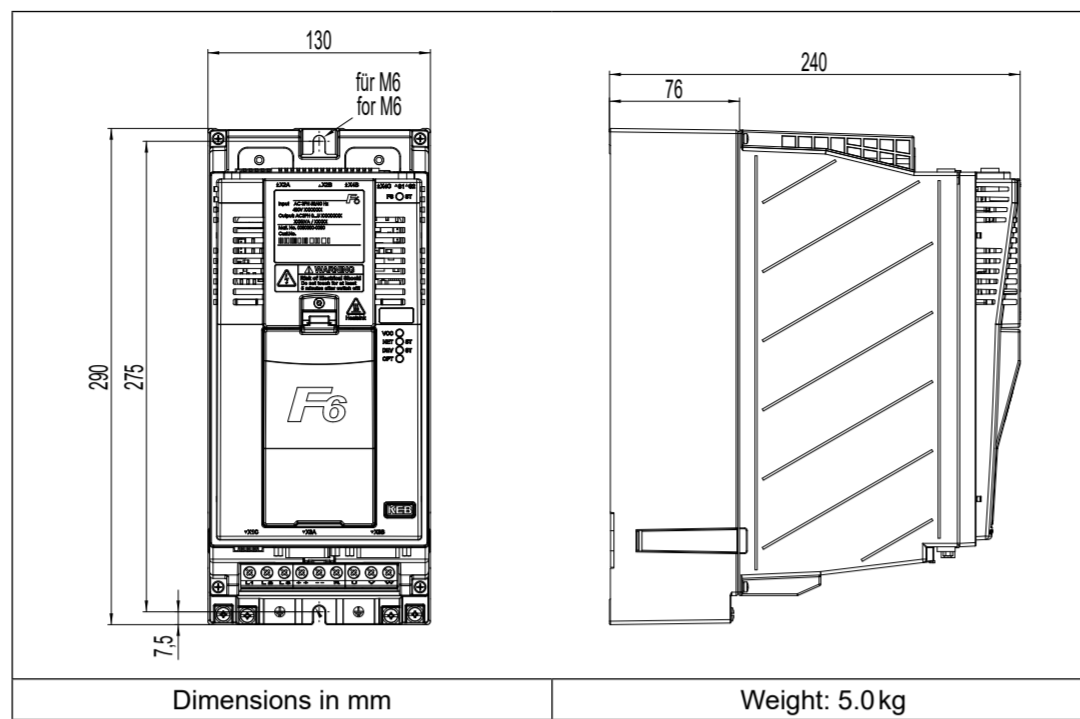
QUICK START GUIDE

Translation of the original manual
F6 Series Housing 2, 3, 4, 6, 7, 8, 9
Document 20162225 EN 12

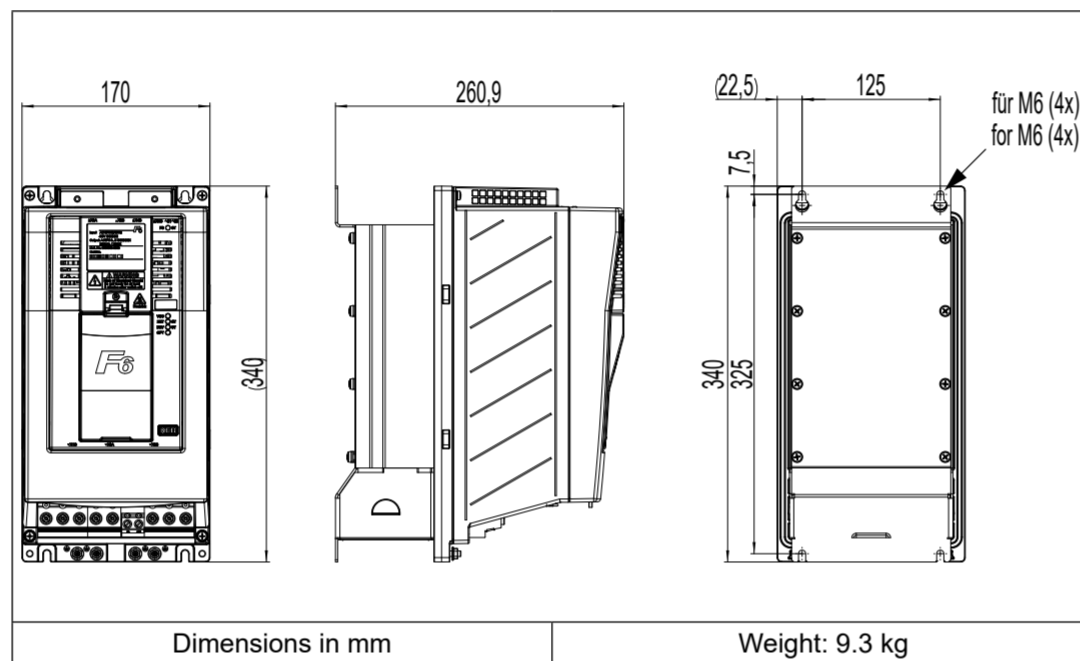
Mat.No. 00F6N1M-0005

HOUSING DIMENSIONS

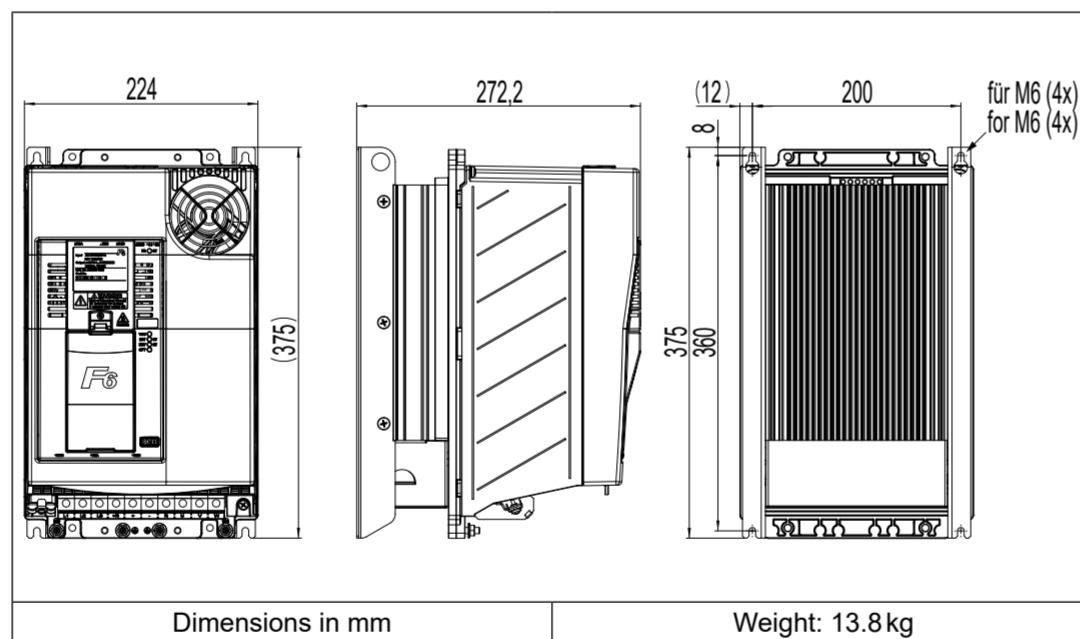
HOUSING 2 BUILT-IN VERSION



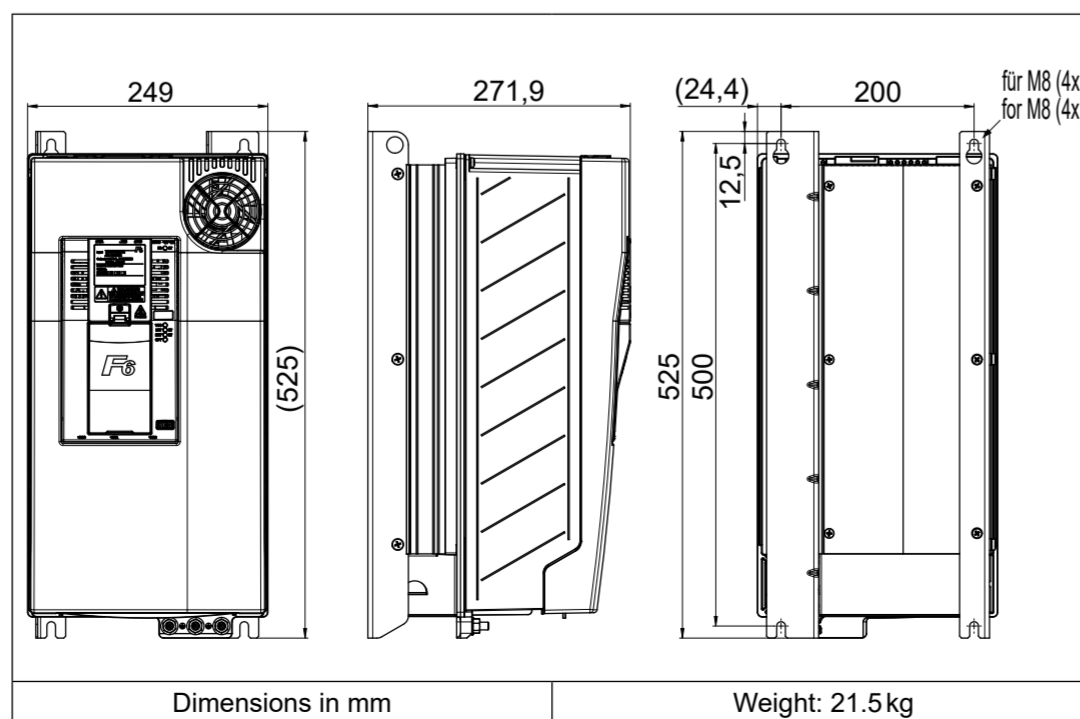
HOUSING 3 BUILT-IN VERSION



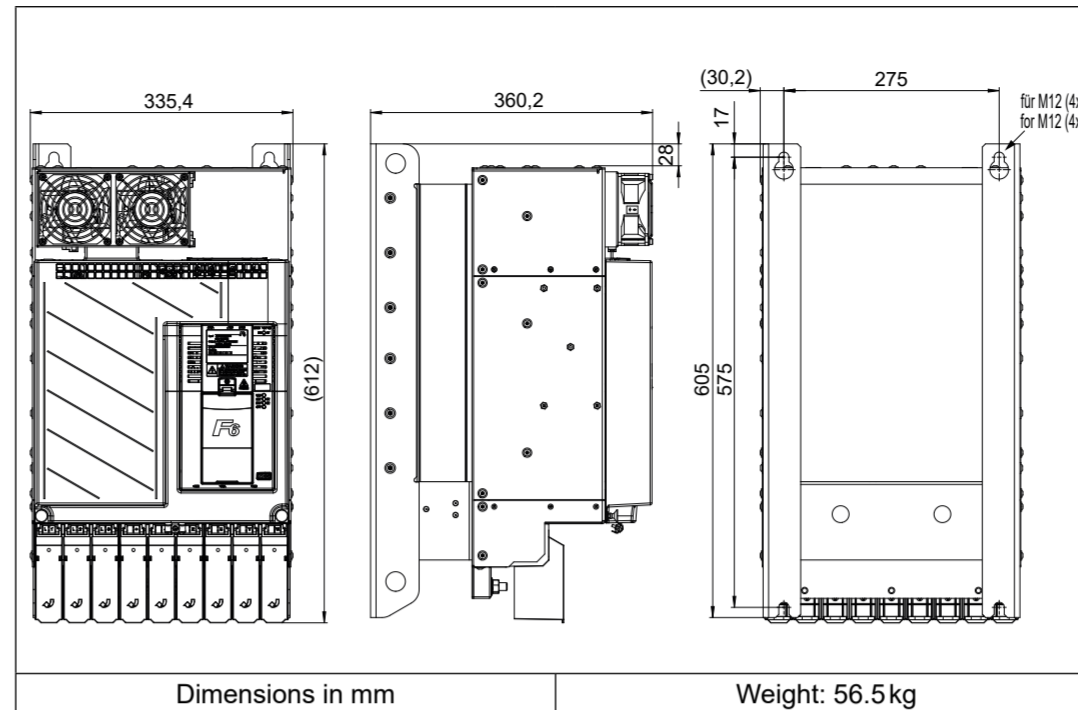
HOUSING 4 BUILT-IN VERSION



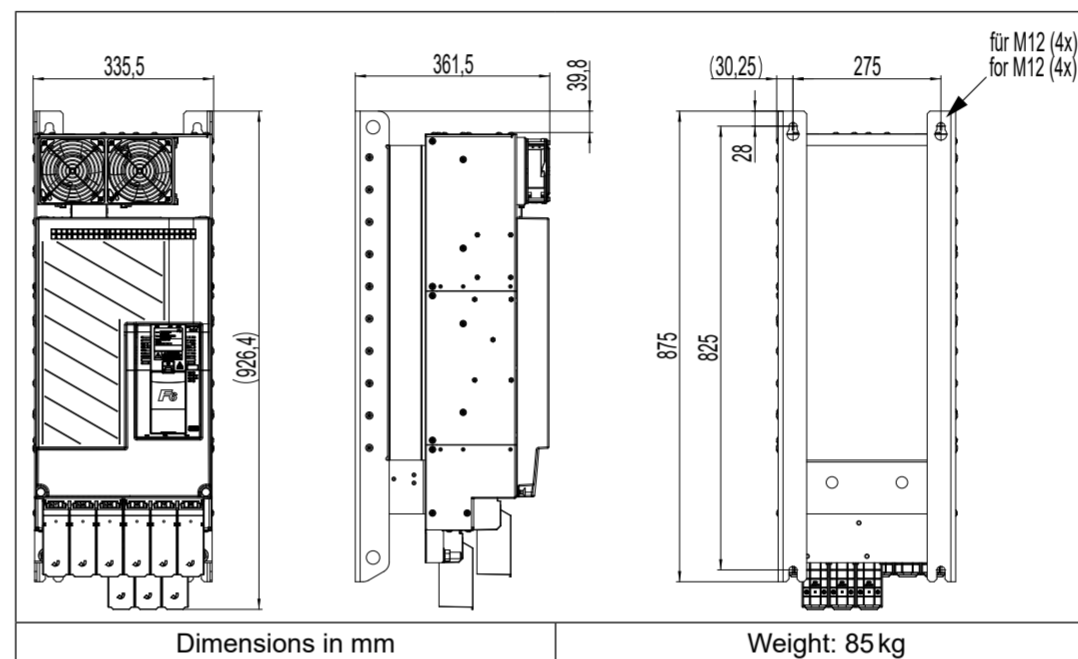
HOUSING 6 BUILT-IN VERSION



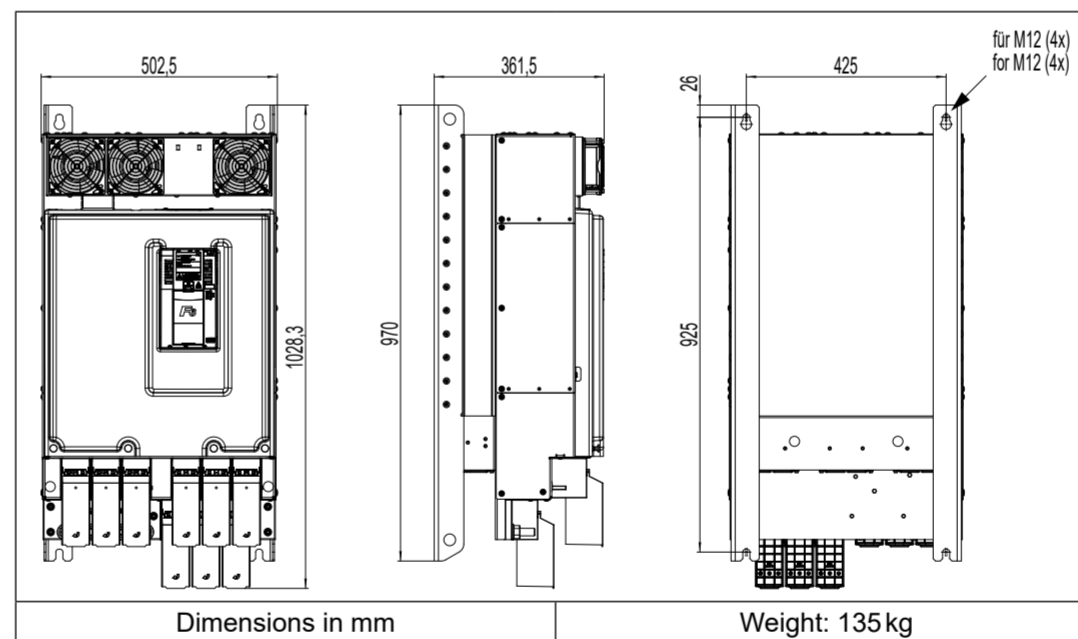
HOUSING 7 BUILT-IN VERSION



HOUSING 8 BUILT-IN VERSION



HOUSING 9 BUILT-IN VERSION



The housing dimensions of other model variants can be found in the instructions for use of the corresponding housings.

CERTIFICATION

CE certification

CE certification

KEB products meet the requirements of the valid European and national directives. The conformity has been proven. The corresponding declarations can be downloaded from our website by entering the material number in the search field.

FS certification



For devices with FS logo on the nameplate, the corresponding KEB safety manual must be observed!

During the UL evaluation, only electrical safety and risk of fire aspects were investigated. Functional safety aspects were not evaluated. Devices with safety function are limited to a service life of 20 years. Then the devices must be replaced.



See www.keb.de/nc/search with search term "safety manual".

UL certification

NOTICE

UL certification

Only devices with UL logo on the name plate are certified.



For compliance with UL for use in the North American and Canadian Market, the following additional information must be observed (English original text):

BRANCH CIRCUIT PROTECTION

- ▶ Integral solid state short circuit protection does not provide branch circuit protection.
- ▶ Branch circuit protection must be provided in accordance with the Manufacturer Instructions, National Electrical Code and any additional local codes".
- ▶ CSA: For Canada: Branch circuit protection must be provided in accordance with the Canadian Electrical Code, Part I.

WARNING

THE OPENING OF THE BRANCH-CIRCUIT PROTECTIVE DEVICE MAY BE AN INDICATION THAT A FAULT HAS BEEN INTERRUPTED. TO REDUCE THE RISK OF FIRE OR ELECTRIC SHOCK, CURRENT-CARRYING PARTS AND OTHER COMPONENTS OF THE CONTROLLER SHOULD BE EXAMINED AND REPLACED IF DAMAGED. IF BURNOUT OF THE CURRENT ELEMENT OF AN OVERLOAD RELAY OCCURS, THE COMPLETE OVERLOAD RELAY MUST BE REPLACED.

AVERTISSEMENT

LE DÉCLENCHEMENT DU DISPOSITIF DE PROTECTION DU CIRCUIT DE DÉRIVATION PEUT ÊTRE DÙ À UNE COUPURE QUI RÉSULTE D'UN COURANT DE DÉFAUT. POUR LIMITER LE RISQUE D'INCENDIE OU DE CHOC ÉLECTRIQUE, EXAMINER LES PIÈCES PORTEUSES DE COURANT ET LES AUTRES ÉLÉMENTS DU CONTRÔLEUR ET LES REMPLACER S'ILS SONT ENDOMMAGÉS. EN CAS DE GRILLAGE DE L'ÉLÉMENT TRAVERSÉ PAR LE COURANT DANS UN RELAIS DE SURCHARGE, LE RELAIS TOUT ENTIER DOIT ÊTRE REMPLACÉ.

GROUNDING SYSTEM

- ▶ All 480Vac / 3-ph Models:
„Only for use in non-corner grounded type WYE source not exceeding 277 V phase to ground“ (or equivalent).
- ▶ All 200-240Vac / 3-ph Models:
“Only for use in non-corner grounded type WYE source not exceeding 139 V phase to ground“ (or equivalent).

UK Conformity Assessed

UK Conformity Assessed

KEB products with the listed logo meet the requirements and guidelines of Great Britain. The corresponding information can be obtained on our website by entering the material number in the search field or from our authorised contact person below:

KEB(UK) Ltd.
5 Morris Cl, Park Farm Industrial Estate,
Wellingborough NN8 6XF, UK

DISPOSAL

- ▶ For professional disposal, follow the instructions in the instructions for use

INSTRUCTIONS FOR USE



- ▶ Open the KEB homepage at www.keb-automation.com.
- ▶ By entering the material number in the search field, you will get the corresponding parts of the instructions for use.
- ▶ Read the instructions for use carefully!

KEB Online	www.keb-automation.com	KR	다른 언어도 사용할 수 있습니다.
BG	Други налични езици.	HR	Ostali dostupni jezici.
CN	其他语言可用。	HU	Más elérhető nyelvek.
CZ	Jiné jazyky k dispozici.	LV	Citas pieejamās valodas.
DK	Andre sprog til rådighed.	LT	Kitos kalbos.
DE	Weiteren Sprachen verfügbar.	MT	Lingwi oħra disponibbli.
EN	Other languages available.	NL	Andere talen beschikbaar.
EE	Muud keeled on saadaval.	PL	Inne dostępne języki.
ES	Otros idiomas disponibles.	PT	Outros idiomas disponíveis.
FI	Muut kielet saatavilla.	RO	Alte limbi disponibile.
FR	Autres langues disponibles.	RU	Доступны другие языки.
GR	Άλλες διαθέσιμες γλώσσες.	SE	Andra språk finns tillgängliga.
IE	Teangacha eile ar fáil.	SK	Iné jazyky sú k dispozícii.
IT	Altre lingue disponibili.	SI	Drugi jeziki so na voljo.
JP	他の言語も利用できます。	TR	Mevcut diğer diller.