



COMBIVERT F6

INSTRUCTIONS FOR USE | **INSTALLATION F6 HOUSING 6**
PEAK POWER

Translation of the original manual
Document 20370214 EN 03



Preface

The hardware and software described in this document are products of KEB. The information contained in this document is valid at the time of publishing. KEB reserves the right to update this document in response to misprints, mistakes or technical changes.

Signal words and symbols

Certain procedures within this document can cause safety hazards during the installation or operation of the device. Refer to the safety warnings in this document when performing these procedures. Safety signs are also located on the device where applicable. A safety warning is marked by one of the following warning signs:

DANGER	Dangerous situation, which will cause death or serious injury if this safety warning is ignored.
WARNING	Dangerous situation, which may cause death or serious injury if this safety warning is ignored.
CAUTION	Dangerous situation, which may cause minor injury if this safety warning is ignored.
NOTICE	Situation, which can cause damage to property if this safety warning is ignored.

RESTRICTION

Used when the following statements depend on certain conditions or are only valid for certain ranges of values.



Used for informational messages or recommended procedures.

More symbols

- ▶ This arrow starts an action step.
- / - Enumerations are marked with dots or indents.
- => Cross reference to another chapter or another page.



Note to further documentation.
<https://www.keb-automation.com/search>



Laws and guidelines

KEB Automation KG confirms with the EC declaration of conformity and the CE mark on the device nameplate that it complies with the essential safety requirements.

The EC declaration of conformity can be downloaded on demand via our website.

Warranty and liability

The warranty and liability on design, material or workmanship for the acquired device is given in the general sales conditions.



Here you will find our general sales conditions.
<https://www.keb-automation.com/terms-conditions>



Further agreements or specifications require a written confirmation.

Support

Although multiple applications are referenced, not every case has been taking into account. If you require further information or if problems occur which are not referenced in the documentation, you can request the necessary information via the local KEB agency.

The use of our units in the target products is outside of our control and therefore lies exclusively in the area of responsibility of the customer.

The information contained in the technical documentation, as well as any user-specific advice in spoken and written and through tests, are made to best of our knowledge and information about the intended use. However, they are regarded as being only informal and changes are expressly reserved, in particular due to technical changes. This also applies to any violation of industrial property rights of a third-party. Selection of our units in view of their suitability for the intended use must be done generally by the user.

Tests can only be done within the intended end use of the product (application) by the customer. They must be repeated, even if only parts of hardware, software or the unit adjustment are modified.

Copyright

The customer may use the instructions for use as well as further documents or parts from it for internal purposes. Copyrights are with KEB and remain valid in its entirety.

This KEB product or parts thereof may contain third-party software, including free and/or open source software. If applicable, the license terms of this software are contained in the instructions for use. The instructions for use are already available to you, can be downloaded free of charge from the KEB website or can be requested from the respective KEB contact person.

Other wordmarks or/and logos are trademarks (™) or registered trademarks (®) of their respective owners.

Table of Contents

Preface	3
Signal words and symbols	3
More symbols.....	3
Laws and guidelines.....	4
Warranty and liability.....	4
Support	4
Copyright.....	4
Table of Contents	5
List of Figures	9
List of Tables	10
Glossary	11
Standards for drive controllers	13
Product standards that apply directly to the drive controller	13
Basic standards to which drive controller standards refer directly	13
Standards that are used in the environment of the drive controller.....	14
1 Basic Safety Instructions	15
1.1 Target group	15
1.2 Transport, storage and proper use	15
1.3 Installation	16
1.4 Electrical connection	17
1.4.1 EMC-compatible installation.....	18
1.4.2 Voltage test.....	18
1.4.3 Insulation measurement.....	18
1.5 Start-up and operation	19
1.6 Maintenance	20
1.7 Repair	21
1.8 Disposal	22
2 Product Description	23
2.1 Specified application	23
2.1.1 Residual risks	23
2.2 Unintended use	23
2.3 Product features	24
2.4 Part code	25
2.5 Nameplate	27
2.5.1 Configurable options	28

3	Technical data	29
3.1	Operating conditions	29
3.1.1	Climatic environmental conditions.....	29
3.1.2	Mechanical environmental conditions	30
3.1.3	Chemical / mechanical active substances.....	30
3.1.4	Electrical operating conditions.....	31
3.1.4.1	Device classification	31
3.1.4.2	Electromagnetic compatibility.....	31
3.2	Device data of the 230 V Peak Power devices	32
3.2.1	Overview of 230 V Peak Power devices	32
3.2.2	Voltage and frequencies for 230V devices.....	33
3.2.3	Input and output currents/ overload.....	34
3.2.2.1	Example of the calculation of the possible motor voltage 230V:	34
3.2.3.1	Overload characteristic (OL) for 230 V devices.....	35
3.2.3.2	Frequency-dependent maximum current (OL2) for 230 V Peak Power devices	37
3.2.4	Power dissipation at rated operation for 230 V Peak Power devices.....	39
3.2.5	Fusing of the 230 V Peak Power devices.....	40
3.3	Device data of the 400 V Peak Power devices	41
3.3.1	Overview of 400 V Peak Power devices	41
3.3.2	Voltage and frequencies for 400V devices	42
3.3.2.1	Example of the calculation of the possible motor voltage:	43
3.3.3	Input and output currents/ overload.....	43
3.3.3.1	Overload characteristic (OL)	44
3.3.3.2	Frequency-dependent maximum current (OL2)	46
3.3.4	Overview of rectifier data for 400 V devices.....	48
3.3.5	Power dissipation at rated operation for 400 V Peak Power devices.....	49
3.3.6	Fusing of the 400 V devices	49
3.3.6.1	Fusing of the 400 V devices at AC supply.....	49
3.3.6.2	Fusing of the 400 V devices at DC supply.....	50
3.4	Allgemeine elektrische Daten.....	51
3.4.1	Schaltfrequenz und Temperatur	51
3.4.1.1	Switching frequency and temperature of the 230 V Peak Power devices.....	51
3.4.1.2	Switching frequency and temperature of the 400 V Peak Power devices.....	51
3.4.2	DC link / braking transistor function.....	52
3.4.2.1	DC link / braking transistor function of the 230 V Peak Power devices.....	53
3.4.2.2	DC link / braking transistor function of the 400 V Peak Power devices.....	54
3.4.3	Fan	55
3.4.3.1	Switching behaviour of the fans	56
3.4.3.2	Switching points of the fans.....	56

4	Installation	57
4.1	Dimensions and weights	57
4.1.1	Built-in version air cooler	57
4.1.2	Push-through version air cooler IP20, IP54-ready	58
4.2	Control cabinet installation	59
4.2.1	Mounting instructions	59
4.2.2	Mounting distances	60
4.2.3	Installation of IP54-ready devices	61
4.2.5	Control cabinet ventilation	62
4.2.4	Airflow of the drive converter	62
5	Installation and connection	63
5.1	Overview of the COMBIVERT F6	63
5.2	Connection of the power unit	66
5.2.1	Connection of the voltage supply	66
5.2.1.1	Terminal block X1A	67
5.2.2	Protective earth and function earth	68
5.2.2.1	Protective earth	68
5.2.2.2	Functional earthing	68
5.3	Mains connection	69
5.3.1	Supply cable	69
5.3.2	AC mains connection	69
5.3.2.1	AC supply 3-phase	69
5.3.2.2	Note on hard power systems	70
5.3.3	DC mains connection	71
5.3.3.1	Terminal block X1A DC connection	71
5.3.3.2	Connection at DC voltage supply	72
5.3.4	Connection of the motor	73
5.3.4.1	Wiring of the motor	73
5.3.4.2	Terminal block X1A motor connection	74
5.3.4.3	Selection of the motor line	75
5.3.4.4	Motor cable length and conducted interferences at AC supply	75
5.3.4.5	Motor cable length for parallel operation of motors	76
5.3.4.6	Motor cable cross-section	76
5.3.4.7	Interconnection of the motor	76
5.3.4.8	Connection of the temperature monitoring and brake control (X1C)	77
5.3.5	Connection and use of a braking resistor	79
5.3.5.1	Terminal block X1A connection braking resistor	80
5.3.5.2	Use of non-intrinsically safe braking resistors	81
5.3.6	DC-bus connection	82

5.4 Accessories	84
5.4.1 Filters and chokes	84
5.4.2 Seal for IP54-ready devices	84
5.4.3 Side-mounted braking resistors.....	84
6 Certification.....	85
6.1 CE marking.....	85
6.2 UL certification	86
6.3 Further informations and documentation.....	88
7 Revision history.....	89

List of Figures

Figure 1:	Nameplate.....	27
Figure 2:	Configurable options	28
Figure 3:	Switch-off time t depending on the overload I/IN at OC level 300% (OL).....	35
Figure 4:	Switch-off time t depending on the overload I/IN at OC level 275% (OL).....	36
Figure 5:	Typical overload characteristics in the lower output frequencies (OL2) Example 18 device.....	37
Figure 6:	Switch-off time t depending on the overload I/IN at OC level 240% (OL).....	44
Figure 7:	Switch-off time t depending on the overload I/IN at OC level 270% (OL).....	45
Figure 8:	Typical overload characteristics in the lower output frequencies (OL2) Example 21 device.....	46
Figure 9:	Block diagram of the energy flow.....	52
Figure 10:	Switching behaviour of the fans example heat sink fan.....	56
Figure 11:	Dimensions built-in version air cooler	57
Figure 12:	Dimensions push-through version air cooler IP20, IP54-ready	58
Figure 13:	Mounting distances	60
Figure 14:	Installation of IP54-ready devices	61
Figure 16:	Control cabinet ventilation.....	62
Figure 15:	Airflow of the drive converter	62
Figure 17:	F6 housing 6 top view	63
Figure 18:	F6 housing 6 front view.....	64
Figure 19:	F6 housing 6 rear view with control board COMPACT	65
Figure 20:	Input circuit.....	66
Figure 21:	Terminal block X1A	67
Figure 22:	Connection for protective earth.....	68
Figure 23:	Connection of the mains supply 3-phase.....	69
Figure 24:	Terminal block X1A DC connection.....	71
Figure 25:	Connection at DC voltage supply.....	72
Figure 26:	Wiring of the motor.....	73
Figure 27:	Terminal block X1A motor connection.....	74
Figure 28:	Symmetrical motor line	75
Figure 29:	Terminal block X1C for control board APPLICATION and COMPACT.....	77
Figure 30:	Terminal block X1C for control board PRO	77
Figure 31:	Connection of the brake control.....	78
Figure 32:	Connection of a KTY sensor	78
Figure 33:	Terminal block X1A connection braking resistor	80
Figure 34:	DC-bus connection	83

List of Tables

Table 1:	Part code.....	26
Table 2:	Climatic environmental conditions	29
Table 3:	Mechanical environmental conditions	30
Table 4:	Chemical / mechanical active substances	30
Table 5:	Device classification.....	31
Table 6:	Electromagnetic compatibility	31
Table 7:	Overview of the 230 V Peak Power device data.....	33
Table 8:	Input voltages and frequencies of the 230V devices	33
Table 9:	DC link voltage for 230V devices.....	33
Table 10:	Output voltages and frequencies of the 230V devices	34
Table 11:	Example of the calculation of the possible motor voltage 230V:.....	34
Table 12:	Input and output currents / overload of the Peak Power devices	34
Table 13:	Frequency-dependent maximum current for device size 18	38
Table 14:	Frequency-dependent maximum current for device size 19.....	39
Table 15:	Power dissipation of the 230V Peak Power devices	39
Table 16:	Fusing of the 230 V / 240 V Peak Power devices.....	40
Table 17:	Overview of the 400V Peak Power device data	42
Table 18:	Input voltages and frequencies of the 400V devices	42
Table 19:	DC link voltage for 400V devices.....	42
Table 20:	Output voltages and frequencies of the 400V devices	43
Table 21:	Example of the calculation of the possible motor voltage:.....	43
Table 22:	Input and output currents / overload of the 400 V Peak Power devices	43
Table 23:	Frequency-dependent maximum current for device size 21 Peak Power	47
Table 24:	Frequency-dependent maximum current for device size 22 Peak Power	48
Table 25:	Overview of the 400 V device data	48
Table 26:	Power dissipation of the 400V Peak Power devices	49
Table 27:	AC fusing of the 400 V Peak Power devices	49
Table 28:	DC fusing of the 400 V / 480 V Peak Power devices.....	50
Table 29:	Switching frequency and temperature of the 230 V Peak Power devices	51
Table 30:	Switching frequency and temperature of the 400 V Peak Power devices	51
Table 31:	DC link / braking transistor function of the 230 V Peak Power devices	53
Table 32:	DC link / braking transistor function of the 400 V Peak Power devices	54
Table 33:	Fan.....	55
Table 34:	Switching points of the fans	56
Table 35:	Mounting instructions for built-in version.....	59
Table 36:	Mounting instructions for push-through version	59
Table 37:	Crimp connector dimension X1A.....	67
Table 38:	Crimp connector dimension DC connection.....	71
Table 39:	Crimp connector dimension motor connection.....	74
Table 40:	Crimp connector dimension braking resistor.....	80
Table 41:	Filters and chokes 230 V devices	84
Table 42:	Filters and chokes 400 V devices	84
Table 43:	Seal for IP54-ready devices.....	84

Glossary

0V	Earth-potential-free common point	Encoder emulation	Software-generated encoder output
1ph	1-phase mains	End customer	The end customer is the user of the customer product
3ph	3-phase mains	Endat	Bidirectional encoder interface of the company Heidenhain
AC	AC current or voltage	EtherCAT	Real-time Ethernet bus system of the company Beckhoff
AFE	From 07/2019 AIC replaces the previous name AFE	Ethernet	Real-time bus system - defines protocols, plugs, types of cables
AFE filter	From 07/2019 AIC filter replaces the previous name AFE filter	FE	Functional earth
AIC	Active Infeed Converter	FSoE	Functional Safety over Ethernet
AIC filter	Filter for Active Infeed Converter	FU	Drive controller
Application	The application is the intended use of the KEB product	GND	Reference potential, ground
ASCL	Asynchronous sensorless closed loop	GTR7	Braking transistor
Auto motor ident.	Automatically motor identification; calibration of resistance and inductance	HF filter	KEB specific term for an EMC filter (for description see EMC filter).
AWG	American wire gauge	Hiperface	Bidirectional encoder interface of the company Sick-Stegmann
B2B	Business-to-business	HMI	Human machine interface (touch screen)
BiSS	Open source real-time interface for sensors and actuators (DIN 5008)	HSP5	Fast, serial protocol
CAN	Fieldbus system	HTL	Incremental signal with an output voltage (up to 30V) -> TTL
c.d.f.	Cyclic duration factor	IEC	IEC xxxxx stands for an international standard of the International Electrotechnical Commission
CDM	Complete drive module including auxiliary equipment (control cabinet)	IPxx	Protection class (xx for class)
COMBIVERT	KEB drive controller	KEB product	The KEB product is subject of this manual
COMBIVIS	KEB start-up and parameterizing software	KTY	Silicium temperature sensor (polarized)
Customer	The customer has purchased a KEB product from KEB and integrates the KEB product into his product (customer product) or resells the KEB product (dealer)	Manufacturer	The manufacturer is KEB, unless otherwise specified (e.g. as manufacturer of machines, engines, vehicles or adhesives)
DC	DC current or voltage	MCM	American unit for large wire cross sections
DI	Demineralized water, also referred to as deionized (DI) water	Modulation	Means in drive technology that the power semiconductors are controlled
DIN	German Institut for standardization	MTTF	Mean service life to failure
DS 402	CiA DS 402 - CAN device profile for drives	NHN	Standard elevation zero; based on the specified height definition in Germany (DHHN2016). The international data generally deviate from this by only a few cm to dm, so that the specified value can be applied to the regionally applicable definition.
ELV	Extra-low voltage	OC	Overcurrent
EMC filter	EMC filters are used to suppress conducted interferences in both directions between the drive controller and the mains	OH	Overheat
Emergency stop	Shutdown of a drive in emergency case (not de-energized)	OL	Overload
Emergency switching off	Switching off the voltage supply in emergency case		
EMS	Energy Management System		
EN	European standard		

GLOSSARY

OSSD	Output signal swithching device; - an output signal that is checked in regular intervals on its shutdown. (safety technology)
PDS	Power drive system incl. motor and measuring probe
PE	Protective earth
PELV	Protective Extra Low Voltage
PFD	Term used in the safety technology (EN 61508-1...7) for the size of error probability
PFH	Term used in the safety technology (EN 61508-1...7) for the size of error probability per hour
PLC	Programmable logic controller
Pt100	Temperature sensor with R0=100Ω
Pt1000	Temperature sensor with R0=1000Ω
PTC	PTC-resistor for temperature detection
PWM	Pulse width modulation
RJ45	Modular connector with 8 lines
SCL	Synchronous sensorless closed loop
SELV	Safe extra-low voltage, unearthed
SIL	The safety integrity level is a measure for quantifying the risk reduction. Term used in the safety technology (EN 61508 -1...7)
SS1	Safety function „Safe stop 1“ in accordance with IEC 61800-5-2
SSI	Synchronous serial interface for encoder
STO	Safety function „Safe Torque Off“ in accordance with IEC 61800-5-2
TTL	Logic with 5 V operating voltage
USB	Universal serial bus
VARAN	Real-time Ethernet bus system

Standards for drive controllers

Product standards that apply directly to the drive controller

EN61800-2	Adjustable speed electrical power drive systems - Part 2: General requirements - Rating specifications for low voltage adjustable frequency a.c. power drive systems (VDE 0160-102, IEC 61800-2)
EN61800-3	Speed-adjustable electrical drives. Part 3: EMC requirements and specific test methods (VDE 0160-103, IEC 61800-3)
EN61800-5-1	Adjustable speed electrical power drive systems - Part 5-1: Safety requirements - Electrical, thermal and energy (IEC 61800-5-1); German version EN 61800-5-1
EN61800-5-2	Adjustable speed electrical power drive systems - Part 5-2: Safety Requirements - Functional (IEC 22G/264/CD)
UL61800-5-1	American version of the IEC 61800-5-1 with „National Deviations“ for USA and Canada
EN61800-9-2	Adjustable speed electrical power drive systems - Part 9-2: Ecodesign for power drive systems, motor starters, power electronics and their driven applications - Energy efficiency indicators for power drive systems and motor starters

Basic standards to which drive controller standards refer directly

EN55011	Industrial, scientific and medical equipment - Radio frequency disturbance characteristics - Limits and methods of measurement (IEC 55011/CISPR 11); German version EN 55011
EN60529	Degrees of protection provided by enclosures (IP Code) (IEC 60529)
EN60664-1	Insulation coordination for equipment within low-voltage systems Part 1: Principles, requirements and tests (IEC 60664-1)
EN60721-3-1	Classification of environmental conditions - Part 3-1: Classification of groups of environmental parameters and their severities - Section 1: Storage (IEC 60721-3-1); German version EN 60721-3-1
EN60721-3-2	Classification of environmental conditions - Part 3: Classification of groups of environmental parameters and their severities - Section 2: Transportation and handling (IEC 104/670/CD)
EN60721-3-3	Classification of environmental conditions - Part 3: Classification of groups of environmental parameters and their severities; section 3: Stationary use at weatherprotected locations; Amendment A2 (IEC 60721-3-3); German version EN 60721-3-3 1994)
EN61000-2-1	Electromagnetic compatibility (EMC) - Part 2: Environment - Section 1: Description of the environment - Electromagnetic environment for low-frequency conducted disturbances and signalling in public power supply systems (IEC 61000-2-1)
EN61000-2-4	Electromagnetic compatibility (EMC) - Part 2-4: Environment; Compatibility levels in industrial plants for low-frequency conducted disturbances (IEC 61000-2-4); German version EN 61000-2-4
EN61000-4-2	Electromagnetic compatibility (EMC) - Part 4-2: Testing and measurement techniques - Electrostatic discharge immunity test (IEC 61000-4-2); German version EN 61000-4-2
EN61000-4-3	Electromagnetic compatibility (EMC) - Part 4-3: Testing and measurement techniques - Radiated, radio-frequency, electromagnetic field immunity test (IEC 61000-4-3); German version EN 61000-4-3
EN61000-4-4	Electromagnetic compatibility (EMC) - Part 4-4: Testing and measurement techniques - Electrical fast transient/burst immunity test (IEC 61000-4-4); German version EN 61000-4-4

STANDARDS FOR DRIVE CONTROLLERS

EN61000-4-5	Electromagnetic compatibility (EMC) - Part 4-5: Testing and measurement techniques - Surge immunity test (IEC 61000-4-5); German version EN 61000-4-5
EN61000-4-6	Electromagnetic compatibility (EMC) - Part 4-6: Testing and measurement techniques - Immunity to conducted disturbances, induced by radio-frequency fields (IEC 61000-4-6); German version EN 61000-4-6
EN61000-4-34	Electromagnetic compatibility (EMC) - Part 4-34: Testing and measurement techniques - Voltage dips, short interruptions and voltage variations immunity tests for equipment with mains current more than 16 A per phase (IEC 61000-4-34); German version EN 61000-4-34
EN61508-1...7	Functional safety of electrical/electronic/programmable electronic safety-related systems – Part 1...7 (VDE 0803-1...7, IEC 61508-1...7)
EN62061	Safety of machinery - functional safety of electrical, electronic and programmable electronic safety-related systems (VDE 0113-50, IEC 62061)
EN ISO 13849-1	Safety of machinery - safety-related parts of control systems - Part 1: General principles for design (ISO 13849-1); German version EN ISO 13849-1

Standards that are used in the environment of the drive controller

DGUV regulation 3	Electrical installations and equipment
DNVGL-CG-0339	Environmental test specification for electrical, electronic and programmable equipment and systems
EN 1037	Safety of machinery - Prevention of unexpected start-up; German version EN 1037
EN 12502-1...5	Protection of metallic materials against corrosion - Part 1...5
EN60204-1	Safety of machinery - electrical equipment of machines Part 1: General requirements (VDE 0113-1, IEC 44/709/CDV)
EN60439-1	Low-voltage switchgear and controlgear assemblies - Part 1: Type-tested and partially type-tested assemblies (IEC 60439-1); German version EN 60439-1
EN 60947-7-1	Low-voltage switchgear and controlgear - Part 7-1: Ancillary equipment - Terminal blocks for copper conductors (IEC 60947-7-1:2009); German version EN 60947-7-1:2009
EN 60947-8	Low-voltage switchgear and controlgear - Part 8: Control units for built-in thermal protection (PTC) for rotating electrical machines (IEC 60947-8:2003 + A1:2006 + A2:2011)
EN61373	Railway applications - Rolling stock equipment - Shock and vibration tests (IEC 61373); German version EN 61373
EN61439-1	Low-voltage switchgear and controlgear assemblies - Part 1: General rules (IEC 121B/40/CDV); German version FprEN 61439-1
VGB S 455 P	Water treatment and use of materials in cooling systems
VDE 0100	Erection of low-voltage systems – Compliance with all parts (IEC 60364-x-x)
DIN EN 60939-1	Passive filter units for electromagnetic interference suppression - Part 1: Generic specification (IEC 60939-1:2010); German version EN 60939-1:2010

1 Basic Safety Instructions

The products are designed and constructed in accordance with state-of-the-art technology and the recognized safety rules and regulations. However, the use of such devices may cause functional hazards for life and limb of the user or third parties, or damages to the system and other material property.

The following safety instructions have been created by the manufacturer for the area of electric drive technology. They can be supplemented by local, country- or application-specific safety instructions. This list is not exhaustive. Violation of the safety instructions by the customer, user or other third party leads to the loss of all resulting claims against the manufacturer.

NOTICE



Hazards and risks through ignorance!

- ▶ Read the instructions for use!
- ▶ Observe the safety and warning instructions!
- ▶ If anything is unclear, please contact KEB Automation KG!

1.1 Target group

This instruction manual is determined exclusively for electrical personnel. Electrical personnel for the purpose of this instruction manual must have the following qualifications:

- Knowledge and understanding of the safety instructions.
- Skills for installation and assembly.
- Start-up and operation of the product.
- Understanding of the function in the used machine.
- Detection of hazards and risks of the electrical drive technology.
- Knowledge of *VDE 0100*
- Knowledge of national safety regulations.

1.2 Transport, storage and proper use

The transport is carried out by qualified persons in accordance with the environmental conditions specified in this manual. Drive controller shall be protected against excessive strains.



Transport of drive controllers with an edge length >75 cm

The transport by forklift without suitable tools can cause a deflection of the heat sink. This leads to premature aging or destruction of internal components.

- ▶ Transport of drive controllers on suitable pallets.
- ▶ Do not stack drive controllers or burden them with other heavy objects.

NOTICE

Damage to the coolant connections

Bending of the tubes!

- ▶ Never place the device on the coolant connections



Drive controllers contain electrostatic sensitive components.

- ▶ Avoid contact.
 - ▶ Wear ESD-protective clothing.
-

Do not store drive controllers

- in the environment of aggressive and/or conductive liquids or gases.
- with direct sunlight.
- outside the specified environmental conditions.

1.3 Installation

⚠ DANGER



Do not operate in an explosive environment!

- ▶ The product is not intended for the use in potentially explosive environment.
-

⚠ CAUTION



Design-related edges and high weight!

Contusions and bruises!

- ▶ Never stand under suspended loads.
 - ▶ Wear safety shoes.
 - ▶ Secure drive controller accordingly when using lifting gear.
-

To prevent damages to the device:

- Make sure that no components are bent and/or isolation distances are changed.
- The device must not be put into operation in case of mechanical defects.
- Do not allow moisture or mist to penetrate the unit.
- Avoid dust permeating the device. Allow for sufficient heat dissipation if installed in a dust-proof housing.
- Note installation position and minimum distances to surrounding elements. Do not cover the ventilation openings.
- Mount the drive controller according to the specified degree of protection.
- Make sure that no small parts fall into the COMBIVERT during assembly and wiring (drilling chips, screws etc.). This also applies to mechanical components, which can lose small parts during operation.
- Check the reliable fit of the device connections in order to avoid contact resistances and sparking.
- Do not walk-on drive controller.
- Follow all safety instructions!

1.4 Electrical connection

DANGER

Voltage at the terminals and in the device!

Danger to life due to electric shock !

- ▶ Never work on the open device or never touch exposed parts.
- ▶ For any work on the unit switch off the supply voltage, secure it against switching on and check absence of voltage by measuring at the input terminals.
- ▶ Wait until all drives has been stopped in order that no regenerative energy can be generated.
- ▶ Await capacitor discharge time (5 minutes). Check absence of voltage by measuring at the DC terminals.
- ▶ If personal protection is required, install suitable protective devices for drive converters.
- ▶ Never bridge upstream protective devices (even for testing purposes).
- ▶ Connect the protective earth conductor always to drive converter and motor.
- ▶ Install all required covers and protective devices for operation.
- ▶ The control cabinet shall be kept closed during operation.
- ▶ Residual current: This product may cause a dc current in the protective earth conductor. When a residual current protective device (RCD) or a residual current monitoring device (RCM) is used for the protection against direct or indirect contact, only a RCD or RCM type B is permitted on the power supply side of this product.
- ▶ Drive converters with a leakage current $> 3.5 \text{ mA AC}$ current (10 mA DC current) are intended for a stationary connection. Protective earth conductors must be designed in accordance with the local regulations for equipment with high leakage currents according to *EN 61800-5-1*, *EN 60204-1* or *VDE 0100*.



If personnel protection is required during installation of the system, suitable protective devices must be used for drive controllers.

www.keb.de/fileadmin/media/Techinfo/dr/tn/ti_dr_tn-rcd-00008_en.pdf



Installations which include drive controller shall be equipped with additional control and protective devices in accordance with the relevant applicable safety requirements, e.g. act respecting technical equipment, accident prevention rules etc. They must always be complied with, also for drive controller bearing a CE marking.

For a trouble-free and safe operation, please pay attention to the following instructions:

- The electrical installation shall be carried out in accordance with the relevant requirements.
- Cable cross-sections and fuses must be dimensioned by the user according to the specified minimum/maximum values for the application.
- Connection of the drive converter is only permissible on symmetrical networks with a maximum line voltage (L1, L2, L3) with respect to earth (N/PE) of max. 300V, USA UL: 480 / 277V. An isolating transformer must be used for supply networks which exceed this value! In case of non-compliance the control is not longer considered to be a PELV circuit.
- With existing or newly wired circuits the person installing the units or machines must ensure that the PELV requirements are met.
- For drive converters that are not isolated from the supply circuit (in accordance with [EN 60721-3-2](#)) all control lines must be included in other protective measures (e.g. double insulation or shielded, earthed and insulated).
- When using components without isolated inputs/outputs, it is necessary that equipotential bonding exists between the components to be connected (e.g. by the equipotential line). Disregard can cause destruction of the components by equalizing currents.

1.4.1 EMC-compatible installation

Observance of the limit values required by EMC law is the responsibility of the customer.



Notes on EMC-compatible installation can be found here.
www.keb.de/fileadmin/media/Manuals/dr/emv/0000neb0000.pdf



1.4.2 Voltage test

Testing with AC voltage (in accordance with [EN 60204-1](#) chapter 18.4) may not be executed, since there is danger for the power semiconductors in the drive controller.



Due to the radio interference suppression capacitors, the test generator will switch off immediately with a current fault.



According to [EN 60204-1](#) it is permissible to disconnect already tested components. Drive controllers of the KEB Automation KG are delivered ex works voltage tested to 100% according to product standard.

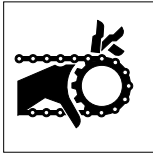
1.4.3 Insulation measurement

An insulation measurement (in accordance with [EN 60204-1](#) chapter 18.3) with DC 500V is permissible, if all power unit connections (grid-connected potential) and all control connections are bridged with PE. The insulation resistance of the respective device can be found in the technical data.

1.5 Start-up and operation

The start-up (i.e. for the specified application) is forbidden until it is determined that the installation complies with the machine directive; account is to be taken of [EN 60204-1](#).

⚠ WARNING



Software protection and programming!

Hazards caused by unintentional behavior of the drive!

- ▶ Check especially during initial start-up or replacement of the drive controller if parameterization is compatible to application.
- ▶ Securing a unit solely with software-supported functions is not sufficient. It is imperative to install external protective measures (e.g. limit switch) that are independent of the drive controller.
- ▶ Secure motors against automatic restart.

⚠ CAUTION



High temperatures at heat sink and coolant!

Burning of the skin!

- ▶ Cover hot surfaces safe-to-touch.
- ▶ If necessary, attach warning signs on the system.
- ▶ Before touching, check the surface and coolant lines.
- ▶ Before working let the unit cool down.

- During operation, all covers and doors shall be kept closed.
- Use only approved accessories for this device.
- Never touch terminals, busbars or cable ends.

⚠ CAUTION



High sound level during operation!

Hearing damage possible!

- ▶ Wear hearing protection!

NOTICE

Continuous operation (S1) with load > 60% or from a rated motor power of 55 kW!

Premature ageing of the electrolytic capacitors!

- ▶ Mains choke with $U_k = 4\%$ absolutely necessary.



If a drive controller with electrolytic capacitors in a DC link has not been in operation for more than one year, observe the following instructions.

www.keb.de/fileadmin/media/Techinfo/dr/tn/ti_dr_tn-format-capacitors-00009_en.pdf



Switching at the output

Switching between motor and drive controller is prohibited for single drives during operation as this may trigger the protection gear of the device. Function ‚speed search‘ must be activated if switching can not be avoided. Speed search may only be triggered after closing the motor contactor (e.g. by switching the control release).

Connecting and disconnecting is permissible with multiple motor drives if at least 1 motor is running during the switch-over process. The drive controller must be dimensioned to the occurring starting currents.

The ‚speed search‘ function must be activated if the motor is still running during a restart of the drive controller (mains on) (e.g. due to large rotating masses).

Switching at the input

For applications that require cyclic switching off and on of the drive controller, maintain an off-time of at least 5 min after the last switch on. If you require shorter cycle times please contact KEB Automation KG.

Short-circuit resistance

The drive converters are conditional short-circuit proof. After resetting the internal protection devices, the function as directed is guaranteed.

Exceptions:

- If an earth-leakage fault or short-circuit often occurs at the output, this can lead to a defect in the unit.
- If a short-circuit occurs during regenerative operation (2nd or 4th quadrant, regeneration into the DC link), this can lead to a defect in the unit.

1.6 Maintenance

The following maintenance work has to be carried out when required, but at least once per year by authorized and trained personnel. Check unit for loose screws and plugs and tighten if necessary.

- ▶ Check system for loose screws and plugs and tighten if necessary.
- ▶ Clean drive controller from dirt and dust deposits. Pay attention especially to cooling fins and protective grid of the fans.
- ▶ Examine and clean extracted air filter and cooling air filter of the control cabinet.
- ▶ Check the function of the fans of the drive controller. The fan must be replaced in case of audible vibrations or squeak.
- ▶ In the case of liquid-cooled drive controllers a visual test of the cooling circuit for leaks and corrosion must be carried out. The cooling circuit must be completely empty if a unit shall be switched off for a longer period. The cooling circuit must be blown out additionally with compressed air at temperatures below 0°C.

1.7 Repair

In case of malfunction, unusual noises or smells inform a person in charge!

DANGER



Unauthorized exchange, repair and modifications!

Unpredictable malfunctions!

- ▶ The function of the drive controller is dependent on its parameterization. Never replace without knowledge of the application.
- ▶ Modification or repair is permitted only by KEB Automation KG authorized personnel.
- ▶ Only use original manufacturer parts.
- ▶ Infringement will annul the liability for resulting consequences.

In case of failure, please contact the machine manufacturer. Only the machine manufacturer knows the parameterisation of the used drive controller and can provide an appropriate replacement or induce the maintenance.

1.8 Disposal

Electronic devices of the KEB Automation KG are exclusively professional devices for further industrial processing (so-called B2B devices).

Manufacturers of B2B devices are obliged to take back and recycle devices manufactured after 14.08.2018. These devices may not be disposed at the collection centres of public sector disposal organisations.



If no deviating agreement has been made between the customer and KEB or no deviating mandatory legal regulation exists, KEB products marked in this way can be returned. Company and keyword to the return point can be taken from the list below. Shipping costs are paid by the customer. Thereupon the devices will be professionally recycled and disposed.

The entry numbers are listed country-specific in the following table. The corresponding KEB return addresses can be found on our website.

Withdrawal by	WEEE-Reg.-No.	Keyword
Austria		
KEB Automation GmbH	ERA: 51976	Stichwort „Rücknahme WEEE“
France		
RÉCYLUM - Recycle point	ADEME: FR021806	Mots clés „KEB DEEE“
Germany		
KEB Automation KG	EAR: DE12653519	Stichwort „Rücknahme WEEE“
Italy		
COBAT	AEE: (IT) 19030000011216	Parola chiave „Ritiro RAEE“
Spain		
KEB Automation KG	RII-AEE 7427	Palabra clave „Retirada RAEE“
Česko		
KEB Automation KG	RETELA 09281/20 ECZ	Klíčové slovo: Zpětný odběr OEEZ
Slowakei		
KEB Automation KG	ASEKOL: RV22EEZ0000421	Klíčové slovo: "Spätný odber OEEZ"

The packaging must be feed to paper and cardboard recycling.

2 Product Description

The device series COMBIVERT F6 concerns to drive controllers, which are optimized for operation at synchronous and asynchronous motors.

The COMBIVERT can be extended with a safety module for the use in safety-oriented applications. The COMBIVERT F6 series are drive converters with functional safety, optimized for operation at synchronous and asynchronous motors.

Various safety functions are available for different applications. It can be operated with a fieldbus module at different fieldbus systems. The control board has a system comprehensive operating concept.

The COMBIVERT complies with the requirements of the Machinery Directive. The possible functions are certified via a type test.

The COMBIVERT is a product of limited availability in accordance with [EN 61800-3](#). This product may cause radio interference in residential areas. In this case the operator may need to take corresponding measures.

The Machinery Directive, EMC Directive, Low Voltage Directive and other directives and regulations must be observed

2.1 Specified application

The COMBIVERT serves exclusively for the control and regulation of three-phase motors. It is intended for the installation into electrical systems or machines in the industrie.

Technical data and information for connection conditions shall be taken from the nameplate and from the instructions for use and must be strictly observed.

The used semiconductors and components of the KEB Automation KG are developed and dimensioned for the use in industrial products.

Restriction

If the product is used in machines, which work under exceptional conditions or if essential functions, life-supporting measures or an extraordinary safety step must be fulfilled, the necessary reliability and security must be ensured by the machine builder.

2.1.1 Residual risks

Despite intended use, the drive converter can reach unexpected operating conditions in case of error, with wrong parameterization, by faulty connection or unprofessional interventions and repairs. This can be:

- wrong direction of rotation
- motor speed too high
- motor is running into limitation
- motor can be under voltage even in standstill
- automatic start

2.2 Unintended use

The operation of other electric consumers is prohibited and can lead to the destruction of the devices. The operation of our products outside the indicated limit values of the technical data leads to the loss of any liability claims.

2.3 Product features

This instruction manual describes the power circuits of the following devices:

Device type:	Drive controller
Series:	COMBIVERT F6
Power range:	45...55 kW / 400V 22...30 kW / 230V
Housing	6 Peak Power

The COMBIVERT F6 is characterized by the following features:

- Operation of three-phase asynchronous motors and three-phase synchronous motors, in operating modes open-loop or closed-loop with and without speed feedback
- Following fieldbus systems are supported:
EtherCAT, VARAN, PROFINET, POWERLINK or CAN
- System-overlapping operating concept
- Wide operating temperature range
- Low switching losses by IGBT power unit
- Low noise development due to high switching frequencies
- Different heat sink concepts
- Temperature-controlled fan, easily replaceable
- Torque limits and s-curves are adjustable to protect gearboxes
- General protection functions of the COMBIVERT series against overcurrent, over-voltage, ground fault and overtemperature
- Analog inputs and outputs, digital inputs and outputs, relay output (potential-free), brake control and -supply, motor protection by I²t, KTY- or PTC input, two encoder interfaces, diagnostic interface, fieldbus interface (depending on the control board)
- Integrated safety function according to [EN 61800-5-2](#)

2.4 Part code

xx F6 xx-x-xx

Heat sink version

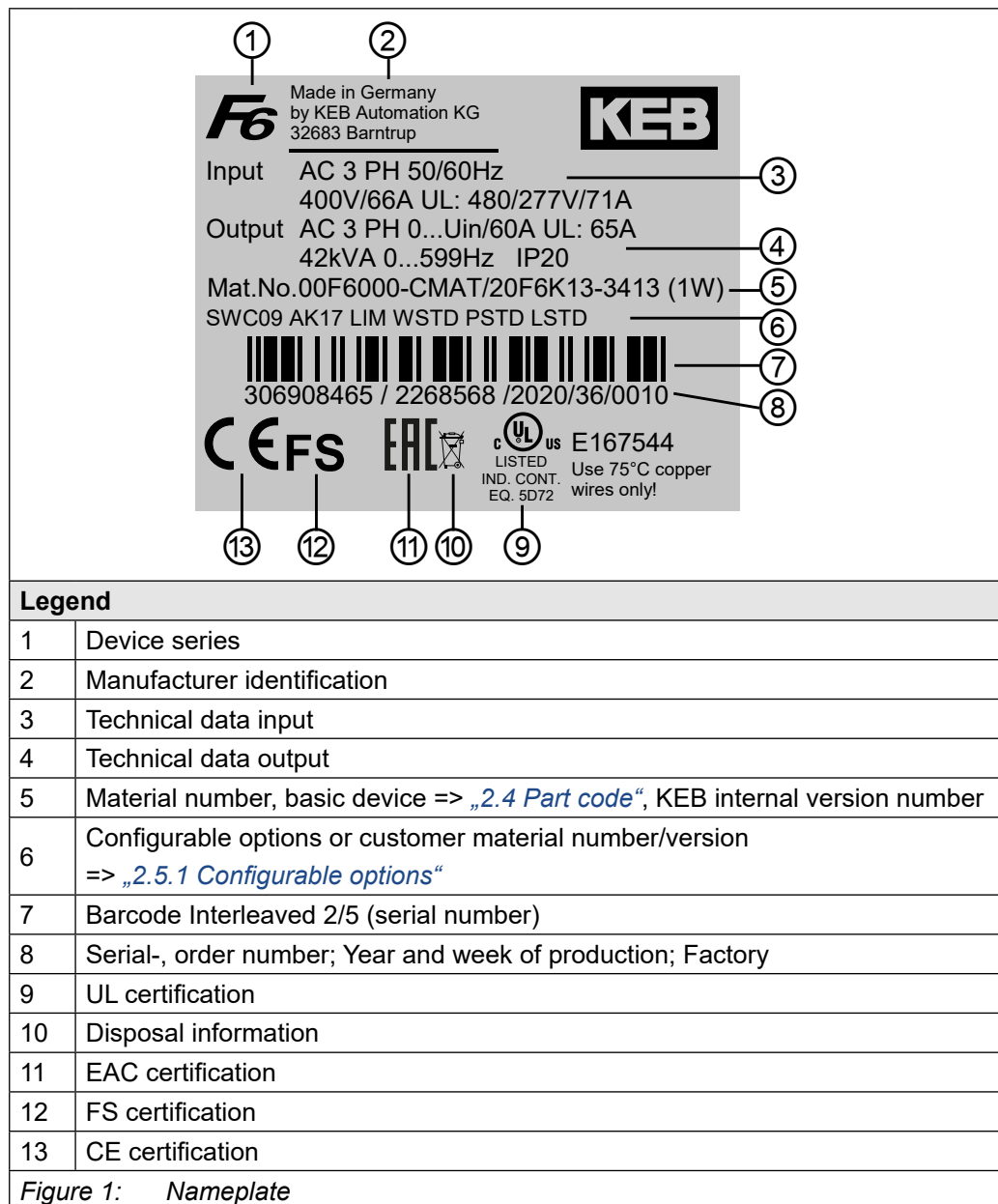
1: Air-cooler, mounted version
2: Liquid cooler (water), mounted version
3: Air-cooler, through-mount version IP54-ready
4: Liquid cooler (water), through-mount version IP54-ready
5: Air-cooler, through-mount version IP20
6: Liquid cooler (water), trough-mount version IP54-ready, sub-mounted braking resistors
7: Liquid cooler (oil), through-mount version IP54-ready
8: Liquid cooler (oil), through-mount version IP54-ready, sub-mounted braking resistors
9: Liquid cooler (water), mounted version, sub-mounted braking resistors
A: Liquid cooler (water), mounted version, High Performance, sub-mounted braking resistors
B: Liquid cooler (water), through-mount version, IP54-ready, High Performance, sub-mounted braking resistors
C: Air-cooler, mounted version, Version 2
D: Air-cooler, mounted version, High-Performance
E: Liquid cooler (water), mounted version, High-Performance
F: Air-cooler, through-mount version IP54-ready, High-Performance
G: Liquid cooler (water), trough-mount version IP54-ready, High-Performance
H: Air-cooler,, Convektion, trough-mount version IP54-ready

Control board variant

APPLIKATION
1: Multi Encoder Interface, CAN ^{® 2)} , Real-Time Ethernet-busmodule ³⁾
B Multi Encoder Interface, CAN ^{® 2)} , Real-Time Ethernet-busmodule ³⁾ , Alternative connector
KOMPAKT
1: Multi Encoder Interface, CAN ^{® 2)} , STO, EtherCAT ^{® 1)}
2: Multi Encoder Interface, CAN ^{® 2)} , STO, VARAN
PRO
0: No Encoder, CAN ^{® 2)} , Real-Time Ethernetinterface ³⁾
1: Multi Encoder Interface, CAN ^{® 2)} , Real-Time Ethernet interface ³⁾
3: Multi Encoder Interface, CAN ^{® 2)} , Real-Time Ethernet interface ³⁾ , RS485-potential free
4: No Encoder, CAN ^{® 2)} , Real-Time Ethernetinterface ³⁾ , safe relay
5: Multi Encoder Interface, CAN ^{® 2)} , Real-Time Ethernet interface ³⁾ , safety relay
B: Multi Encoder Interface, CAN ^{® 2)} , Real-Time Ethernet interface ³⁾ , alternative connector

continued on the next page

2.5 Nameplate



2.5.1 Configurable options

Features	Feature values	Description
Software	SWxxx ¹⁾	Software status of the drive converter
Accessories	Axxx ¹⁾	Selected accessories
	NAK	No accessories
Output frequency activation	LIM	Limitation to 599 Hz
	ULO	> 599Hz activated
Warranty	WSTD	Warranty - Standard
	Wxxx ¹⁾	Warranty extension
Parameterization	PSTD	Parameterization - Standard
	Pxxx ¹⁾	Parameterization - Customer-specific
Nameplate logo	LSTD	Logo - Standard
	Lxxx ¹⁾	Logo - Customer-specific
<i>Figure 2: Configurable options</i>		

¹⁾ „x“ indicates a variable value

3 Technical data

Unless otherwise indicated, all electrical data in the following chapter refer to a 3-phase AC mains.

3.1 Operating conditions

3.1.1 Climatic environmental conditions

Storage		Standard	Class	Descriptions
Ambient temperature		EN 60721-3-1	1K4	-25...55 °C
Relative humidity		EN 60721-3-1	1K3	5...95 % (without condensation)
Storage height		–	–	Max. 3000 m above sea level
Transport		Standard	Class	Descriptions
Ambient temperature		EN 60721-3-2	2K3	-25...70 °C
Relative humidity		EN 60721-3-2	2K3	95 % at 40 °C (without condensation)
Operation		Standard	Class	Descriptions
Ambient temperature		EN 60721-3-3	3K3	5...40 °C (extended to -10...45 °C)
Coolant inlet temperature	Air	–	–	5...40 °C (extended to -10...45 °C)
Relative humidity		EN 60721-3-3	3K3	5...85 % (without condensation)
Version and degree of protection		EN 60529	IP20	Protection against foreign material > ø12.5 mm No protection against water Non-conductive pollution, occasional condensation when PDS is out of service. Drive controller generally, except power connections and fan unit (IPxxA)
Site altitude		–	–	Max. 2000 m above sea level • With site altitudes over 1000 m a derating of 1 % per 100 m must be taken into consideration. • With site altitudes over 2000 m, the control board to the mains has only basic isolation. Additional measures must be taken when wiring the control.

Table 2: Climatic environmental conditions

3.1.2 Mechanical environmental conditions

Storage		Standard	Class	Descriptions
Vibration limits		EN 60721-3-1	1M2	Vibration amplitude 1.5 mm (2...9Hz) Acceleration amplitude 5 m/s ² (9...200Hz)
Shock limit values		EN 60721-3-1	1M2	40 m/s ² ; 22 ms
Transport		Standard	Class	Descriptions
Vibration limits		EN 60721-3-2	2M1	Vibration amplitude 3.5 mm (2...9Hz) Acceleration amplitude 10 m/s ² (9...200Hz) (acceleration amplitude 15 m/s ² (200...500Hz)) ¹⁾
Shock limit values		EN 60721-3-2	2M1	100 m/s ² ; 11 ms
Operation		Standard	Class	Descriptions
Vibration limits		EN 60721-3-3	3M4	Vibration amplitude 3.0 mm (2...9Hz) Acceleration amplitude 10 m/s ² (9...200Hz)
		EN 61800-5-1	–	Vibration amplitude 0.075 mm (10...57 Hz) Acceleration amplitude 10 m/s ² (57...150 Hz)
Shock limit values		EN 60721-3-3	3M4	100 m/s ² ; 11 ms

Table 3: Mechanical environmental conditions

¹⁾ Not tested

3.1.3 Chemical / mechanical active substances

Storage		Standard	Class	Descriptions
Contamination	Gases	EN 60721-3-1	1C2	–
	Solids		1S2	–
Transport		Standard	Class	Descriptions
Contamination	Gases	EN 60721-3-2	2C2	–
	Solids		2S2	–
Operation		Standard	Class	Descriptions
Contamination	Gases	EN 60721-3-3	3C2	–
	Solids		3S2	–

Table 4: Chemical / mechanical active substances

3.1.4 Electrical operating conditions

3.1.4.1 Device classification

Requirement	Standard	Class	Descriptions
Overtoltage category	EN 61800-5-1	III	–
Pollution degree	EN 60664-1	2	Non-conductive pollution, occasional condensation when PDS is out of service

Table 5: Device classification

3.1.4.2 Electromagnetic compatibility

For devices without an internal filter, an external filter is required to comply with the following limits.

EMC emitted interference	Standard	Class	Descriptions
Conducted interference emission	EN 61800-3	C2 / C3	The specified value is only maintained in conjunction with a filter. Information on interference suppression (rated switching frequency, max. motor cable length) can be found in the corresponding filter instructions.
Radiated interferences	EN 61800-3	C2	–
		C3	Device size 22 only
Interference immunity	Standard	Level	Descriptions
Static discharges	EN 61000-4-2	8 kV 4 kV	AD (air discharge) CD (contact discharge)
Burst - Ports for process measurement control lines and signal interfaces	EN 61000-4-4	2 kV	–
Burst - AC - Power ports	EN 61000-4-4	4 kV	–
Surge - Power ports	EN 61000-4-5	1 kV 2 kV	Phase-phase Phase-ground
Conducted immunity, induced by high-frequency fields	EN 61000-4-6	10 V	0.15...80 MHz
Electromagnetic fields	EN 61000-4-3	10 V/m	80 MHz...1 GHz
		3 V/m	1.4...2 GHz
		1 V/m	2...2.7 GHz
Voltage fluctuations/ voltage dips	EN 61000-2-1 EN 61000-4-34	–	-15 %...+10 % Class 3
Frequency changes	EN 61000-2-4	–	≤ 2 %
Voltage deviations	EN 61000-2-4	–	±10 %
Voltage unbalances	EN 61000-2-4	–	≤ 3 %

Table 6: Electromagnetic compatibility

3.2 Device data of the 230 V Peak Power devices

3.2.1 Overview of 230 V Peak Power devices

The technical data are for 2/4-pole standard motors. With other pole numbers the drive controller must be dimensioned onto the rated motor current. Contact KEB for special or medium frequency motors.

Device size		18	19
Housing		6	
Rated apparent output power	S_{out} / kVA	36	46
Max. rated motor power	¹⁾ P_{mot} / kW	22	30
Rated input voltage	U_N / V	230 (UL: 240)	
Input voltage range	U_{in} / V	170...264	
Mains phases		3	
Mains frequency	f_N / Hz	50 / 60 ±2	
Rated input current @ $U_N = 230$ V	I_{in} / A	99	126
Rated input current @ $U_N = 240$ V	I_{in_UL} / A	99	126
Insulation resistance @ $U_{dc} = 500$ V	R_{iso} / MΩ	> 20	
Leakage current	I_{iso_ac} / mA	> 3.5	> 3.5
Output voltage	U_{out} / V	0... U_{in}	
Output frequency	²⁾ f_{out} / Hz	0...599	
Output phases		3	
Rated output current @ $U_N = 230$ V	I_N / A	90	115
Rated output current @ $U_N = 240$ V	I_{N_UL} / A	90	115
Rated output overload (60s)	^{3) 4)} I_{60s} / %	200	200
Software current limit	³⁾ I_{lim} / %	250	229
Overcurrent	³⁾ I_{OC} / %	300	275
Rated switching frequency	f_{SN} / kHz	8	8
Max. switching frequency	⁵⁾ f_{S_max} / kHz	16	16
Power dissipation at rated operation	¹⁾ P_D / W	920	1254
Overload current over time	³⁾ I_{OL} / %	=> „3.3.3.1 Overload characteristic (OL)“	
Maximum current 0Hz/50Hz at $f_s=2$ kHz	I_{out_max} / %	297 / 300	240 / 275
Maximum current 0Hz/50Hz at $f_s=4$ kHz	I_{out_max} / %	258 / 300	202 / 275
Maximum current 0Hz/50Hz at $f_s=8$ kHz	I_{out_max} / %	202 / 300	145 / 275
Maximum current 0Hz/50Hz at $f_s=16$ kHz	I_{out_max} / %	131 / 247	84 / 269

continued on the next page

Device size		18	19
Housing		6	
Max. braking current	I_{B_max} / A	168	168
Min. braking resistor value	R_{B_min} / Ω	2,5	2,5
Braking transistor	⁶⁾	Max. cycle time: 120s; Max c.d.f.: 50 %	
Protective function for braking transistor		Short-circuit monitoring	
Protection function braking resistor (Error GTR7 always on)	⁷⁾	Feedback signal evaluation and current shut-down	
Max. motor cable length shielded	⁸⁾ l / m	100	100

Table 7: Overview of the 230 V Peak Power device data

- ¹⁾ Rated operation corresponds to $U_N = 230V$, rated switching frequency, output frequency = 50Hz (4-pole standard asynchronous motor).
- ²⁾ The output frequency is to be limited in such a way that it does not exceed 1/10 of the switching frequency. Notice! Devices with a maximum output frequency higher than 599Hz are subject to export restrictions.
- ³⁾ The values refer in % to the rated output current I_N .
- ⁴⁾ Observe limitations „3.3.3.1 Overload characteristic (OL)“.
- ⁵⁾ A detailed description of the derating „3.4.1.1 Switching frequency and temperature of the 230 V Peak Power devices“.
- ⁶⁾ The cyclic duration factor is additionally limited by the used braking resistor.
- ⁷⁾ The feedback signal evaluation monitors the functionality of the braking transistor. The current is switched off via the internal mains input bridge of the AC supply.
- ⁸⁾ The maximum cable length depends on various factors. Further information can be found in the corresponding filter instructions.

3.2.2 Voltage and frequencies for 230V devices

Input voltages and frequencies		
Rated input voltage	U_N / V	230
Rated mains voltage (USA)	U_{N_UL} / V	240
Input voltage range	U_{IN} / V	170...264
Input phases		3
Mains frequency	f_N / Hz	50/60
Mains frequency tolerance	$\pm f_N / Hz$	2

Table 8: Input voltages and frequencies of the 230V devices

DC link voltage		
DC link rated voltage @ $U_N = 400V$	U_{N_dc} / V	325
DC link rated voltage @ $U_{N_UL} = 480V$	$U_{N_UL_dc} / V$	339
DC link voltage working voltage range	U_{IN_dc} / V	240...373

Table 9: DC link voltage for 230V devices

DEVICE DATA OF THE 230 V PEAK POWER DEVICES

Output voltages and frequencies		
Output voltage at AC supply	¹⁾ U_{out} / V	$0 \dots U_{in}$
Output frequency	²⁾ f_{out} / Hz	$0 \dots 599$
Output phase		3

Table 10: Output voltages and frequencies of the 230V devices

- ¹⁾ The voltage to the motor is dependent on the actual input voltage and the control method („Example of the calculation of the possible motor voltage 230V:“).
- ²⁾ The output frequency is to be limited in such a way that it does not exceed 1/10 of the switching frequency. Devices with a maximum output frequency higher than 599Hz are restricted for export.

3.2.2.1 Example of the calculation of the possible motor voltage 230V:

The motor voltage for dimensioning of the drive is depending on the used components. The motor voltage reduces according to the following table:

Component	Reduction / %	Example
Mains choke U_k	4	Example: open-loop drive converter with mains- and motor choke at non-rigid supply system: 230 V mains voltage - 11 % = 204,7 V motor voltage
Drive converter open-loop	4	
Drive converter closed-loop	8	
Motor choke U_k	1	
Non-rigid supply system	2	

Table 11: Example of the calculation of the possible motor voltage 230V:

3.2.3 Input and output currents/ overload

Device size		18	19
Rated input current @ $U_N = 230 V$	¹⁾ I_{in} / A	99	126
Rated input current @ $U_{N_UL} = 240 V$	¹⁾ I_{in_UL} / A	99	126
Rated output current @ $U_N = 230 V$	I_N / A	90	115
Rated output current @ $U_{N_UL} = 240 V$	I_{N_UL} / A	90	115
Rated output overload (60 s)	²⁾ $I_{60s} / \%$	200	200
Overload current	²⁾ $I_{OL} / \%$	=> „3.3.3.1 Overload characteristic (OL)“	
Software current limit	^{2) 3)} $I_{lim} / \%$	250	229
Overcurrent	²⁾ $I_{oc} / \%$	300	275

Table 12: Input and output currents / overload of the Peak Power devices

- ¹⁾ The values resulting from rated operation with B6 rectifier circuit and mains choke 4% U_k .
- ²⁾ The values refer in % to the rated output current I_N .
- ³⁾ Limitation of the current setpoint in closed-loop operation. This setpoint limit is not active in v/f operation.

3.2.3.1 Overload characteristic (OL) for 230 V devices

All drive controllers can be operated at rated switching frequency with an utilisation of 200 % for 60 s.

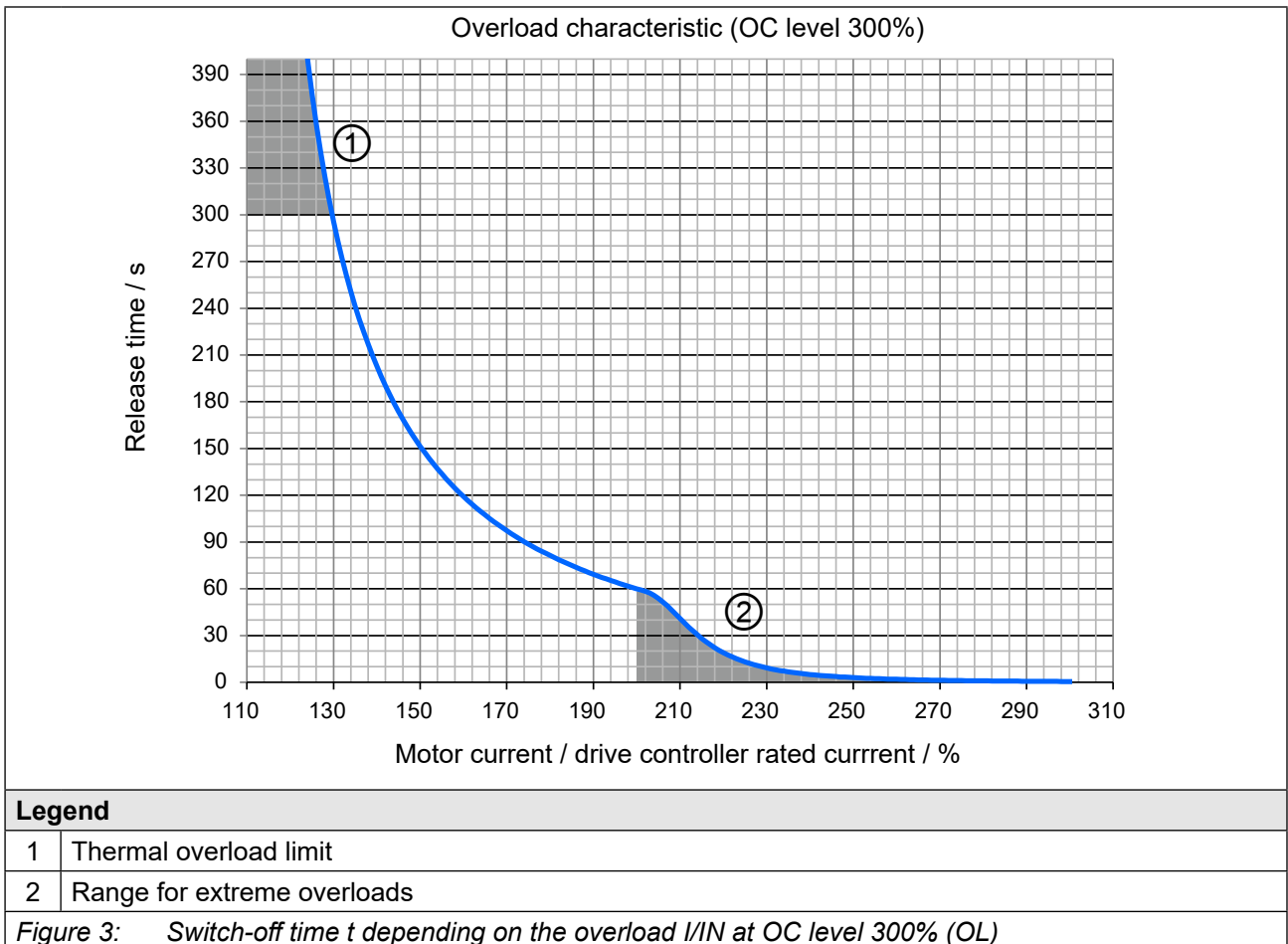
The OL overload function is a root mean square (RMS) function.

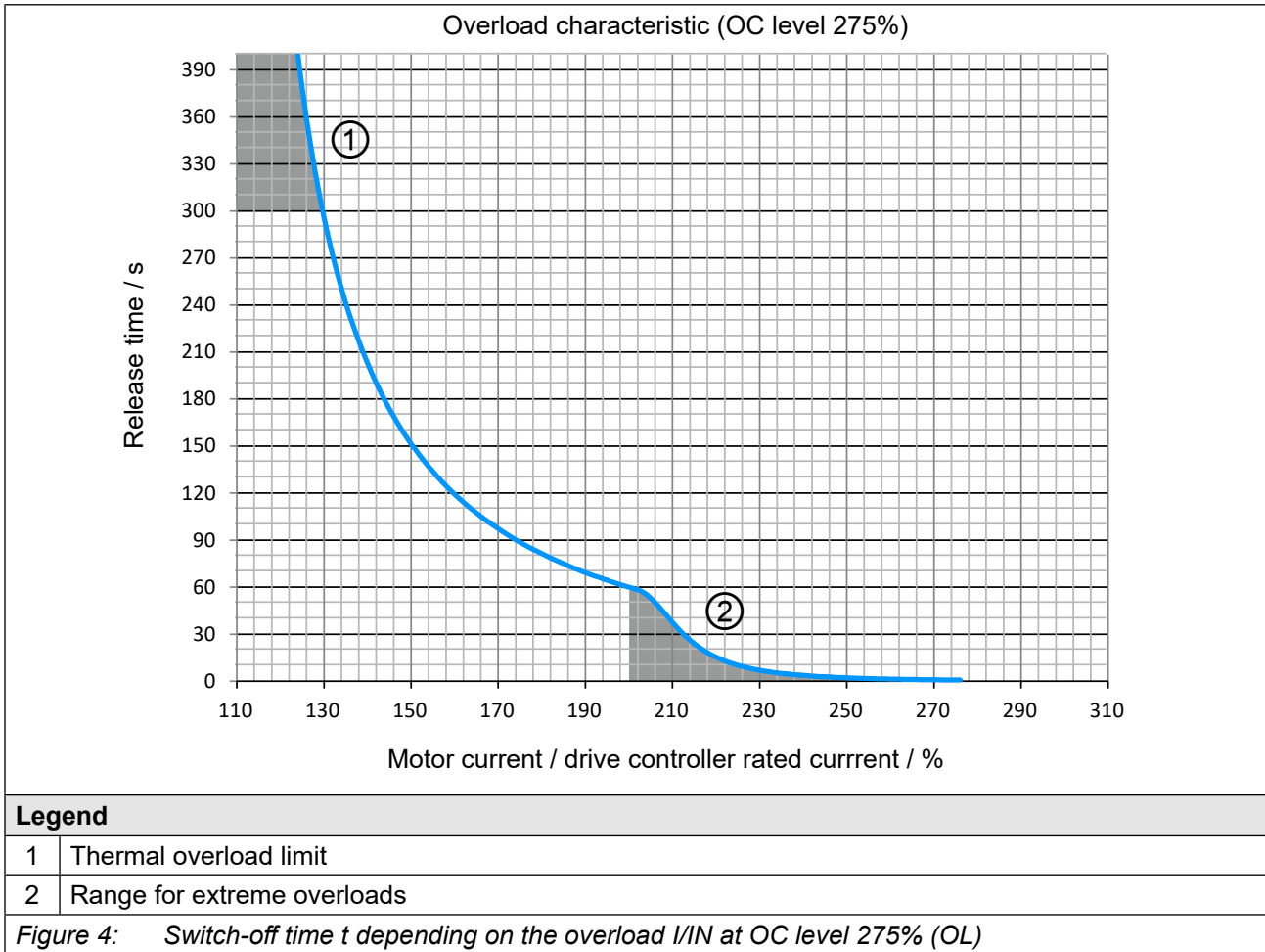
The greater the difference between the overload and underload phases, the greater the deviation of the RMS from the arithmetic mean value.

For extreme overloads (=>„Figure 3: Switch-off time *t* depending on the overload *I*/IN at OC level 300% (OL)“), the load is weighted more heavily. This means the load is provided with a factor for the calculation of the RMS value, by way that the overload protection function triggers, even if the RMS value does not reach 100%.

Restrictions:

- The thermal design of the heat sink is based on the rated operation. The following values are taken into account: rated output current, ambient temperature, rated switching frequency, rated voltage.
- At high ambient temperatures and/or high heat sink temperatures (for example, by preceding utilization nearby 100 %) the drive controller can change to overtemperature error before triggering the protective function OL.
- At low output frequencies or switching frequencies higher than the rated switching frequency, the frequency-dependent maximum current can be exceeded before and error OL2 can be triggered
=> „3.2.3.2 Frequency-dependent maximum current (OL2) for 230 V Peak Power devices“.





- On exceeding a load of 105 % the overload integrator starts.
- When falling below the integrator counts backwards.
- If the integrator achieves the overload characteristic "ERROR overload (OL)" is triggered.

After a cooling down period, the integrator can be reset now. The drive controller must remain switched on during the cooling down phase.

Operation in the range of the thermal overload limit

Due to the high steepness of the overload characteristic, the duration of a permissible overload in the range cannot be determined exactly. Therefore, the design of the drive controller should be assumed to have a maximum overload time of 300s.

3.2.3.2 Frequency-dependent maximum current (OL2) for 230 V Peak Power devices

The characteristics of the maximum currents for a switching frequency which are depending on the output frequency are different for each drive controller, but the following rules are generally applicable:

- Applies for the rated switching frequency: at 0 Hz output frequency the drive controller can provide at least the rated output current.
- Lower maximum currents apply for switching frequencies > rated switching frequency.

If error (OL2) shall be triggered on exceeding the maximum currents or if the switching frequency is automatically reduced (derating) can be adjusted in the drive controller parameters.

The following characteristic curve indicates the permissible maximum current for the output frequency values 0 Hz, 1,5 Hz, 3 Hz, 6 Hz, 10 Hz and 25 Hz. Device size 18 is represented exemplary.

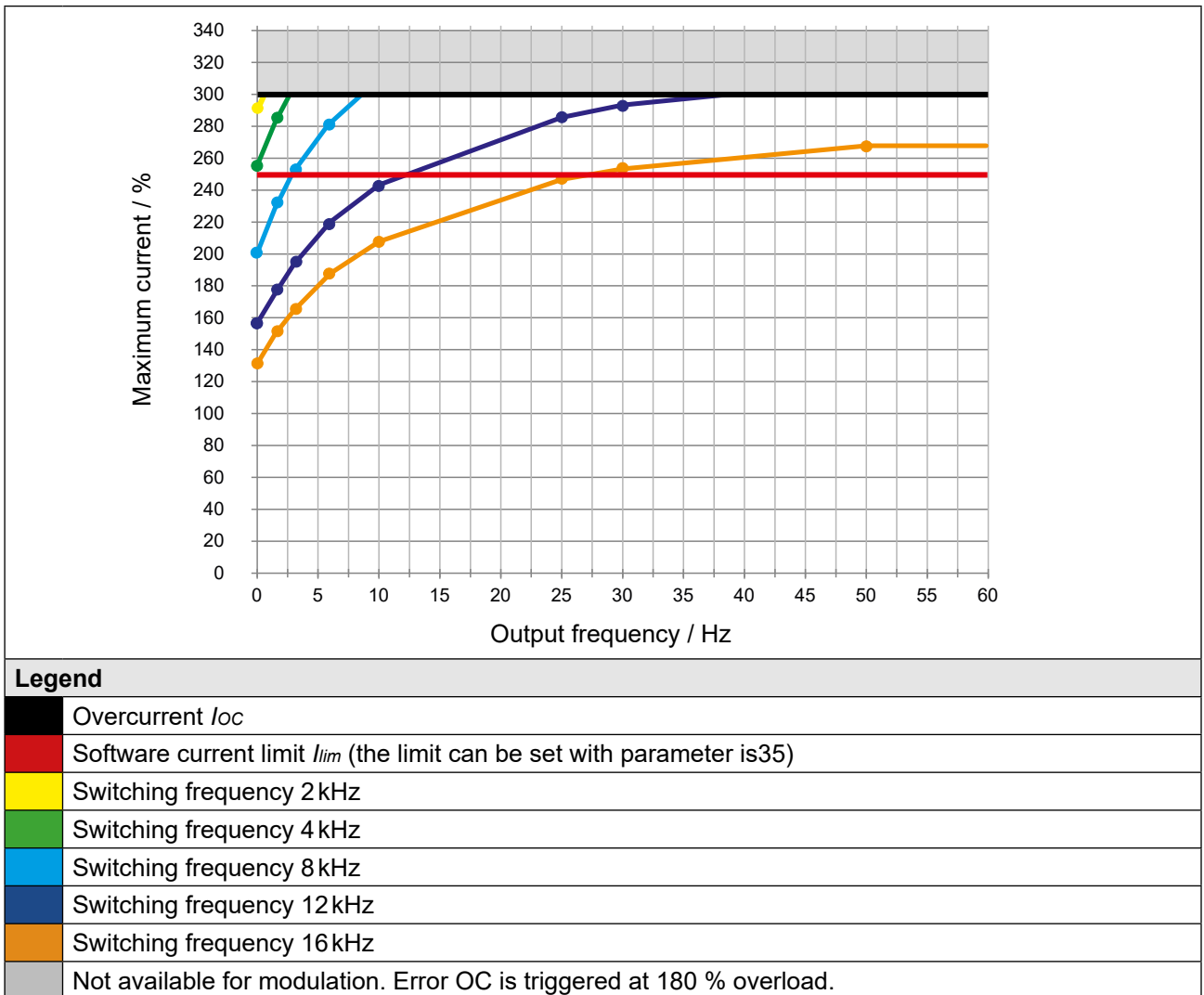


Figure 5: Typical overload characteristics in the lower output frequencies (OL2) Example 18 device



The frequency-dependent maximum current I_{out_max} refers in % to the rated output current I_N .

The current remains constant from the last specified output frequency value.



The values for the respective device size are listed in the following tables.

Frequency-dependent maximum current

Device size		18					
Rated switching frequency		8 kHz					
Output frequency	f_{out} / Hz	0	1,5	3	6	10	25
Frequency-dependent maximum current @ f_s I_{out_max} / % <i>Basic Time Period = 62.5 μs (Parameter is22=0)</i>	2 kHz	297	300	300	300	300	300
	4 kHz	258	286	300	300	300	300
	8 kHz	202	231	254	286	300	300
	16 kHz	131	150	164	188	208	247
Frequency-dependent maximum current @ f_s I_{out_max} / % <i>Basic Time Period = 71.4 μs (Parameter is22=1)</i>	1.75 kHz	297	300	300	300	300	300
	3.5 kHz	268	294	300	300	300	300
	7 kHz	216	245	268	300	300	300
	14 kHz	144	163	179	204	226	266
Frequency-dependent maximum current @ f_s I_{out_max} / % <i>Basic Time Period = 83.3 μs (Parameter is22=2)</i>	1.5 kHz	297	300	300	300	300	300
	3 kHz	277	300	300	300	300	300
	6 kHz	230	258	283	300	300	300
	12 kHz	157	176	193	220	243	286
Frequency-dependent maximum current @ f_s I_{out_max} / % <i>Basic Time Period = 100 μs (Parameter is22=3)</i>	1.25 kHz	297	300	300	300	300	300
	2.5 kHz	287	300	300	300	300	300
	5 kHz	244	272	297	300	300	300
	10 kHz	179	203	224	253	278	300

Table 13: Frequency-dependent maximum current for device size 18

Device size		19					
Rated switching frequency		8 kHz					
Output frequency	f_{out} / Hz	0	1,5	3	6	10	25
Frequency-dependent maximum current @ f_s <i>Basic Time Period = 62.5 μs (Parameter is22=0)</i>	2 kHz	240	275	275	275	275	275
	4 kHz	202	248	275	275	275	275
	8 kHz	145	182	234	275	275	275
	16 kHz	83	113	147	187	260	269
Frequency-dependent maximum current @ f_s <i>Basic Time Period = 71.4 μs (Parameter is22=1)</i>	1.75 kHz	240	275	275	275	275	275
	3.5 kHz	211	259	275	275	275	275
	7 kHz	159	198	253	275	275	275
	14 kHz	96	126	165	206	275	275
Frequency-dependent maximum current @ f_s <i>Basic Time Period = 83.3 μs (Parameter is22=2)</i>	1.5 kHz	240	275	275	275	275	275
	3 kHz	221	271	275	275	275	275
	6 kHz	173	215	271	275	275	275
	12 kHz	108	139	182	226	275	275
Frequency-dependent maximum current @ f_s <i>Basic Time Period = 100 μs (Parameter is22=3)</i>	1.25 kHz	240	275	275	275	275	275
	2.5 kHz	230	275	275	275	275	275
	5 kHz	188	231	275	275	275	275
	10 kHz	126	160	208	256	275	275

Table 14: Frequency-dependent maximum current for device size 19

3.2.4 Power dissipation at rated operation for 230 V Peak Power devices

Device size	18	19
Rated switching frequency	8	8
Power dissipation at rated operation ¹⁾ P_D / W	920	1254

Table 15: Power dissipation of the 230 V Peak Power devices

¹⁾ Rated operation corresponds to $U_N = 230$ V; f_{SN} ; I_N ; $f_N = 50$ Hz (typically value)

3.2.5 Fusing of the 230 V Peak Power devices

Device size	Max. size of the fuse / A			
	$U_N = 230V$ gG (IEC)	$U_N = 240V$ class "J"	$U_N = 240V$	
	SCCR 30 kA	SCCR 10 kA	SCCR 65 kA	Type ¹⁾
18	125	150	125	SIBA GMBH 20 1xy 20.#
			125	COOPER BUSSMANN 170M1xy#
			125	LITTELFUSE L70QS#
19	160	175	160	SIBA GMBH 20 1xy 20.#
			160	COOPER BUSSMANN 170M1xy#
			175	LITTELFUSE L70QS#

Table 16: Fusing of the 230 V / 240 V Peak Power devices

¹⁾ "x" stands for various indicators. "y" stands for various connection variants. "#" stands for current or the identification number.



Short-circuit capacity

After requests from *EN 60439-1* and *EN 61800-5-1* the following is valid for the connection to a mains: The devices are suitable for the use in a circuit capable of delivering not more than 65 kA eff. unaffected symmetrical short-circuit current.

3.3 Device data of the 400 V Peak Power devices

3.3.1 Overview of 400 V Peak Power devices

The technical data are for 2/4-pole standard motors. With other pole numbers the drive controller must be dimensioned onto the rated motor current. Contact KEB for special or medium frequency motors.

Device size		21	22
Housing		6	
Rated apparent output power	S_{out} / kVA	62	80
Max. rated motor power	¹⁾ P_{mot} / kW	45	55
Rated input voltage	U_N / V	400 (UL: 480)	
Input voltage range	U_{in} / V	280...550	
Mains phases		3	
Mains frequency	f_N / Hz	50 / 60 ±2	
Rated input current @ $U_N = 400V$	I_{in} / A	99	126
Rated input current @ $U_N = 480V$	I_{in_UL} / A	79	106
Insulation resistance @ $U_{dc} = 500V$	R_{iso} / MΩ	> 20	> 20
Leakage current	I_{iso_ac} / mA	> 3.5	> 3.5
Output voltage	U_{out} / V	0... U_{in}	
Output frequency	²⁾ f_{out} / Hz	0...599	
Output phases		3	
Rated output current @ $U_N = 400V$	I_N / A	90	115
Rated output current @ $U_N = 480V$	I_{N_UL} / A	72	96
Rated output overload (60s)	^{3) 4)} I_{60s} / %	160	175
Software current limit	³⁾ I_{lim} / %	200	225
Overcurrent	³⁾ I_{OC} / %	240	270
Rated switching frequency	f_{SN} / kHz	8	4
Max. switching frequency	⁵⁾ f_{S_max} / kHz	16	16
Power dissipation at rated operation	¹⁾ P_D / W	1356	1253
Overload current over time	³⁾ I_{OL} / %	=> „3.3.3.1 Overload characteristic (OL)“	
Maximum current 0Hz/50Hz at $f_s = 2$ kHz	I_{out_max} / %	240 / 240	220 / 270
Maximum current 0Hz/50Hz at $f_s = 4$ kHz	I_{out_max} / %	201 / 240	161 / 270
Maximum current 0Hz/50Hz at $f_s = 8$ kHz	I_{out_max} / %	133 / 240	95 / 270
Maximum current 0Hz/50Hz at $f_s = 16$ kHz	I_{out_max} / %	56 / 133	45 / 173
<i>continued on the next page</i>			

DEVICE DATA OF THE 400 V PEAK POWER DEVICES

Device size		21	22
Housing		6	
Max. braking current	I_{B_max} / A	140	168
Min. braking resistor value	R_{B_min} / Ω	6	5
Braking transistor	⁶⁾	Max. cycle time: 120s; Max c.d.f.: 50 %	
Protective function for braking transistor		Short-circuit monitoring	
Protection function braking resistor (Error GTR7 always on)	⁷⁾	Feedback signal evaluation and current switch-off (only for AC mains connection)	
Max. motor cable length shielded	⁸⁾ l / m	100	100

Table 17: Overview of the 400 V Peak Power device data

- ¹⁾ Rated operation corresponds to $U_N = 400V$, rated switching frequency, output frequency = 50Hz (4-pole standard asynchronous motor).
- ²⁾ The output frequency is to be limited in such a way that it does not exceed 1/10 of the switching frequency. Notice! Devices with a maximum output frequency higher than 599Hz are subject to export restrictions.
- ³⁾ The values refer in % to the rated output current I_N .
- ⁴⁾ Observe limitations „3.3.3.1 Overload characteristic (OL)“.
- ⁵⁾ A detailed description of the derating „3.4.1.2 Switching frequency and temperature of the 400 V Peak Power devices“.
- ⁶⁾ The cyclic duration factor is additionally limited by the used braking resistor.
- ⁷⁾ The feedback signal evaluation monitors the functionality of the braking transistor. The current is switched off via the internal mains input bridge of the AC supply. There is no current switch-off with DC voltage supply.
- ⁸⁾ The maximum cable length depends on various factors. Further information can be found in the corresponding filter instructions.

3.3.2 Voltage and frequencies for 400V devices

Input voltages and frequencies		
Rated input voltage	U_N / V	400
Rated mains voltage (USA)	U_{N_UL} / V	480
Input voltage range	U_{IN} / V	280...550
Input phases		3
Mains frequency	f_N / Hz	50/60
Mains frequency tolerance	$\pm f_N / Hz$	2

Table 18: Input voltages and frequencies of the 400V devices

DC link voltage		
DC link rated voltage @ $U_N = 400V$	U_{N_dc} / V	565
DC link rated voltage @ $U_{N_UL} = 480V$	$U_{N_UL_dc} / V$	680
DC link voltage working voltage range	U_{IN_dc} / V	390...780

Table 19: DC link voltage for 400V devices

Output voltages and frequencies		
Output voltage at AC supply	¹⁾ U_{out} / V	0... U_{N_ac}
Output frequency	²⁾ f_{out} / Hz	0...599
Output phase		3

Table 20: Output voltages and frequencies of the 400V devices

- ¹⁾ The voltage to the motor is dependent on the actual input voltage and the control method („3.3.2.1 Example of the calculation of the possible motor voltage:“).
- ²⁾ The output frequency is to be limited in such a way that it does not exceed 1/10 of the switching frequency. Devices with a maximum output frequency higher than 599Hz are restricted for export.

3.3.2.1 Example of the calculation of the possible motor voltage:

The motor voltage for dimensioning of the drive is depending on the used components. The motor voltage reduces according to the following table:

Component	Reduction / %	Example
Mains choke U_k	4	Open-loop drive converter with mains- and motor choke at non-rigid supply system: 400 V mains voltage (100%) - 36 V reduced voltage (11 %) = 356 V motor voltage
Drive converter open-loop	4	
Drive converter closed-loop	8	
Motor choke U_k	1	
Non-rigid supply system	2	

Table 21: Example of the calculation of the possible motor voltage:

3.3.3 Input and output currents/ overload

Device size		21	22
Rated input current @ $U_N = 400 V$	¹⁾ I_{in} / A	99	126
Rated input current @ $U_{N_UL} = 480 V$	¹⁾ I_{in_UL} / A	79	106
Rated input current DC @ $U_N = 565 V$	I_{in_dc} / A	121	155
Rated input current DC @ $U_{N_UL} = 680 V$	$I_{in_UL_dc} / A$	97	129
Rated output current @ $U_N = 400 V$	I_N / A	90	115
Rated output current @ $U_{N_UL} = 480 V$	I_{N_UL} / A	72	96
Rated output overload (60 s)	²⁾ $I_{60s} / \%$	160	175
Overload current	²⁾ $I_{OL} / \%$	=> „3.3.3.1 Overload characteristic (OL)“	
Software current limit	^{2) 3)} $I_{lim} / \%$	200	225
Overcurrent	²⁾ $I_{oc} / \%$	240	270

Table 22: Input and output currents / overload of the 400 V Peak Power devices

- ¹⁾ The values resulting from rated operation with B6 rectifier circuit and mains choke 4% U_k .
- ¹⁾ The values refer in % to the rated output current I_N .
- ²⁾ Limitation of the current setpoint in closed-loop operation. This setpoint limit is not active in v/f operation.

3.3.3.1 Overload characteristic (OL)

All drive controllers can be operated at rated switching frequency with an utilisation of 160 % for 60 s.

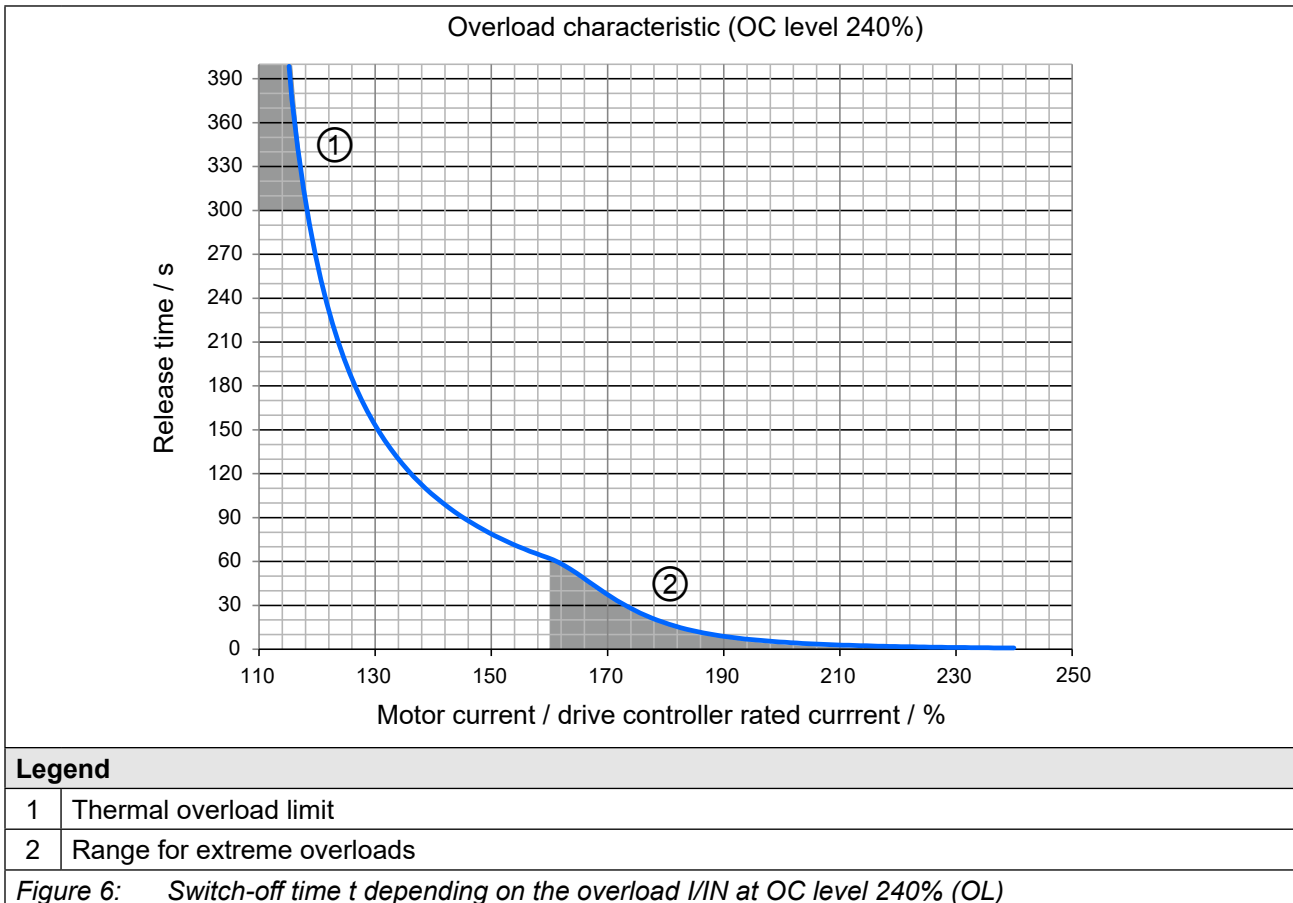
The OL overload function is a root mean square (RMS) function.

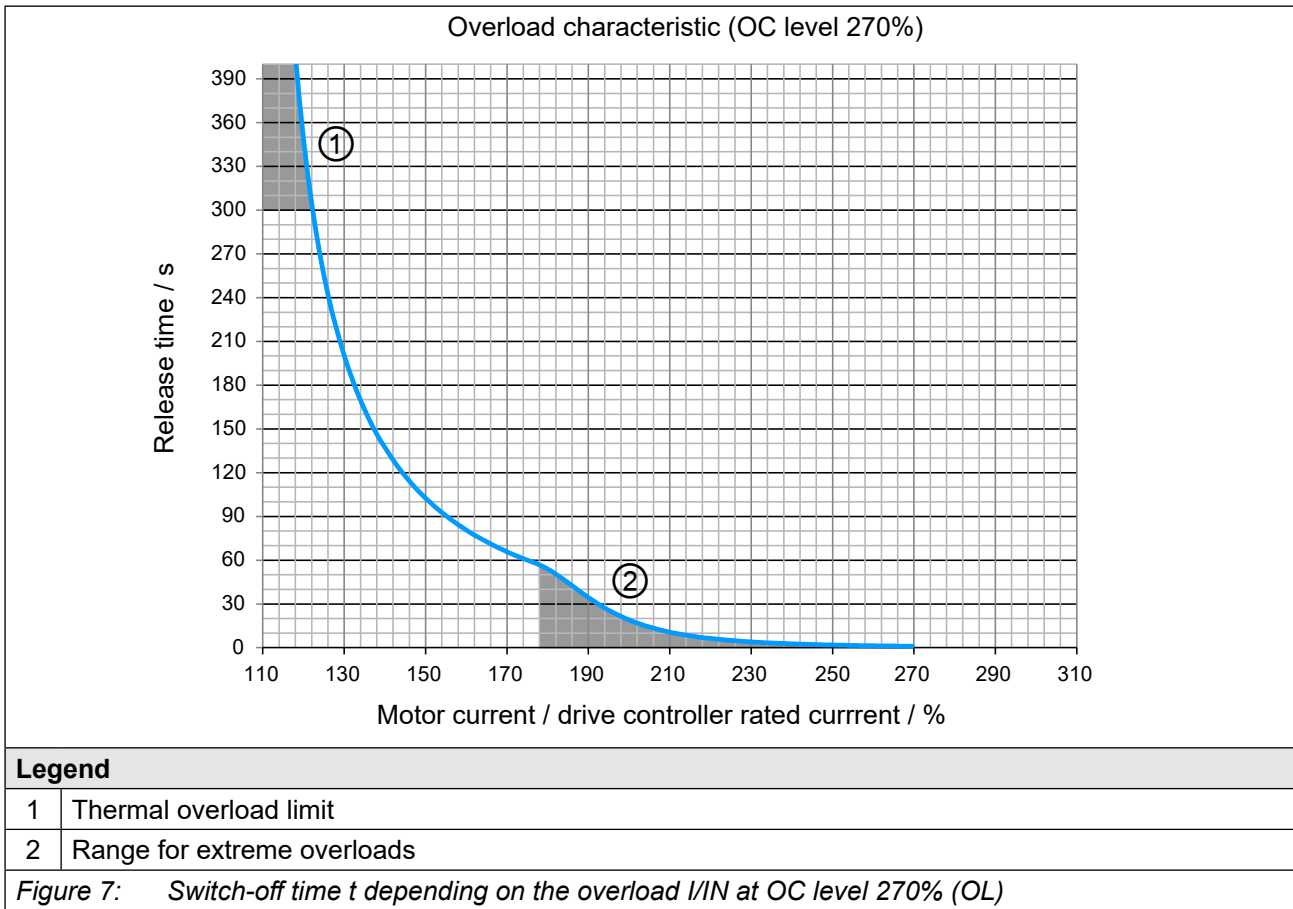
The greater the difference between the overload and underload phases, the greater the deviation of the RMS from the arithmetic mean value.

For extreme overloads (=> „Figure 6: Switch-off time t depending on the overload I/I_N at OC level 240% (OL)“), the load is weighted more heavily. This means the load is provided with a factor for the calculation of the RMS value, by way that the overload protection function triggers, even if the RMS value does not reach 100%.

Restrictions:

- The thermal design of the heat sink is based on the rated operation. The following values are taken into account: rated output current, ambient temperature, rated switching frequency, rated voltage.
- At high ambient temperatures and/or high heat sink temperatures (for example, by preceding utilization nearby 100 %) the drive controller can change to overtemperature error before triggering the protective function OL.
- At low output frequencies or switching frequencies higher than the rated switching frequency, the frequency-dependent maximum current can be exceeded before and error OL2 can be triggered
=> „3.3.3.2 Frequency-dependent maximum current (OL2)“.





- On exceeding a load of 105 % the overload integrator starts.
- When falling below the integrator counts backwards.
- If the integrator achieves the overload characteristic "ERROR overload (OL)" is triggered.

After a cooling down period, the integrator can be reset now. The drive controller must remain switched on during the cooling down phase.

Operation in the range of the thermal overload limit

Due to the high steepness of the overload characteristic, the duration of a permissible overload in the range cannot be determined exactly. Therefore, the design of the drive controller should be assumed to have a maximum overload time of 300s.

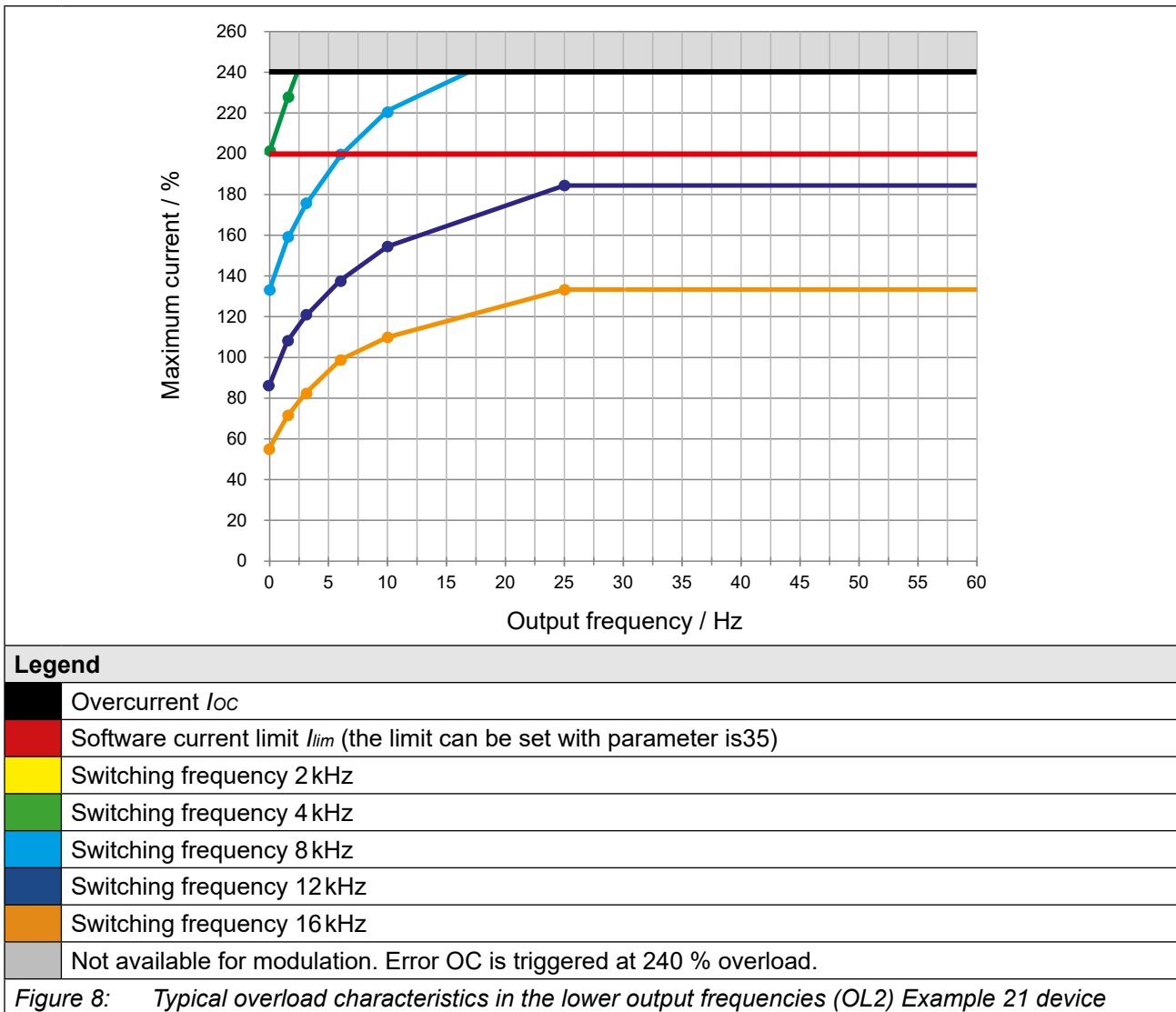
3.3.3.2 Frequency-dependent maximum current (OL2)

The characteristics of the maximum currents for a switching frequency which are depending on the output frequency are different for each drive controller, but the following rules are generally applicable:

- Applies for the rated switching frequency: at 0 Hz output frequency the drive controller can provide at least the rated output current.
- Lower maximum currents apply for switching frequencies > rated switching frequency.

If error (OL2) shall be triggered on exceeding the maximum currents or if the switching frequency is automatically reduced (derating) can be adjusted in the drive controller parameters.

The following characteristic curve indicates the permissible maximum current for the output frequency values 0 Hz, 1,5 Hz, 3 Hz, 6 Hz, 10 Hz and 25 Hz. Device size 21 is represented exemplary.



The frequency-dependent maximum current I_{out_max} refers in % to the rated output current I_N .

The current remains constant from the last specified output frequency value.



The values for the respective device size are listed in the following tables.

Frequency-dependent maximum current

Device size		21					
Rated switching frequency		8 kHz					
Output frequency	f_{out} / Hz	0	1,5	3	6	10	25
Frequency-dependent maximum current @ f_s I_{out_max} / % <i>Basic Time Period = 62.5 μs (Parameter is22=0)</i>	2 kHz	240	240	240	240	240	240
	4 kHz	201	227	240	240	240	240
	8 kHz	133	158	174	199	221	240
	16 kHz	56	71	82	99	110	133
Frequency-dependent maximum current @ f_s I_{out_max} / % <i>Basic Time Period = 71.4 μs (Parameter is22=1)</i>	1.75 kHz	240	240	240	240	240	240
	3.5 kHz	215	240	240	240	240	240
	7 kHz	150	175	193	219	240	240
	14 kHz	71	89	101	118	132	159
Frequency-dependent maximum current @ f_s I_{out_max} / % <i>Basic Time Period = 83.3 μs (Parameter is22=2)</i>	1.5 kHz	240	240	240	240	240	240
	3 kHz	229	240	240	240	240	240
	6 kHz	167	195	212	239	240	240
	12 kHz	87	108	120	138	154	184
Frequency-dependent maximum current @ f_s I_{out_max} / % <i>Basic Time Period = 100 μs (Parameter is22=3)</i>	1.25 kHz	240	240	240	240	240	240
	2.5 kHz	240	240	240	240	240	240
	5 kHz	184	209	230	240	240	240
	10 kHz	110	133	147	168	188	223

Table 23: Frequency-dependent maximum current for device size 21 Peak Power

Device size		22					
Rated switching frequency		8 kHz					
Output frequency	f_{out} / Hz	0	3	6	10	25	50
Frequency-dependent maximum current @ f_s <i>Basic Time Period = 62.5 μs (Parameter is22=0)</i>	2 kHz	220	252	270	270	270	270
	4 kHz	161	187	239	270	270	270
	8 kHz	95	117	152	191	270	270
	16 kHz	45	64	85	108	167	173
Frequency-dependent maximum current @ f_s <i>Basic Time Period = 71.4 μs (Parameter is22=1)</i>	1.75 kHz	220	252	270	270	270	270
	3.5 kHz	176	203	257	270	270	270
	7 kHz	111	134	173	216	270	270
	14 kHz	54	74	97	123	190	198
Frequency-dependent maximum current @ f_s <i>Basic Time Period = 83.3 μs (Parameter is22=2)</i>	1.5 kHz	220	252	270	270	270	270
	3 kHz	191	219	270	270	270	270
	6 kHz	128	152	195	241	270	270
	12 kHz	63	84	110	139	213	223
Frequency-dependent maximum current @ f_s <i>Basic Time Period = 100 μs (Parameter is22=3)</i>	1.25 kHz	220	252	270	270	270	270
	2.5 kHz	205	235	270	270	270	270
	5 kHz	144	169	217	266	270	270
	10 kHz	79	100	131	165	250	261

Table 24: Frequency-dependent maximum current for device size 22 Peak Power

3.3.4 Overview of rectifier data for 400 V devices

Device size		21	22
Rated rectifier power	P_{rect} / kW	50	61
Continuous rectifier power	¹⁾ P_{rect_cont} / kW	61	61
Continuous input current @ $U_N = 400$ V	¹⁾ i_{in_cont} / A	126	126
Continuous input current @ $U_{N_UL} = 480$ V	¹⁾ $i_{in_UL_cont}$ / A	106	106
Rated output current DC @ $U_{N_dc} = 565$ V	i_{out_dc} / A	121	155
Continuous output current DC @ $U_{N_dc} = 565$ V	¹⁾ $i_{out_dc_cont}$ / A	155	155
Rated output current DC @ $U_{N_UL_dc} = 680$ V	$i_{out_UL_dc}$ / A	97	129
Continuous output current DC @ $U_{N_UL_dc} = 680$ V	¹⁾ $i_{out_UL_dc_cont}$ / A	129	129

Table 25: Overview of the 400 V device data

¹⁾ Continuous operation is a load that exceeds the rated operation. Continuous operation only occurs if the internal rectifier is used to supply additional drive controllers via the DC terminals => „5.3.6 DC-Verbund“. In continuous operation, the OH error can be triggered depending on the operating conditions of the internal inverter.

3.3.5 Power dissipation at rated operation for 400 V Peak Power devices

Device size	21	22
Rated switching frequency	8	4
Power dissipation at rated operation ¹⁾ P_D / W	1356	1253
Power dissipation at rated operation DC ²⁾ P_{D_dc} / W	1250	1037

Table 26: Power dissipation of the 400 V Peak Power devices

¹⁾ Rated operation corresponds to $U_N = 400 V$; f_{SN} ; I_N ; $f_N = 50 Hz$ (typically value)

²⁾ Rated operation DC corresponds to $U_{N_dc} = 565 V$; I_N (typical value)

3.3.6 Fusing of the 400 V devices

3.3.6.1 Fusing of the 400 V devices at AC supply

Device size	Max. size of the fuse / A			
	$U_N = 400V$ gG (IEC)	$U_N = 480V$ class "J"	$U_N = 480V$	
	SCCR 30 kA	SCCR 10 kA	SCCR 100 kA	Type ¹⁾
21	125	110	125	SIBA GMBH 20 xy9 20.#
			125	COOPER BUSSMANN 170M1xy#
			125	LITTELFUSE L70QS#
22	160	150	160	SIBA GMBH 20 1xy 20.#
			160	COOPER BUSSMANN 170M1xy#
			175	LITTELFUSE L70QS#

Table 27: AC fusing of the 400 V Peak Power devices

¹⁾ "x" stands for various indicators. "y" stands for various connection variants. "#" stands for current or the identification number.



Short-circuit capacity

After requests from [EN 60439-1](#) and [EN 61800-5-1](#) the following is valid for the connection to a mains: The devices are suitable for the use in a circuit capable of delivering not more than 30 kA eff. unaffected symmetrical short-circuit current.

3.3.6.2 Fusing of the 400V devices at DC supply

Device size	Recommended size of the fuse / A		Permissible fuse types ¹⁾
	$U_{N_dc} = 565V$	$U_{N_UL_dc} = 680V$	
	SCCR 50 kA	SCCR 50 kA	
21	160	150	SIBA 20 557 34.250 ²⁾ SIBA 20 568 34.315 ²⁾
22	225	175	SIBA 20 031 34.315 Bussmann 170M1422 Bussmann 170M4245 Littelfuse L70QS500

Table 28: DC fusing of the 400 V / 480 V Peak Power devices

¹⁾ Fuses of the same type with lower rated currents can be used if they are suitable for the application.

²⁾ Fuse without UL certification.

NOTICE

Observe the rated voltage of the fuse!

- ▶ The rated voltage of the fuse must be at least equal to the maximum DC supply voltage of the drive controller.

3.4 General electrical data

3.4.1 Switching frequency and temperature

The drive controller cooling is designed by way that the heat sink overtemperature threshold is not exceeded at rated conditions. A switching frequency higher than the rated switching frequency also produces higher losses and thus a higher heat sink heating. If the heat sink temperature reaches a critical threshold (T_{DR}), the switching frequency can be reduced automatically step by step. This prevents that the drive controller switches off due to overheating of the heat sink. If the heat sink temperature falls below the threshold T_{UR} , the switching frequency is increased back to the setpoint. At temperature T_{EM} the switching frequency is immediately reduced to rated switching frequency. „Derating“ must be activated, for this function to work.

3.4.1.1 Switching frequency and temperature of the 230 V Peak Power devices

Device size		18	19
Rated switching frequency	¹⁾ f_{SN} / kHz	8	8
Max. switching frequency	¹⁾ f_{S_max} / kHz	16	16
Min. switching frequency	¹⁾ f_{S_min} / kHz	2	2
Max. heat sink temperature	T_{HS} / °C	95	90
Temperature for derating the switching frequency	T_{DR} / °C	85	80
Temperature for uprating the switching frequency	T_{UR} / °C	75	70
Temperature for switching to rated switching frequency	T_{EM} / °C	90	85

Table 29: Switching frequency and temperature of the 230 V Peak Power devices

¹⁾ The output frequency should be limited in such a way that it does not exceed 1/10 of the switching frequency.

3.4.1.2 Switching frequency and temperature of the 400 V Peak Power devices

Device size		21	22
Rated switching frequency	¹⁾ f_{SN} / kHz	8	4
Max. switching frequency	¹⁾ f_{S_max} / kHz	16	16
Min. switching frequency	¹⁾ f_{S_min} / kHz	2	2
Max. heat sink temperature	T_{HS} / °C	90	85
Temperature for derating the switching frequency	T_{DR} / °C	84	80
Temperature for uprating the switching frequency	T_{UR} / °C	70	70
Temperature for switching to rated switching frequency	T_{EM} / °C	87	83

Table 30: Switching frequency and temperature of the 400 V Peak Power devices

¹⁾ The output frequency should be limited in such a way that it does not exceed 1/10 of the switching frequency.

3.4.2 DC link / braking transistor function



Activation of the braking transistor function

To be able to use the braking transistor, the function must be activated with parameter "is30 braking transistor function".

For more information => [F6 Programming manual](#).

NOTICE

Falling below the minimum braking resistor value!

Destruction of the drive controller

- ▶ The minimum brake resistance value must not fall below!

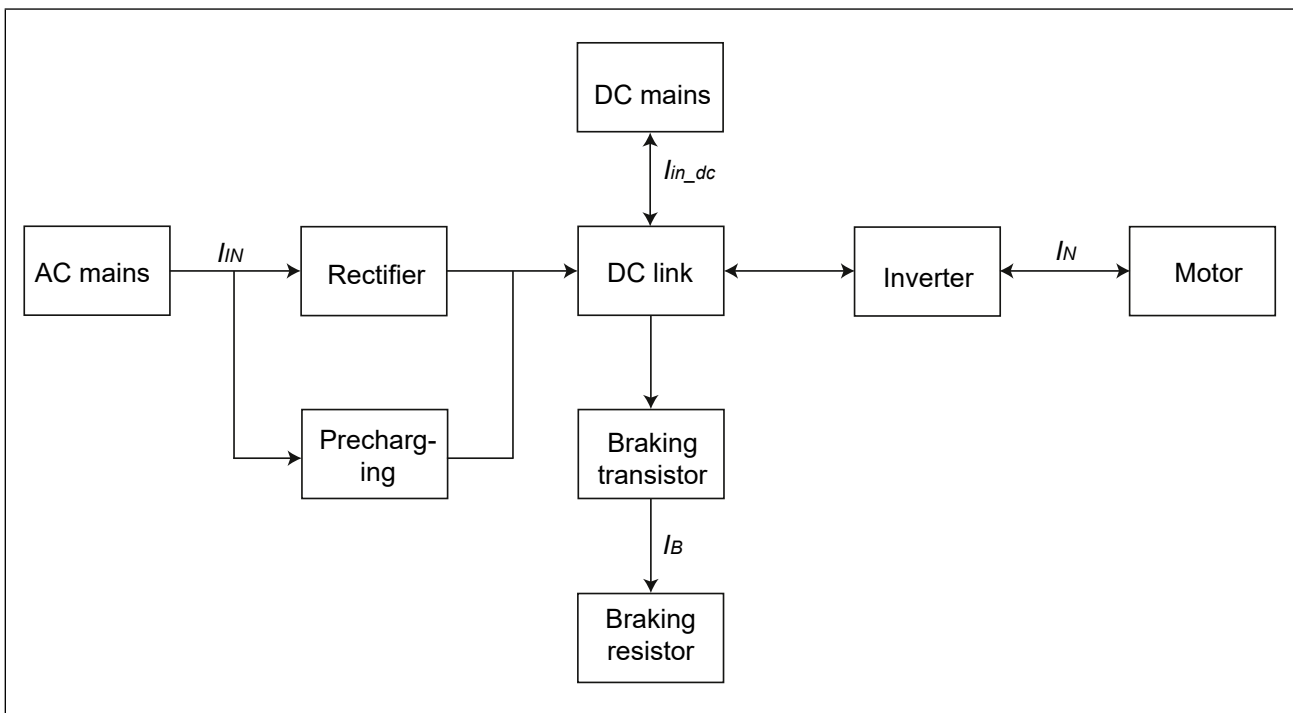


Figure 9: Block diagram of the energy flow

NOTICE

Destruction of the drive controller!

If the error "ERROR GTR7 always ON" occurs, the current consumption is switched off internally via the mains input bridge of the AC supply.

- ▶ If the error "ERROR GTR7 always ON" occurs, the drive controller is defective and must be disconnected from the power supply no later than 16 hours!
- ▶ With DC mains connection and the use of non-intrinsically safe braking resistors or sub-mounted braking resistors, the drive converter must be de-energised after 1 second at the latest.

3.4.2.1 DC link / braking transistor function of the 230 V Peak Power devices

Device size		18	19
Rated DC link voltage @ $U_N = 230V$	U_{N_dc} / V	325	
Rated DC link voltage @ $U_{N_UL} = 240V$	$U_{N_dc_UL} / V$	339	
DC link voltage working voltage range	U_{in_dc} / V	240...373	
DC switch-off level "ERROR underpotential"	U_{UP} / V	216	
DC switch-off level "ERROR overpotential"	U_{OP} / V	400	
DC switch-off level braking transistor	¹⁾ U_B / V	380	
Max. braking current	I_{B_max} / A	168	168
Min. braking resistor value	R_{B_min} / Ω	2,5	2,5
Braking transistor	²⁾	Max. cycle time: 120 s; Max. ED: 50 %	
Protective function for braking transistor		Short-circuit monitoring	
Protection function braking resistor (Error GTR7 always on)	³⁾	Feedback signal evaluation and current shut-down	
DC link capacity	$C / \mu F$	9900	11700

Table 31: DC link / braking transistor function of the 230 V Peak Power devices

- ¹⁾ The DC switching level for the braking transistor is adjustable. The default value is the value specified in the table.
- ²⁾ The cyclic duration factor is additionally limited by the used braking resistor
- ³⁾ The feedback signal evaluation monitors the functionality of the braking transistor. The current is switched off via the internal mains input bridge of the AC supply.

3.4.2.2 DC link / braking transistor function of the 400 V Peak Power devices

Device size		21	22
Rated DC link voltage @ $U_N = 400V$	U_{N_dc} / V	565	
Rated DC link voltage @ $U_{N_UL} = 480V$	$U_{N_dc_UL} / V$	680	
DC link voltage working voltage range	U_{in_dc} / V	390...780	
DC switch-off level "ERROR underpotential"	U_{UP} / V	240	
DC switch-off level "ERROR overpotential"	U_{OP} / V	840	
DC switch-off level braking transistor	¹⁾ U_B / V	780	
Max. braking current	I_{B_max} / A	140	168
Min. braking resistor value	R_{B_min} / Ω	6	5
Braking transistor	²⁾	Max. cycle time: 120 s; Max. ED: 50 %	
Protective function for braking transistor		Short-circuit monitoring	
Protection function braking resistor (Error GTR7 always on)	³⁾	Feedback signal evaluation and current switch-off (only for AC mains connection)	
DC link capacity	$C_{int} / \mu F$	3300	3900
Max. prechargeable total capacity @ $U_N = 400V$	$C_{pc_max} / \mu F$	11400	11400
Max. prechargeable total capacity @ $U_{N_UL} = 480V$	$C_{pc_max_UL} / \mu F$	7900	7900

Table 32: DC link / braking transistor function of the 400 V Peak Power devices

- ¹⁾ The DC switching level for the braking transistor is adjustable. The default value is the value specified in the table.
- ²⁾ The cyclic duration factor is additionally limited by the used braking resistor
- ³⁾ The feedback signal evaluation monitors the functionality of the braking transistor. The current is switched off via the internal mains input bridge of the AC supply. There is no current switch-off with DC voltage supply.

3.4.3 Fan

Device size		18	19	21	22
Interior fan	Number	1			
	Speed-variable	yes			
Heat sink fan	Number	2			
	Speed-variable	yes			

Table 33: Fan



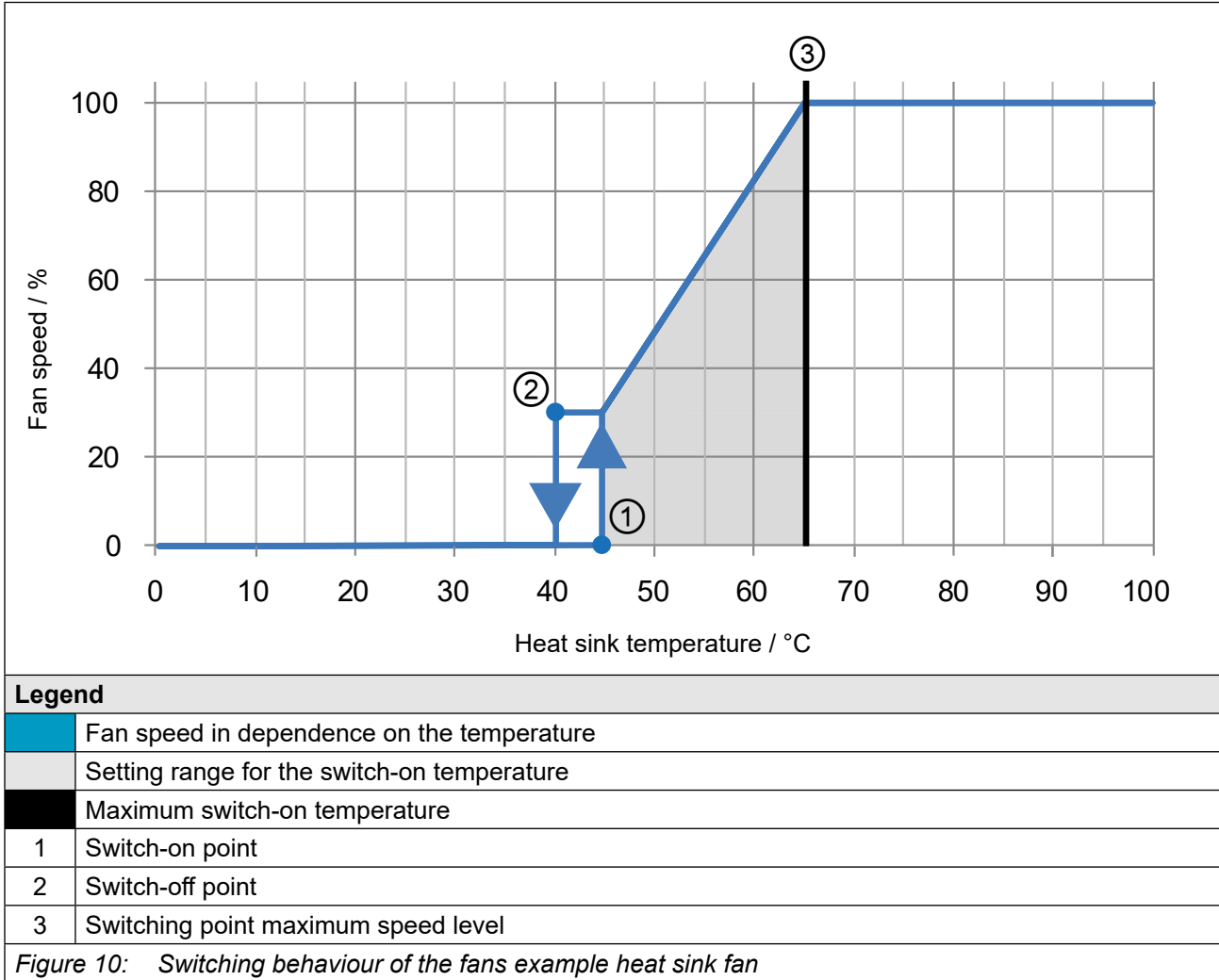
The fans are speed-variable. They are automatically controlled to high or low speed depending on the setting of the temperature limits in the software.

NOTICE**Destruction of the fans!**

- ▶ Take care that no foreign substances drop into the fan!

3.4.3.1 Switching behaviour of the fans

Temperature monitoring controls the fans with different switch-on and switch-off points.



3.4.3.2 Switching points of the fans

The switching point for the switch-on temperature and the maximum speed level of the fans are adjustable. The following table shows the default values.

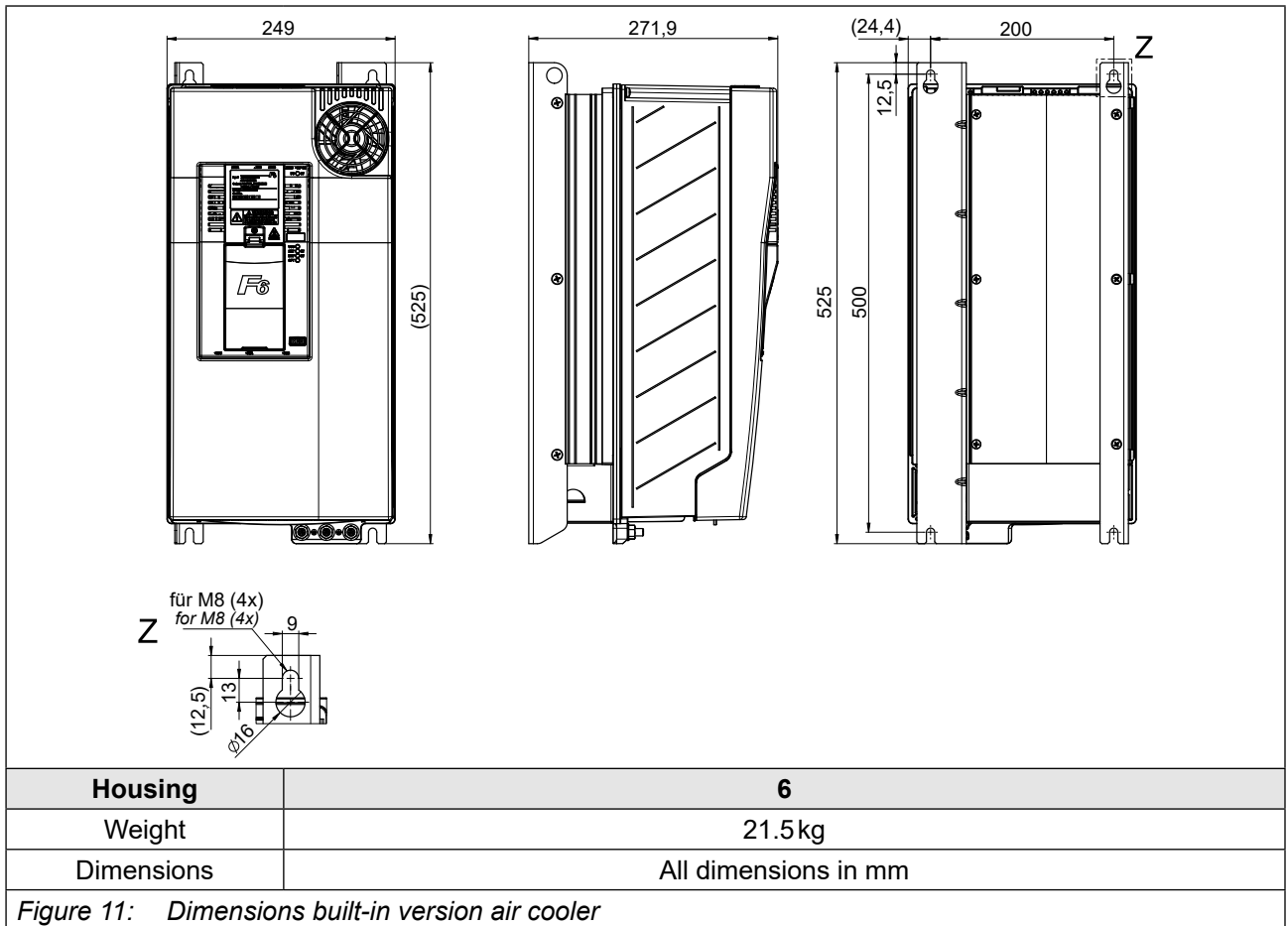
Fan		Heat sink	Interior
Switch-on temperature	$T / ^\circ\text{C}$	45	45
Maximum speed level	$T / ^\circ\text{C}$	65	55

Table 34: Switching points of the fans

4 Installation

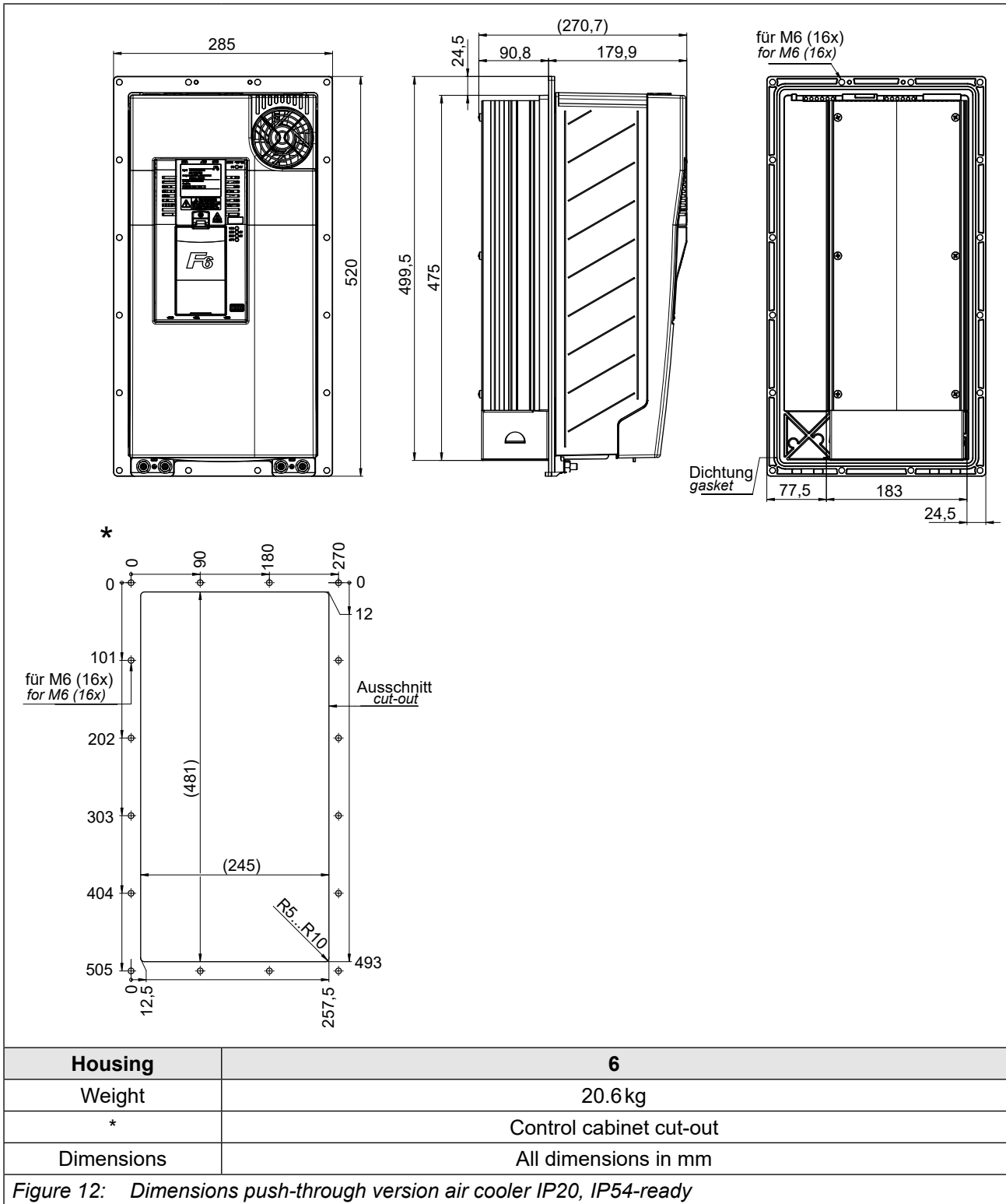
4.1 Dimensions and weights

4.1.1 Built-in version air cooler



DIMENSIONS AND WEIGHTS

4.1.2 Push-through version air cooler IP20, IP54-ready



4.2 Control cabinet installation

4.2.1 Mounting instructions

For mounting the drive controllers, the following mounting materials were tested with the corresponding quality by KEB.

Required material	Tightening torque
Hexagon-head screw <i>ISO 4017</i> - M8 - 8.8	22 Nm 194 lb inch
Flat washer <i>ISO 7090</i> - 8 - 200 HV	–
<i>Table 35: Mounting instructions for built-in version</i>	

Required material	Tightening torque
Hexagon-head screw <i>ISO 4017</i> - M6 - 8.8	9 Nm 80 lb inch
Flat washer <i>ISO 7090</i> - 6 - 200 HV	–
<i>Table 36: Mounting instructions for push-through version</i>	

NOTICE

Use of other mounting material

- ▶ The alternatively selected mounting material must comply with the above-mentioned material characteristics (quality) and tightening torques!

The use of other mounting materials is beyond KEB's control and is therefore the sole responsibility of the customer.

4.2.2 Mounting distances

Power dissipation for the control cabinet dimension „3.2.4 Power dissipation at rated operation for 230 V Peak Power devices“ / „3.3.5 Power dissipation at rated operation for 400 V Peak Power devices“. A lower value can be used here depending on the operating mode/load.



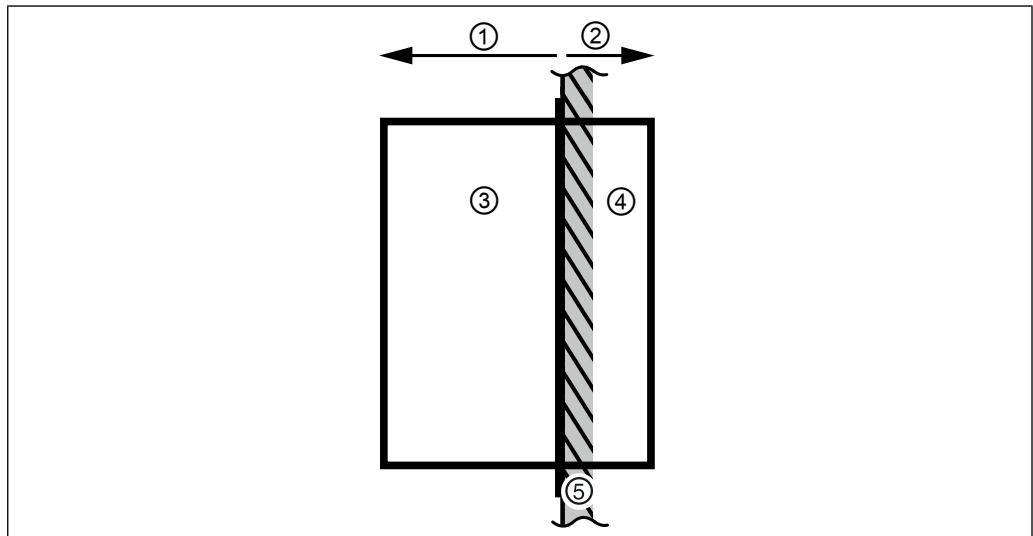
Mounting the drive controller

For reliable operation, the drive controller must be mounted without any distance on a smooth, closed, metallicly bright mounting plate.

Mounting distances	Dimension	Distance in mm	Distance in inch
	A	150	6
	B	100	4
	C	30	1,2
	D	0	0
	E	0	0
	F ¹⁾	50	2
	¹⁾ Distance to preceding elements in the control cabinet door.		

Figure 13: Mounting distances

4.2.3 Installation of IP54-ready devices

**Legend**

1	IP20 zone inside the housing
2	IP54 zone outside the housing
3	Drive controller (power unit and control unit)
4	Drive controller (heat sink)
5	Housing (e.g. Control cabinet wall)

Figure 14: Installation of IP54-ready devices

**IP54 zone: Heat sink outside the housing**

The protection class IP54 can only be achieved when the device is properly installed.

For proper installation, a suitable IP54 seal (=> „5.4.2 Seal for IP54-ready devices“) must be installed between heat sink and housing (e.g. control cabinet wall).

The tightness must be checked after the installation. If properly installed, the separation to the housing corresponds to degree of protection IP54.

In the case of fan-cooled units, the fans must be protected from negative environmental influences.

These include combustible, oily or dangerous fumes or gases, corrosive chemicals, coarse foreign bodies and excessive dust. This applies especially to the access of the heatsink from the top (air outlet).Icing is inadmissible.

UL: Device heat sink is classified as NEMA type 1

IP20 zone: Device inside the housing

This part is intended for the installation in a suitable housing for the required degree of protection (e.g. control cabinet).

The power connections are excluded => „3.1.1 Climatic environmental conditions“.

NOTICE**Defect due to continuous splash water !**

- ▶ Never expose the device to continuous splashing water (e.g. direct exposure to rain)!

4.2.5 Control cabinet ventilation

If construction-conditioned the control cabinet cannot be without indoor ventilation, appropriate filters must avoid suction of foreign objects.

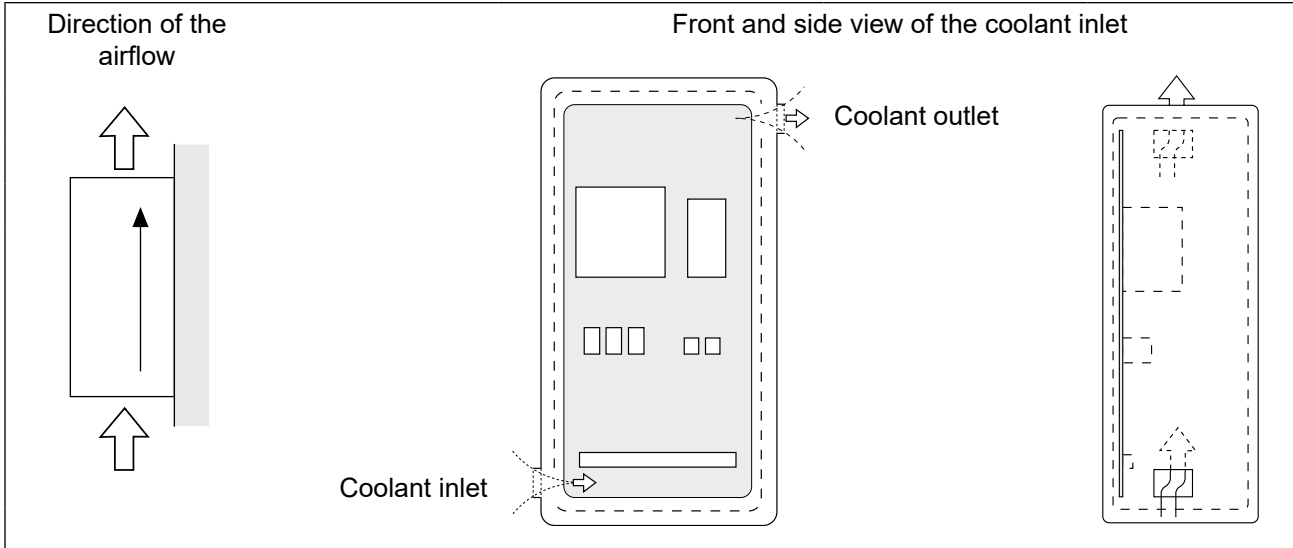
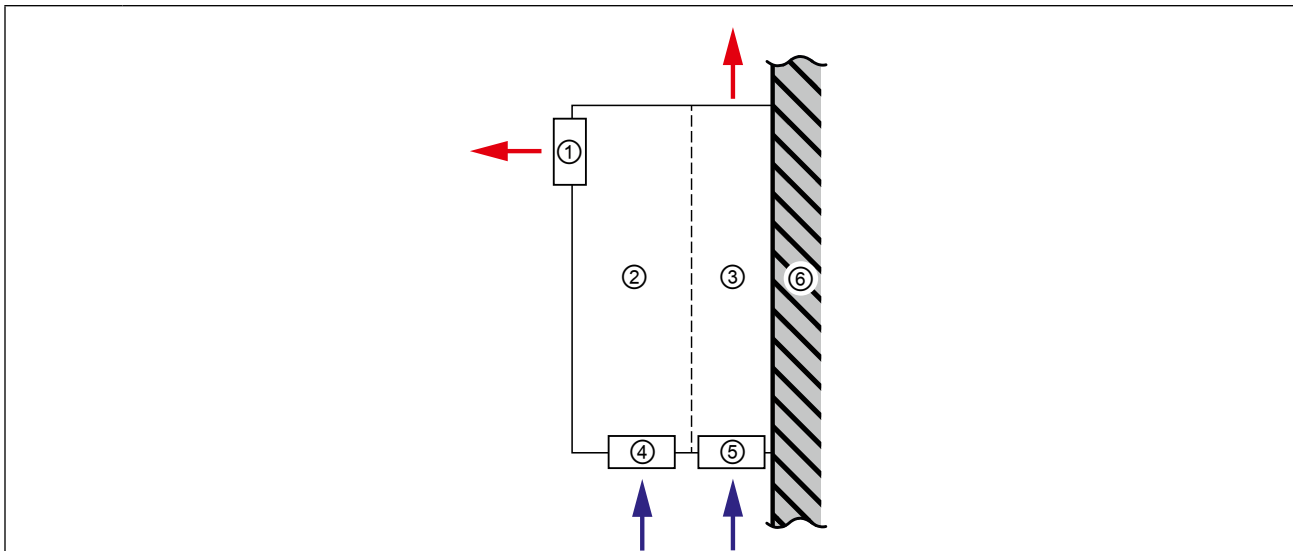


Figure 16: Control cabinet ventilation

4.2.4 Airflow of the drive converter



Legend	
	Airflow direction
1	Interior fan (from housing 4)
2	Drive converter (power unit and control)
3	Drive converter (heat sink)
4	Interior fan for (housing 2 and 3)
5	Heatsink fan
6	Housing (e.g. Control cabinet rear)

Figure 15: Airflow of the drive converter

5 Installation and connection

5.1 Overview of the COMBIVERT F6

Housing 6		No.	Name	Description
	1/6	---	Shield clamps for shielded control cables	
	2	---	LEDs (see the manual for control unit chapter "Overview") <ul style="list-style-type: none"> For control card COMPACT: FS without function. For control card APPLICATION and PRO: Status indication of the safety module 	
	3	---	Interior fan	
	4	---	Connector for the interior fan	
	5	---	Nameplate	
	7	PE	Protective earth; at connection to protective earth each terminal may be assigned only once	
	8	X1A	Power circuit terminals for: <ul style="list-style-type: none"> Mains input Braking resistor DC supply Motor connection 	
	6			

Figure 17: F6 housing 6 top view

OVERVIEW OF THE COMBIVERT F6

Housing 6		No.	Name	Description
	3	---	Interior fan	
	7	PE	Protective earth; at connection to protective earth each terminal may be assigned only once	
	8	X1A	Power circuit terminals for: <ul style="list-style-type: none"> • Mains input • Braking resistor • DC supply • Motor connection 	
	9	X1C	Terminal for: <ul style="list-style-type: none"> • Motor temperature monitoring • Brake control 	
	10	X3A	Encoder interface channel A	
	11	X3B	Encoder interface channel B	
	12	---	Heat sink fan	

Figure 18: F6 housing 6 front view

Housing 6		No.	Name	Description
	1	---	Shield clamps for shielded control cables	
	3	---	Interior fan	
	13	X4C	Fieldbus interface (out)	
	14	X4B	Fieldbus interface (in)	
	15	X2C	<ul style="list-style-type: none"> CAN bus / Analog inputs and analog output 	
	16	X2B	Safety functions / 24 V DC voltage supply / 2 digital outputs	
	17	X2A	Control terminal block for digital inputs and outputs	

Figure 19: F6 housing 6 rear view with control board COMPACT



Further information can be found in the respective control board manual.



Instructions for use COMBIVERT F6 control board COMPACT
www.keb.de/fileadmin/media/Manuals/dr/ma_dr_f6-cu-k-inst-20144795_en.pdf



Instructions for use COMBIVERT F6 control board APPLICATION
www.keb.de/fileadmin/media/Manuals/dr/ma_dr_f6-cu-a-inst-20118593_en.pdf



Instructions for use COMBIVERT F6 control board PRO
www.keb.de/fileadmin/media/Manuals/dr/ma_dr_f6-cu-p-inst-20182705_en.pdf



5.2 Connection of the power unit

NOTICE

Destruction of the drive controller!

- ▶ Never exchange mains input and motor output!

5.2.1 Connection of the voltage supply

The COMBIVERT F6 can be supplied via terminals L1, L2 and L3 (AC power supply) or via terminals + and - (DC power supply with inrush current limitation)

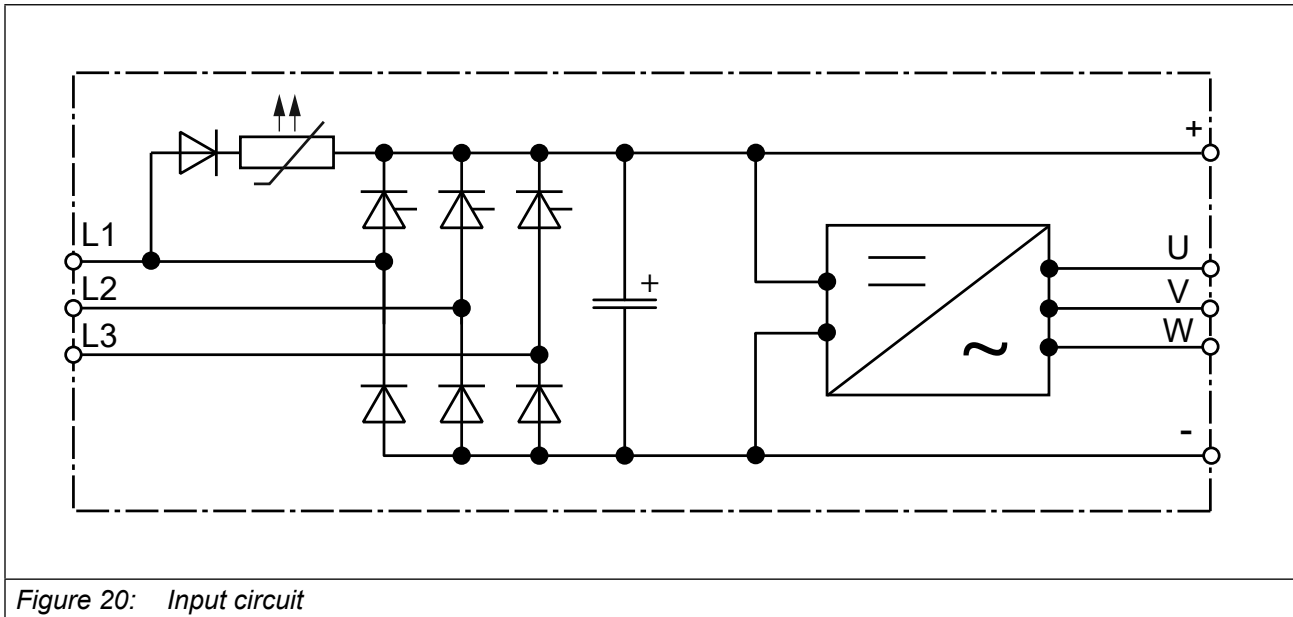


Figure 20: Input circuit

NOTICE

With AC power supply, observe the minimum waiting time between two switch-on procedures!

Cyclical switching off and on of the drive converter leads to temporary high impedance of the PTC precharging resistor. After the PTC precharging resistor has cooled down, it can be restarted without restrictions. The waiting time between two switch-on processes depends on the external capacitance, the AC mains voltage and the ambient temperature.

- ▶ Without external capacity: 5 min
- ▶ With external capacity (additional drive converters): 20 min

NOTICE

No inrush current limitation with DC power supply!

- ▶ An external inrush current limiter must be provided for DC power supplies.

5.2.1.1 Terminal block X1A



Name	Function	Terminal connection	Tightening torque	Crimp connector dimension type	Max. number of conductors ¹⁾
L1	Mains connection 3-phase	8 mm stud for M8 crimp connector	10...15 Nm 88...132 lb inch	1	For IEC: 2 For UL: 2
L2					
L3					
+	DC terminals			2	
-					
R	Connection for braking resistor (between + and R)			1	
U	Motor connection				
V					
W					

Figure 21: Terminal block X1A

¹⁾ From 50mm² only one conductor allowed

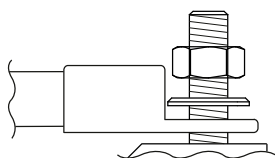
Crimp connector dimension		Type 1	Type 2
Max. width	l/mm	24	19
Max. shaft length	l/mm	46	46
Max. diameter	l/mm	19	19

Table 37: Crimp connector dimension X1A



Alternatively to a 95 mm² line, 2 parallel 35 mm² lines can also be laid.

NOTICE



Short circuit due too low air and creepage distances!

- ▶ The pressing of the crimp connectors must point upwards when connecting 95 mm² cables!

5.2.2 Protective earth and function earth



Protective and functional earth must not be connected to the same terminal.

5.2.2.1 Protective earth

The protective earth (PE) serves for electrical safety particularly personal protection in error case.



Electric shock due to incorrect dimensioning!

- ▶ Cross-section wire to ground should be selected according to [VDE 0100!](#)

Name	Function	Connection type	Tightening torque
	Connection for protective earth	M8 threaded pin with nut for M8 crimp connector	10...15 Nm 88...132 lb inch

Figure 22: Connection for protective earth



Incorrect installation of the protective earth

Only M8 threaded pins with nut may be used as connection for protective earth!

5.2.2.2 Functional earthing

A functional earthing may also be necessary, if for EMC requirements additional potential equalization between devices or parts of the system must be available.



The use of the functional earth (FE) is not required if the frequency inverter is EMC-technically wired.

The functional earth may not be wired green/yellow!



Notes on EMC-compatible installation can be found here.
www.keb.de/fileadmin/media/Manuals/emv/0000neb0000.pdf



5.3 Mains connection

5.3.1 Supply cable

The conductor cross-section of the supply cable is determined by the following factors:

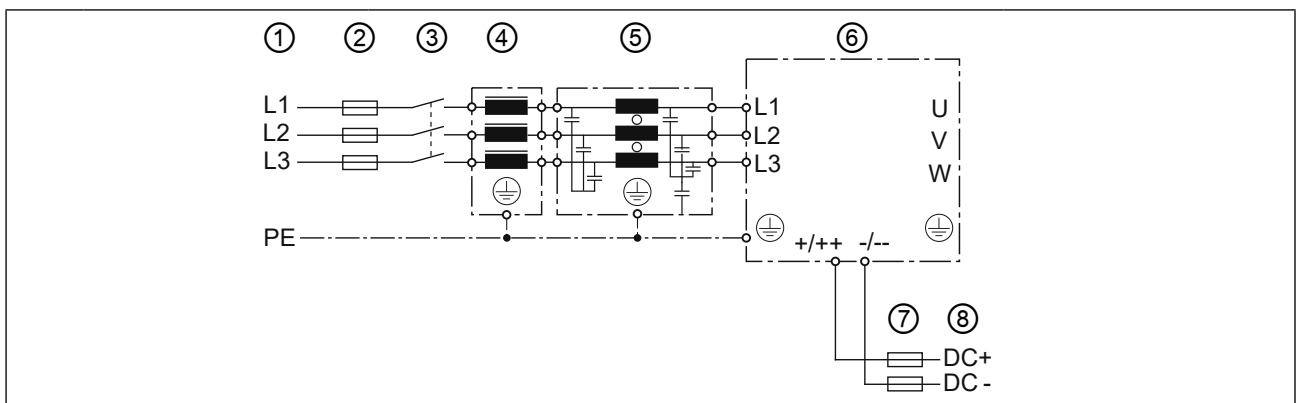
- Input current of the drive controller
- Used line type
- Installation and ambient temperatures
- The locally valid electrical regulations



The application engineer is responsible for the design!

5.3.2 AC mains connection

5.3.2.1 AC supply 3-phase



No.	Type	Description
1	Mains phase	3-phase
	Mains form	TN, TT
		IT
Mains form		The rated voltage between one phase conductor and earth potential (or the neutral point in the IT system) must not exceed 300V, USA UL: 480 / 277 V. (For the IT system, a short-term disconnection must be ensured).
	Personal protection	RCMA with separator or RCD type B Insulation monitors
2	Mains fuses	see chapter "Protection of the drive controllers"
3	Mains contactor	-
4	Mains choke	see notes in chapter "Filters and chokes"
5	HF filter for TN-, TT systems	Required for compliance with the limit values in accordance with EN 61800-3 .
	HF filter for IT systems	
6	Drive controller	COMBIVERT F6
7	DC-fuses	See note in chapter „Fusing of the devices“.
8	DC-supply	DC supply generated by the drive controller for connecting further drive controllers => „5.3.6 DC-bus connection“

Figure 23: Connection of the mains supply 3-phase

5.3.2.2 Note on hard power systems

The service life of drive controllers with voltage DC link depends on the DC voltage, ambient temperature and the current load of the electrolytic capacitors in the DC link. The use of mains chokes can increase the service life of the condensators to a considerable extent, especially when connecting to "hard" power systems or when under permanent drive load (continuous duty).

The term "hard" power system means that the nodal point power (S_{Net}) of the mains is very high ($\gg 200$) compared to the rated apparent output power of the drive controller (S_{out}).



A listing of filters and chokes => „[5.4.1 Filters and chokes](#)“.

5.3.3 DC mains connection

NOTICE

DC operation

- ▶ The DC power supply of 230V devices is only permitted after consultation with KEB!

5.3.3.1 Terminal block X1A DC connection



Name	Function	Terminal connection	Tightening torque	Crimp connector dimension type	Max. number of conductors ¹⁾
+	DC terminals	8 mm stud for M8 crimp connector	10...15 Nm 88...132 lb inch	2	For IEC: 2 For UL: 2
-					

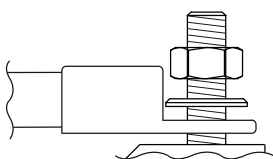
Figure 24: Terminal block X1A DC connection

¹⁾ From 50mm² only one conductor allowed

Crimp connector dimension		Type 2
Max. width	l/mm	19
Max. shaft length	l/mm	46
Max. diameter	l/mm	19

Table 38: Crimp connector dimension DC connection

NOTICE



Short circuit due too low air and creepage distances!

- ▶ The pressing of the crimp connectors must point upwards when connecting 95 mm² cables!

5.3.3.2 Connection at DC voltage supply

NOTICE

Destruction of the drive controller!

► Never exchange “+ / ++” and “- / --”!

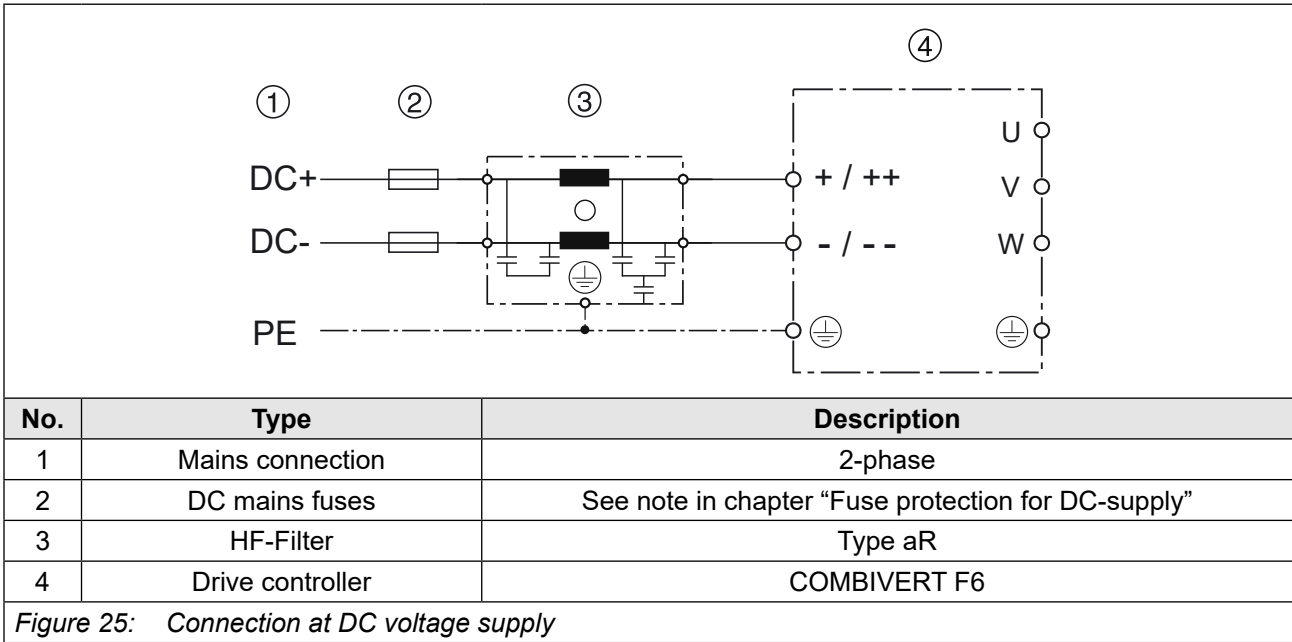
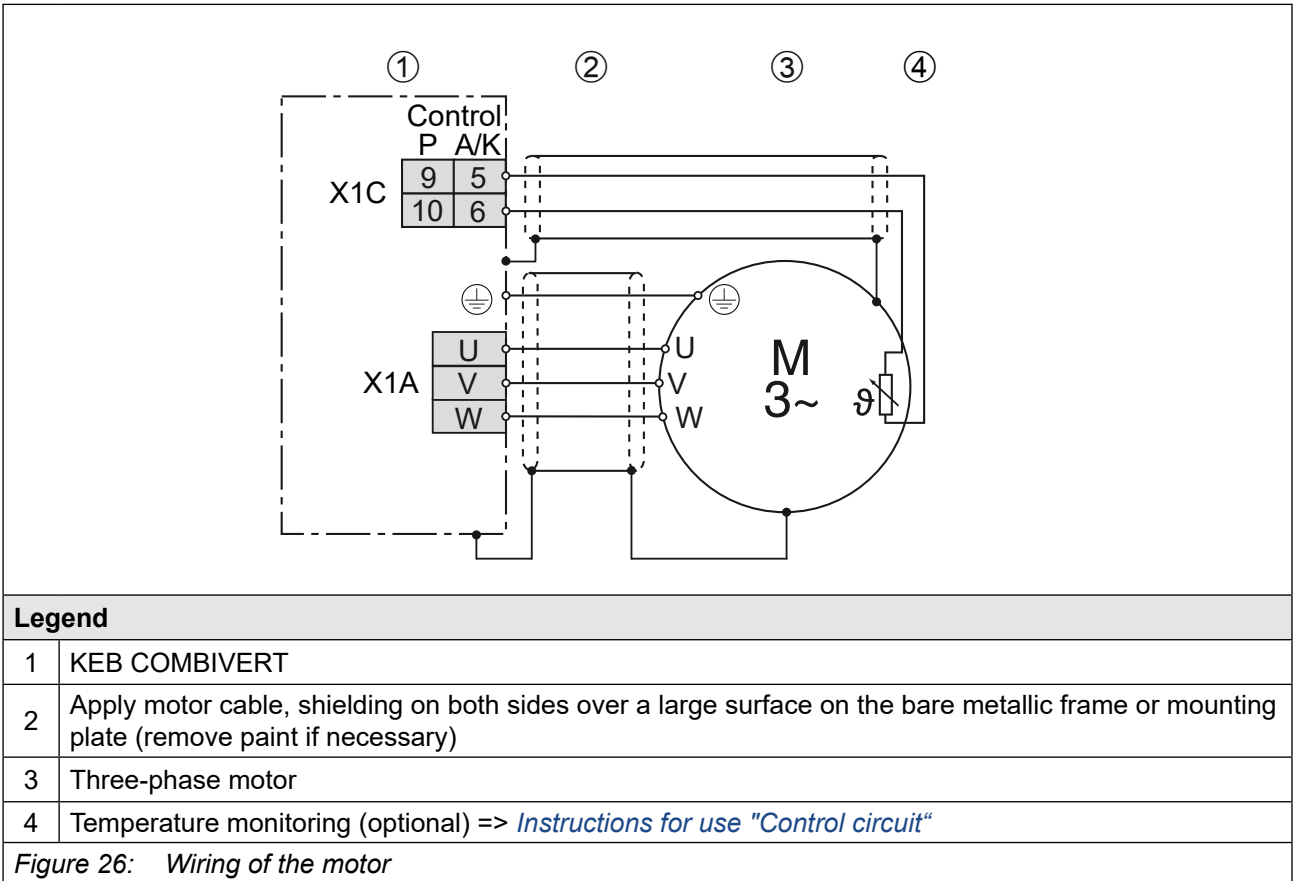


Figure 25: Connection at DC voltage supply

5.3.4 Connection of the motor

5.3.4.1 Wiring of the motor



5.3.4.2 Terminal block X1A motor connection



Name	Function	Terminal connection	Tightening torque	Crimp connector dimension type	Max. number of conductors ¹⁾
U	Motor connection	8 mm stud for M8 crimp connector	10...15 Nm 88...132 lb inch	1	For IEC: 2 For UL: 2
V					
W					

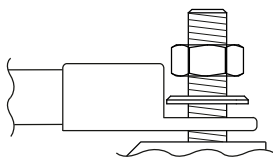
Figure 27: Terminal block X1A motor connection

¹⁾ From 50mm² only one conductor allowed

Crimp connector dimension		Type 1
Max. width	l/mm	24
Max. shaft length	l/mm	46
Max. diameter	l/mm	19

Table 39: Crimp connector dimension motor connection

NOTICE



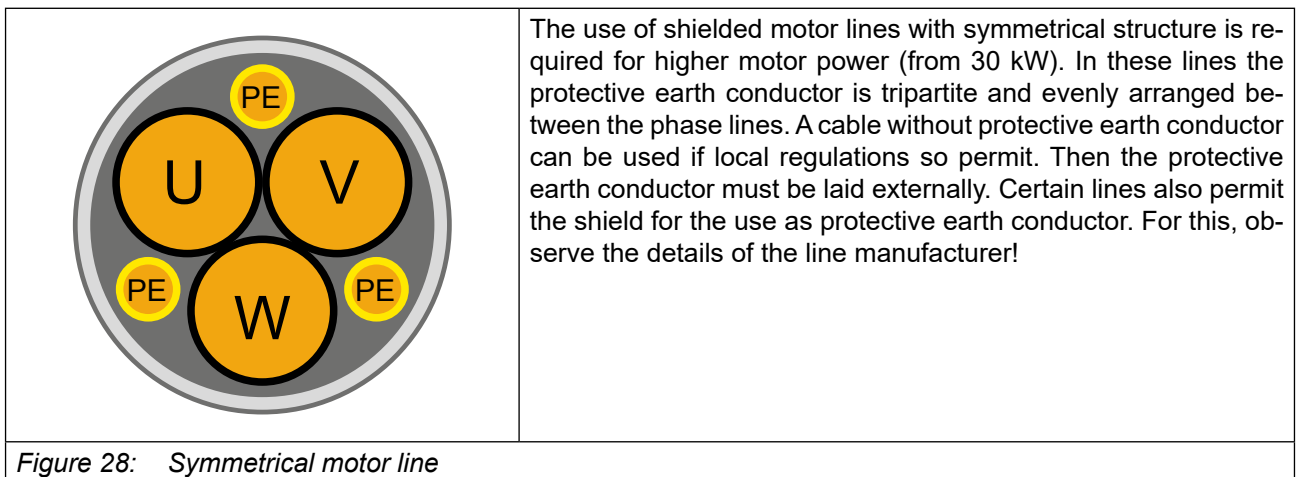
Short circuit due too low air and creepage distances!

- The pressing of the crimp connectors must point upwards when connecting 95 mm² cables!

5.3.4.3 Selection of the motor line

The correct cabling as well as the motor line itself play an important part in case of low power in connection with long motor line lengths. Low-capacitance line (phase/phase < 65 pF/m, phase/screen < 120 pF/m) at the inverter output have the following effects:

- allow major motor line lengths („5.3.4.4 Motor cable length and conducted interferences at AC supply“)
- better EMC properties (reduction of the common-mode output currents to earth)



5.3.4.4 Motor cable length and conducted interferences at AC supply

The maximum motor cable length is depending on the capacity of the motor cable as well as on the EMC emitted interference. External measures must be taken here (e.g. the use of a line filter).



The cable length can be increased significantly by using motor chokes or motor filters. KEB recommends the use of motor chokes or filters for a cable length upto 50 m.



Further information on the motor cable length can be found in the corresponding filter instructions.

5.3.4.5 Motor cable length for parallel operation of motors

The resulting motor cable length for parallel operation of motors, or parallel installation with multiple cables arises from the following formula:

$$\text{resulting motor cable length} = \sum \text{single cable lengths} \times \sqrt{\text{Number of motor cables}}$$

5.3.4.6 Motor cable cross-section

The motor cable cross-section is dependent

- on the characteristic of the output current (e.g. harmonic content).
- on the real effective value of the motor current.
- on the cable length.
- on the type of the used cable.
- on the ambient conditions such as bundling and temperature.

5.3.4.7 Interconnection of the motor

NOTICE

Incorrect behaviour of the motor!

- ▶ The connecting-up instructions of the motor manufacturer are always generally valid!

NOTICE

Protect motor against voltage peaks!

- ▶ Drive controllers switch at the output with high dV/dt. Voltage peaks that endanger the insulation system at the motor can occur especially in case of long motor cables (>15 m). A motor choke, a dV/dt-filter or sine-wave filter can be used to protect the motor with regard to the operating mode.

5.3.4.8 Connection of the temperature monitoring and brake control (X1C)

A switchable temperature evaluation is implemented in the COMBIVERT.

There are different types for the evaluation available. These are depending on the control board => *instruction manual „control board“*.

The desired operating mode can be adjusted via software (dr33). If the evaluation is not required, it must be deactivated via software (parameter pn12 = 7) => *Programming manual*

X1C	PIN	Name	Description
	1	BR+	Brake control / output +
	2	BR-	Brake control / output -
	3	reserved	–
	4	reserved	–
	5	TA1	Temperature detection / output +
	6	TA2	Temperature detection / output -

Figure 29: Terminal block X1C for control board APPLICATION and COMPACT

X1C	PIN	Name	Description
	1	BR+	Brake control / output +
	2	BR-	Brake control / output -
	3	0V	For supply of the checkback inputs
	4	24Vout	
	5	DIBR1	Checkback input 1 for brake and relay
	6	DIBR2	Checkback input 2 for brake and relay
	7	reserved	–
	8	reserved	–
	9	TA1	Temperature detection / output +
	10	TA2	Temperature detection / output -

Figure 30: Terminal block X1C for control board PRO

NOTICE

Malfunctions due to incorrect line or laying!

Malfunctions of the control due to capacitive or inductive coupling.

- ▶ Do not route cables from the motor temperature sensor (also shielded) together with control cables.
- ▶ Cables from the motor temperature sensor within the motor cables may only be used with double shielding!
- ▶ The input of the temperature detection has basic isolation.

		<p>For control board APPLICATION and COMPACT. The voltage to the control of a brake is decoupled from the internal voltage supply. The brake works only with external voltage supply.</p> <p>For control board PRO The brake can be supplied with both, internal and external voltage. Voltage tolerances and output currents vary for internal and external voltage supply..</p>
1	COMBIVERT	<p>Respect the specifications => <i>instruction manual „control board“</i></p>
4	Brake	
<p>Figure 31: Connection of the brake control</p>		

		<p>KTY sensors are polarized semiconductors and must be operated in forward direction! To this connect the anode to TA1 and the cathode to TA2! Non-observance leads to incorrect measurements in the upper temperature range. A protection of the motor winding is then no longer guaranteed.</p>
1	Connection via shield plate (if not available, place on the mounting plate).	
<p>Figure 32: Connection of a KTY sensor</p>		

NOTICE

No protection of the motor winding in case of wrong connection.

- ▶ Operate KTY sensors in forward direction.
- ▶ KTY sensors may not be combined with other detections.



Further information about the wiring of the temperature monitoring and the brake control have to be observed in the respective control unit manual.

5.3.5 Connection and use of a braking resistor

⚠ CAUTION**Fire risk by using brake resistors !**

- ▶ The risk of fire can be significantly reduced by using „intrinsically safe braking resistors“ or by using suitable monitoring functions / circuits.

NOTICE**Destruction of the frequency inverter if the value has fallen below the minimum brake resistance value!**

- ▶ The minimum brake resistance value must not fall below!
„3.3 Device data of the 400 V devices“

⚠ CAUTION**Hot surfaces caused by load of the braking resistor!****Burning of the skin!**

- ▶ Cover hot surfaces safe-to-touch.
- ▶ Before touching, check the surface.
- ▶ If necessary, attach warning signs on the system.

5.3.5.1 Terminal block X1A connection braking resistor



Name	Function	Terminal connection	Tightening torque	Crimp connector dimension type	Max. number of conductors ¹⁾
+	Connection for braking resistor (between + and R)	8 mm stud for M8 crimp connector	10...15 Nm 88...132 lb inch	2	For IEC: 2 For UL: 2
R					

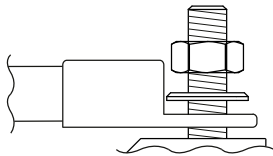
Figure 33: Terminal block X1A connection braking resistor

¹⁾ From 50mm² only one conductor allowed

Crimp connector dimension		Type 2
Max. width	l/mm	19
Max. shaft length	l/mm	46
Max. diameter	l/mm	19

Table 40: Crimp connector dimension braking resistor

NOTICE



Short circuit due too low air and creepage distances!

- The pressing of the crimp connectors must point upwards when connecting 95 mm² cables!

5.3.5.2 Use of non-intrinsically safe braking resistors

⚠ WARNING**Use of non-intrinsically safe braking resistors****Fire or smoke in case of overload or fault!**

- ▶ Only use braking resistors with temperature sensor.
- ▶ Evaluate temperature sensor.
- ▶ Trigger a fault on the drive controller (e.g. external input).
- ▶ Switching off input voltage (e.g. input contactor).
- ▶ Connection examples for non-intrinsically safe braking resistors
- ▶ => *Instructions for use "Installation braking resistors"*



Use of non-intrinsically safe braking resistors with extended temperature monitoring

www.keb.de/fileadmin/media/Manuals/dr/ma_dr_braking-resistors-20116737_en.pdf

Chapter "Connection of a braking resistor with extended temperature monitoring".



5.3.6 DC-bus connection

The DC link of several drive controllers are coupled in a DC-bus connection. This enables energy to be exchanged between the devices and increases the energy efficiency of the application.

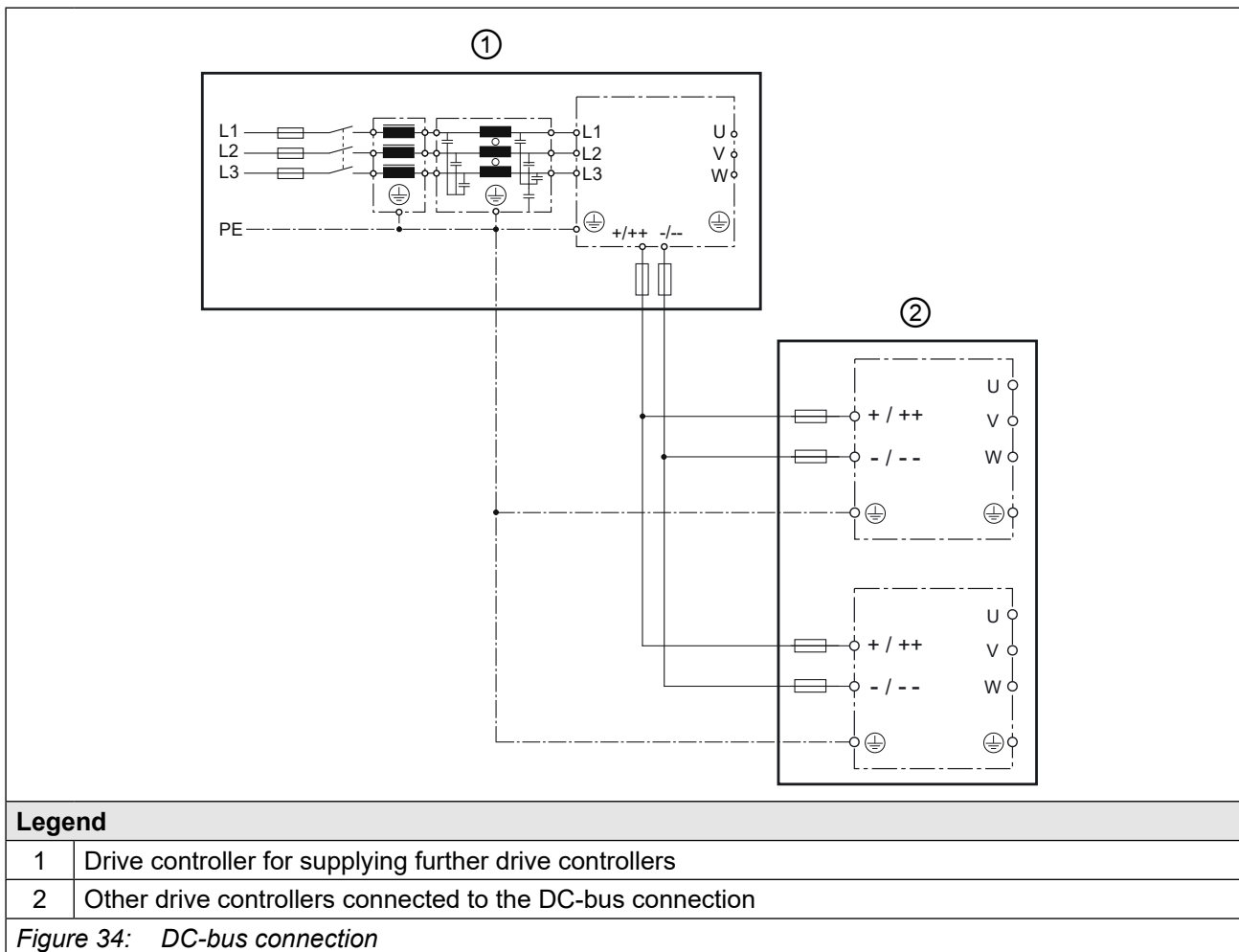
As part of a DC-bus connection, this drive controller can either be supplied via the DC terminals => „5.3.3 DC mains connection“ or supply other drive controllers via the DC terminals => „5.3.2 AC mains connection“.



KEB drive converters meet the requirements of the EMC product standard EN IEC 61800-3 for DC power supplies. Due to the large number of possible interconnection options in the DC network, the user is responsible for ensuring the conformity of the overall system.

The following additional safety instructions must be observed when using this drive controller in a DC-bus connection:

- This drive controller may only be operated together with other F6 and S6 drive controllers of the 400V class in a DC-bus connection.
- This drive controller must be installed in an enclosure.
- This drive controller must be protected with fuses at the DC terminals => „3.3.6.2 Fuse protection for DC supply“.
- If one fuse in the DC-bus connection blows as a result of a short circuit, all fuses in the DC-bus connection should be replaced due to the risk of prior damage.
- The parameterisation of the input phase failure detection must be adapted => F6 Programming manual.



① When using this drive controller to supply other drive controllers via the DC terminals, the following must also be observed:

- The maximum prechargeable total capacity (internal capacity + external capacity) must not be exceeded => „Table 36: DC link / braking transistor function of the 400 V devices“.
- The minimum waiting time between two precharging procedures must be observed => „5.2.1 Connection of the voltage supply“.
- Drive controllers supplied via the DC terminals must not be loaded during precharging.
- Overloading of the rectifier must be prevented by the user => „3.3.4 Overview of rectifiers for 400 V devices“.

② When supplying this drive controller via the DC terminals, the following must also be observed:

- The drive controller must be pre-charged by the supplying drive controller or an external pre-charging module.

5.4 Accessories

5.4.1 Filters and chokes

Voltage class	Drive controller size	HF filters	Mains choke 50 Hz / 4% U_k
230V	18	20E6T60-3000	18Z1B03-1000
	19	22E6T60-3000	19Z1B03-1000

Table 41: Filters and chokes 230 V devices

Voltage class	Drive controller size	HF filters	Mains choke 50 Hz / 4% U_k
400V	21	22E6T60-3000	21Z1B04-1000
	22	22E6T60-3000	22Z1B04-1000

Table 42: Filters and chokes 400 V devices



The specified filters and chokes are designed for rated operation.

5.4.2 Seal for IP54-ready devices

Name	Material number
Seal IP54	60F6T45-0004

Table 43: Seal for IP54-ready devices

5.4.3 Side-mounted braking resistors



Technical data and design about intrinsically safe braking resistors

=> https://www.keb.de/fileadmin/media/Manuals/dr/ma_dr_safe-braking-resistors-20106652_en.pdf



Technical data and design about non-intrinsically safe braking resistors

=> https://www.keb.de/fileadmin/media/Manuals/dr/ma_dr_braking-resistors-20116737_en.pdf



6 Certification

6.1 CE marking


The drive controllers labelled with a CE logo comply with the requirements of the Machinery Directive as well as the EMC and Rohs Directives and energy efficiency regulations.



For further information regarding the CE declarations of conformity

=> „6.3 Further informations and documentation“.

6.2 UL certification

	<p>Acceptance according to UL is marked at KEB drive controllers with the adjacent logo on the nameplate.</p>
---	---

To be conform according to UL for use on the North American and Canadian Market the following additionally instructions must be observed (original text of the UL-File):

- All models:
Maximum Surrounding Air Temperature: 45°C
- Use 75°C Copper Conductors Only
- Control Circuit Overcurrent Protection Required
- Integral solid state short circuit protection does not provide branch circuit protection. Branch circuit protection must be provided in accordance with the Manufacturer Instructions, National Electrical Code and any additional local codes.

CSA: For Canada: Integral solid state short circuit protection does not provide branch circuit protection. Branch circuit protection must be provided in accordance with the Canadian Electrical Code, Part I.

- 480Vac supplied models only:
Only for use in non-corner grounded type WYE source not exceeding 277V phase to ground.
- For installations according to Canadian National Standard C22.2 No. 274-13:
- For use in Pollution Degree 2 and Overvoltage Category III environments only.
- When 480Vac supplied:
Suitable For Use On A Circuit Capable Of Delivering Not More Than 10000 rms Symmetrical Amperes, 480 Volts Maximum when protected by Class J Fuses, see instruction manual for Branch Circuit Protection details.
Suitable For Use On A Circuit Capable Of Delivering Not More Than 100000 rms Symmetrical Amperes, 480 Volts Maximum when protected by Semiconductor Fuses by SIBA (Type 20 189 20.), or by Bussmann (Type 170M13), or by Littelfuse (Type L70QS), see instruction manual for Branch Circuit Protection details.

When 240Vac supplied:
Suitable For Use On A Circuit Capable Of Delivering Not More Than 10000 rms Symmetrical Amperes, 240 Volts Maximum when protected by Class J Fuses, see instruction manual for Branch Circuit Protection details.
Suitable For Use On A Circuit Capable Of Delivering Not More Than 65000 rms Symmetrical Amperes, 240 Volts Maximum when protected by Semiconductor Fuses by SIBA (Type 20 189 20.), or by Bussmann (Type 170M13), or by Littelfuse (Type L70QS), see instruction manual for Branch Circuit Protection details.

When DC supplied:
Suitable For Use On A Circuit Capable Of Delivering Not More Than 50000 Amperes, 680 Volts DC Maximum when protected by Semiconductor Fuses as Specified in the Manual.

- **WARNING** – The opening of the branch circuit protective device may be an indication that a fault current has been interrupted. To reduce the risk of fire or electrical shock, current-carrying parts and other components of the controller should be examined and replaced if damaged. If burnout of the current element of an overload relay occurs, the complete overload relay must be replaced.
- External brake resistor ratings and duty cycle (Only external braking resistors available):
 - Duty cycle 50%
 - Max. 60 sec on-time / 60 sec off-time

6.3 Further informations and documentation

You find supplementary manuals and instructions for the download under www.keb-automation.com/search

General instructions

- EMC and safety instructions
- Manuals for additional control boards, safety modules, fieldbus modules, etc.

Instruction and information for construction and development

- Input fuses in accordance with UL
- Programming manual for control and power unit
- Motor configurator to select the appropriate drive converter and to create downloads for parameterizing the drive converter

Approvals and approbations

- Declaration of conformity CE
- TÜV certificate
- FS certification

Others

- COMBIVIS, the software for comfortable parameterization of drive converters via PC (available per download)
- EPLAN drawings

7 Revision history

Version	Date	Description
00	2024-02	Pre-series version of the manual
01	2025-03	Inclusion of device sizes 19 and 22. Inclusion of the UL description. Editorial changes. Description of the 400 V DC-ready devices included.
02	2025-09	Short-circuit capacity value corrected.
03	2025-09	Correction of radiated interferences.



MORE KEB PARTNERS WORLDWIDE:

www.keb-automation.com/contact





Automation with Drive

www.keb-automation.com

KEB Automation KG Suedstrasse 38 D-32683 Barntrop Tel. +49 5263 401-0 E-Mail: info@keb.de