

COMBIVERT F6

INSTRUCTIONS FOR USE | **INSTALLATION F6 HOUSING 9**
HIGH SPEED DRIVE

Translation of the original manual
Document 20319504 EN 06



Preface

The hardware and software described in this document are products of KEB. The information contained in this document is valid at the time of publishing. KEB reserves the right to update this document in response to misprints, mistakes or technical changes.

Signal words and symbols

Certain procedures within this document can cause safety hazards during the installation or operation of the device. Refer to the safety warnings in this document when performing these procedures. Safety signs are also located on the device where applicable. A safety warning is marked by one of the following warning signs:

DANGER	Dangerous situation, which will cause death or serious injury if this safety warning is ignored.
WARNING	Dangerous situation, which may cause death or serious injury if this safety warning is ignored.
CAUTION	Dangerous situation, which may cause minor injury if this safety warning is ignored.
NOTICE	Situation, which can cause damage to property if this safety warning is ignored.

RESTRICTION

Used when the following statements depend on certain conditions or are only valid for certain ranges of values.



Used for informational messages or recommended procedures.

More symbols

- ▶ This arrow starts an action step.
- / - Enumerations are marked with dots or indents.
- => Cross reference to another chapter or another page.



Note to further documentation.
<https://www.keb-automation.com/search>



Laws and guidelines

KEB Automation KG confirms with the EC declaration of conformity and the CE mark on the device nameplate that it complies with the essential safety requirements.

The EC declaration of conformity can be downloaded on demand via our website.

Warranty and liability

The warranty and liability on design, material or workmanship for the acquired device is given in the general sales conditions.



Here you will find our general sales conditions.
<https://www.keb-automation.com/terms-conditions>



Further agreements or specifications require a written confirmation.

Support

Although multiple applications are referenced, not every case has been taking into account. If you require further information or if problems occur which are not referenced in the documentation, you can request the necessary information via the local KEB agency.

The use of our units in the target products is outside of our control and therefore lies exclusively in the area of responsibility of the customer.

The information contained in the technical documentation, as well as any user-specific advice in spoken and written and through tests, are made to best of our knowledge and information about the intended use. However, they are regarded as being only informal and changes are expressly reserved, in particular due to technical changes. This also applies to any violation of industrial property rights of a third-party. Selection of our units in view of their suitability for the intended use must be done generally by the user.

Tests can only be done within the intended end use of the product (application) by the customer. They must be repeated, even if only parts of hardware, software or the unit adjustment are modified.

Copyright

The customer may use the instructions for use as well as further documents or parts from it for internal purposes. Copyrights are with KEB and remain valid in its entirety.

This KEB product or parts thereof may contain third-party software, including free and/or open source software. If applicable, the license terms of this software are contained in the instructions for use. The instructions for use are already available to you, can be downloaded free of charge from the KEB website or can be requested from the respective KEB contact person.

Other wordmarks or/and logos are trademarks (™) or registered trademarks (®) of their respective owners.

Table of Contents

Preface	3
Signal words and symbols	3
More symbols.....	3
Laws and guidelines.....	4
Warranty and liability.....	4
Support	4
Copyright.....	4
Table of Contents	5
List of Figures	9
List of Tables	10
Glossary	12
Standards for drive controllers	14
Product standards that apply directly to the drive controller	14
Basic standards to which drive controller standards refer directly	14
Standards that are used in the environment of the drive controller.....	15
1 Basic Safety Instructions	16
1.1 Target group	16
1.2 Transport, storage and proper use	16
1.3 Installation	17
1.4 Electrical connection	18
1.4.1 EMC-compatible installation.....	19
1.4.2 Voltage test.....	19
1.4.3 Insulation measurement.....	19
1.5 Start-up and operation	20
1.6 Maintenance	21
1.7 Repair	22
1.8 Disposal	23
2 Product Description	24
2.1 Specified application	24
2.1.1 Residual risks	24
2.2 Unintended use	24
2.3 Product features	25
2.4 Part code	26
2.5 Nameplate	28
2.5.1 Configurable options	29
3 Technical data	30
3.1 Operating conditions	30
3.1.1 Climatic environmental conditions.....	30
3.1.2 Mechanical environmental conditions	31

3.1.3	Chemical / mechanical active substances.....	31
3.1.4	Electrical operating conditions.....	32
3.1.4.1	Device classification	32
3.1.4.2	Electromagnetic compatibility.....	32
3.2	Device data of the High Speed Drive devices.....	33
3.2.1	Overview of the High Speed Drive device data.....	33
3.2.2	Voltage and frequencies for 400V devices.....	34
3.2.2.1	Example of the calculation of the possible motor voltage:	35
3.2.3	Input and output currents / overload.....	36
3.2.3.1	Input and output currents / overload air cooler.....	36
3.2.3.2	Input and output currents / overload Fluid cooler (water).....	36
3.2.3.3	Overload characteristic (OL)	36
3.2.3.4	Frequency-dependent maximum current (OL2)	40
3.2.4	Overview of rectifier data for HSD devices.....	46
3.2.5	Power dissipation at rated operation.....	47
3.2.5.1	Power loss in rated operation Air cooler.....	47
3.2.5.2	Power loss in rated operation Fluid cooler (water).....	47
3.2.6	Fusing of the HSD devices.....	48
3.2.6.1	Fuse protection for AC supply	48
3.2.6.2	Fuse protection for DC supply.....	49
3.3	General electrical data	50
3.3.1	Switching frequency and temperature.....	50
3.3.1.1	Switching frequencies and temperatures for air coolers	50
3.3.1.2	Switching frequencies and temperatures for fluid coolers (water).....	51
3.3.2	DC link / braking transistor.....	52
3.3.2.1	DC link / braking transistor function.....	53
3.3.3	Continuous thermal current.....	54
3.3.4	Sub-mounted braking resistors	55
3.3.5	Fan	56
3.3.5.1	Switching behaviour of the fans	57
3.3.5.2	Switching points of the fans.....	57
4	Installation.....	58
4.1	Dimensions and weights	58
4.1.1	Built-in version air cooler.....	58
4.1.2	Push-through version air cooler IP20, IP54-ready	59
4.1.3	Built-in version fluid cooler (water) High-Performance with aluminium heat sink.....	60
4.1.4	Push-through version fluid cooler (water) High-Performance with aluminium heat sink IP20, IP54-ready.....	61
4.2	Control cabinet installation	62
4.2.1	Control cabinet installation	62
4.2.2	Devices with transport bracket	62
4.2.3	Mounting instructions	63

4.2.4 Mounting distances	64
4.2.5 Installation of IP54-ready devices	65
4.2.6 Control cabinet ventilation	66
4.2.7 Airflow of the drive converter	66

5 Installation and connection 67

5.1 Overview of the COMBIVERT F6	67
5.2 Connection of the power unit.....	70
5.2.1 Connection of the voltage supply	70
5.2.1.1 Terminal block X1A for 400V devices	71
5.2.2 Protective earth and functional earth.....	72
5.2.2.1 Protective earth	72
5.2.2.2 Functional earthing.....	72
5.3 Mains connection	73
5.3.1 Supply cable.....	73
5.3.2 AC mains connection.....	73
5.3.2.1 AC supply 3-phase	73
5.3.3 DC mains connection	74
5.3.3.1 Terminal block X1A DC connection	74
5.3.3.2 Connection at DC voltage supply	75
5.3.4 Connection of the motor	76
5.3.4.1 Wiring of the motor	76
5.3.4.2 Terminal block X1A motor connection	77
5.3.4.3 Selection of the motor line.....	78
5.3.4.4 Motor cable length and conducted interferences at AC supply	78
5.3.4.5 Motor cable length for parallel operation of motors	79
5.3.4.6 Motor cable cross-section	79
5.3.4.7 Interconnection of the motor.....	79
5.3.4.8 Connection of the temperature monitoring and brake control (X1C).....	80
5.3.5 Connection and use of a braking resistor.....	82
5.3.5.1 Terminal block X1A connection braking resistor.....	83
5.3.5.2 Use of non-intrinsically safe braking resistors	84
5.3.6 DC-bus connection.....	85
5.3.7 External heat sink fan supply (FAN).....	87
5.4 Accessories	89
5.4.1 Filters and chokes	89
5.4.2 Seal for IP54-ready devices	89

5.4.3 Side-mounted braking resistors.....89

6 Operation of Liquid-Cooled Devices..... 90

6.1 Water-cooled devices.....90

6.1.1 Heat sink and operating pressure 90

6.1.2 Materials in the cooling circuit 90

6.1.3 Requirements for the coolant 91

6.1.4 Connection of the cooling system 93

6.1.5 Coolant temperature and moisture condensation 94

6.1.5.1 Condensation 94

6.1.5.2 Supply of temper coolant..... 94

6.1.6 Permissible volume flow with water cooling 95

6.1.7 Coolant heating 96

6.1.7.1 Coolant heating 96

6.1.8 Typical pressure drop of the heat sink..... 97

7 Certification..... 98

7.1 CE marking..... 98

7.2 UL certification 99

7.3 Further informations and documentation 101

8 Revision history..... 102

List of Figures

Figure 1:	Nameplate.....	28
Figure 2:	Configurable options	29
Figure 3:	Switch-off time t as a function of the overload $I/INat$ OC level 125% / 135% (OL)	38
Figure 4:	Switch-off time t as a function of the overload $I/INOC$ level 150% (OL)	39
Figure 5:	Typical overload characteristic in the lower output frequencies (OL2) Example 30-unit fluid cooler (water)	41
Figure 6:	Block diagram of the energy flow.....	52
Figure 7:	Switching behaviour of the fans example interior fan	57
Figure 8:	Dimensions built-in version air cooler	58
Figure 9:	Dimensions push-through version air cooler IP20, IP54-ready	59
Figure 10:	Dimensions built-in version fluid cooler (water) High-Performance	60
Figure 11:	Dimensions push-through version fluid cooler (water) High-Performance IP20, IP54-ready	61
Figure 12:	Example of an F6 in housing 8 with M10 ring bolts	62
Figure 13:	Example of an F6 housing 7 with transport brackets	62
Figure 14:	Mounting distances	64
Figure 15:	Installation of IP54-ready devices	65
Figure 16:	Control cabinet ventilation.....	66
Figure 17:	Airflow of the drive converter	66
Figure 18:	F6 housing 9 top view	67
Figure 19:	F6 housing 9 front view.....	68
Figure 20:	F6 housing 9 rear view with control board APPLICATION.....	69
Figure 21:	Input circuit.....	70
Figure 22:	Terminal block X1A for 400 V devices	71
Figure 23:	Connection for protective earth.....	72
Figure 24:	Connection of the mains supply 3-phase.....	73
Figure 25:	Terminal block X1A DC connection.....	74
Figure 26:	Connection at DC voltage supply.....	75
Figure 27:	Wiring of the motor.....	76
Figure 28:	Terminal block X1A motor connection.....	77
Figure 29:	Symmetrical motor line	78
Figure 30:	Terminal block X1C for control board APPLICATION and COMPACT	80
Figure 31:	Terminal block X1C for control board PRO	80
Figure 32:	Connection of the brake control	81
Figure 33:	Connection of a KTY sensor	81
Figure 34:	Terminal block X1A connection braking resistor	83
Figure 35:	DC-bus connection	86
Figure 36:	External heat sink fan supply	87
Figure 37:	Open pipe ends for the connection of the cooling system	93
Figure 38:	Volume flow depending on the total power dissipation PD_{tot} and temperature difference with water-glycol mixture.....	96
Figure 39:	Typical pressure drop depending on the volume flow.....	97

List of Tables

Table 1:	Part code.....	27
Table 2:	Climatic environmental conditions	30
Table 3:	Mechanical environmental conditions	31
Table 4:	Chemical / mechanical active substances	31
Table 5:	Device classification.....	32
Table 6:	Electromagnetic compatibility	32
Table 7:	Overview of the HSD device data	34
Table 8:	Input voltages and frequencies of the 400V devices	34
Table 9:	DC link voltage for 400V devices	35
Table 10:	Output voltages and frequencies of the 400V devices	35
Table 11:	Example of the calculation of the possible motor voltage:.....	35
Table 12:	Input and output currents / overload of the HSD units Air cooler.....	36
Table 13:	Input and output currents / overload of the HSD devices Fluid cooler (water)	36
Table 14:	Frequency-dependent maximum current for appliance size 29 HSD air cooler	42
Table 15:	Frequency-dependent maximum current for appliance size 30 HSD air cooler	42
Table 16:	Frequency-dependent maximum current for appliance size 31 HSD air cooler	43
Table 17:	Frequency-dependent maximum current for device size 30 HSD (fluid cooler water).....	44
Table 18:	Frequency-dependent maximum current for device size 31 HSD (fluid cooler water).....	44
Table 19:	Frequency-dependent maximum current for device size 32 HSD (fluid cooler water).....	45
Table 20:	Frequency-dependent maximum current for device size 33 HSD (fluid cooler water).....	45
Table 21:	Overview of rectifier data for 400 V devices	46
Table 22:	Power loss of the HSD units Air cooler	47
Table 23:	Power loss of the HSD units Fluid cooler (water)	47
Table 24:	Fusing of the HSD devices	48
Table 25:	DC Fusing of the 400 V / 480V devices	49
Table 26:	Switching frequencies and temperatures for air coolers	50
Table 27:	Switching frequencies and temperatures for fluid coolers (water)	51
Table 28:	DC link / braking transistor function of the HSD devices	53
Table 29:	Continuous thermal current for appliance size 29 Air cooler	54
Table 30:	Continuous thermal current for appliance size 30 Air cooler	54
Table 31:	Continuous thermal current for appliance size 31 Air cooler	54
Table 32:	Continuous thermal current for appliance size 30 Fluid cooler (water).....	54
Table 33:	Continuous thermal current for appliance size 31 Fluid cooler (water).....	54
Table 34:	Continuous thermal current for appliance size 32 Fluid cooler (water).....	54
Table 35:	Continuous thermal current for appliance size 33 Fluid cooler (water).....	55
Table 36:	Sub-mounted braking resistors	55
Table 37:	Fan.....	56
Table 38:	Switching points of the fans	57
Table 39:	Mounting instructions for built-in version.....	63
Table 40:	Mounting instructions for push-through version	63
Table 41:	Filters and chokes.....	89
Table 42:	Seal for IP54-ready devices.....	89
Table 43:	Electrochemical series / standard potentials against hydrogen.....	91

Table 44:	Requirements for the coolant.....	91
Table 45:	Special requirements for open and half-open cooling systems	92
Table 46:	Dew point table	94
Table 47:	Permissible volume flow with water cooling.....	95

Glossary

0V	Earth-potential-free common point	Encoder emulation	Software-generated encoder output
1ph	1-phase mains	End customer	The end customer is the user of the customer product
3ph	3-phase mains	Endat	Bidirectional encoder interface of the company Heidenhain
AC	AC current or voltage	EtherCAT	Real-time Ethernet bus system of the company Beckhoff
AFE	From 07/2019 AIC replaces the previous name AFE	Ethernet	Real-time bus system - defines protocols, plugs, types of cables
AFE filter	From 07/2019 AIC filter replaces the previous name AFE filter	FE	Functional earth
AIC	Active Infeed Converter	FSoE	Functional Safety over Ethernet
AIC filter	Filter for Active Infeed Converter	FU	Drive controller
Application	The application is the intended use of the KEB product	GND	Reference potential, ground
ASCL	Asynchronous sensorless closed loop	GTR7	Braking transistor
Auto motor ident.	Automatically motor identification; calibration of resistance and inductance	HF filter	KEB specific term for an EMC filter (for description see EMC filter).
AWG	American wire gauge	Hiperface	Bidirectional encoder interface of the company Sick-Stegmann
B2B	Business-to-business	HMI	Human machine interface (touch screen)
BiSS	Open source real-time interface for sensors and actuators (DIN 5008)	HSP5	Fast, serial protocol
CAN	Fieldbus system	HTL	Incremental signal with an output voltage (up to 30V) -> TTL
c.d.f.	Cyclic duration factor	IEC	IEC xxxxx stands for an international standard of the International Electrotechnical Commission
CDM	Complete drive module including auxiliary equipment (control cabinet)	IPxx	Protection class (xx for class)
COMBIVERT	KEB drive controller	KEB product	The KEB product is subject of this manual
COMBIVIS	KEB start-up and parameterizing software	KTY	Silicium temperature sensor (polarized)
Customer	The customer has purchased a KEB product from KEB and integrates the KEB product into his product (customer product) or resells the KEB product (dealer)	Manufacturer	The manufacturer is KEB, unless otherwise specified (e.g. as manufacturer of machines, engines, vehicles or adhesives)
DC	DC current or voltage	MCM	American unit for large wire cross sections
DI	Demineralized water, also referred to as deionized (DI) water	Modulation	Means in drive technology that the power semiconductors are controlled
DIN	German Institut for standardization	MTTF	Mean service life to failure
DS 402	CiA DS 402 - CAN device profile for drives	NHN	Standard elevation zero; based on the specified height definition in Germany (DHHN2016). The international data generally deviate from this by only a few cm to dm, so that the specified value can be applied to the regionally applicable definition.
ELV	Extra-low voltage	OC	Overcurrent
EMC filter	EMC filters are used to suppress conducted interferences in both directions between the drive controller and the mains	OH	Overheat
Emergency stop	Shutdown of a drive in emergency case (not de-energized)	OL	Overload
Emergency switching off	Switching off the voltage supply in emergency case		
EMS	Energy Management System		
EN	European standard		

OSSD	Output signal switching device; - an output signal that is checked in regular intervals on its shutdown. (safety technology)
PDS	Power drive system incl. motor and measuring probe
PE	Protective earth
PELV	Protective Extra Low Voltage
PFH	Term used in the safety technology (EN 61508-1...7) for the size of error probability
PFH	Term used in the safety technology (EN 61508-1...7) for the size of error probability per hour
PLC	Programmable logic controller
Pt100	Temperature sensor with $R_0=100\Omega$
Pt1000	Temperature sensor with $R_0=1000\Omega$
PTC	PTC-resistor for temperature detection
PWM	Pulse width modulation
RJ45	Modular connector with 8 lines
SCL	Synchronous sensorless closed loop
SELV	Safe extra-low voltage, unearthed
SIL	The safety integrity level is a measure for quantifying the risk reduction. Term used in the safety technology (EN 61508 -1...7)
SS1	Safety function „Safe stop 1“ in accordance with IEC 61800-5-2
SSI	Synchronous serial interface for encoder
STO	Safety function „Safe Torque Off“ in accordance with IEC 61800-5-2
TTL	Logic with 5 V operating voltage
USB	Universal serial bus
VARAN	Real-time Ethernet bus system

Standards for drive controllers

Product standards that apply directly to the drive controller

EN61800-2	Adjustable speed electrical power drive systems - Part 2: General requirements- Rating specifications for low voltage adjustable frequency a.c. power drive systems (VDE 0160-102, IEC 61800-2)
EN61800-3	Speed-adjustable electrical drives. Part 3: EMC requirements and specific test methods (VDE 0160-103, IEC 61800-3)
EN61800-5-1	Adjustable speed electrical power drive systems - Part 5-1: Safety requirements - Electrical, thermal and energy (IEC 61800-5-1); German version EN 61800-5-1
EN61800-5-2	Adjustable speed electrical power drive systems - Part 5-2: Safety Requirements - Functional (IEC 22G/264/CD)
UL61800-5-1	American version of the IEC 61800-5-1 with „National Deviations“ for USA and Canada
EN61800-9-2	Adjustable speed electrical power drive systems - Part 9-2: Ecodesign for power drive systems, motor starters, power electronics and their driven applications - Energy efficiency indicators for power drive systems and motor starters

Basic standards to which drive controller standards refer directly

EN55011	Industrial, scientific and medical equipment - Radio frequency disturbance characteristics - Limits and methods of measurement (IEC 55011/CISPR 11); German version EN 55011
EN60529	Degrees of protection provided by enclosures (IP Code) (IEC 60529)
EN60664-1	Insulation coordination for equipment within low-voltage systems Part 1: Principles, requirements and tests (IEC 60664-1)
EN60721-3-1	Classification of environmental conditions - Part 3-1: Classification of groups of environmental parameters and their severities - Section 1: Storage (IEC 60721-3-1); German version EN 60721-3-1
EN60721-3-2	Classification of environmental conditions - Part 3: Classification of groups of environmental parameters and their severities - Section 2: Transportation and handling (IEC 104/670/CD)
EN60721-3-3	Classification of environmental conditions - Part 3: Classification of groups of environmental parameters and their severities; section 3: Stationary use at weatherprotected locations; Amendment A2 (IEC 60721-3-3); German version EN 60721-3-3 1994)
EN61000-2-1	Electromagnetic compatibility (EMC) - Part 2: Environment - Section 1: Description of the environment - Electromagnetic environment for low-frequency conducted disturbances and signalling in public power supply systems (IEC 61000-2-1)
EN61000-2-4	Electromagnetic compatibility (EMC) - Part 2-4: Environment; Compatibility levels in industrial plants for low-frequency conducted disturbances (IEC 61000-2-4); German version EN 61000-2-4
EN61000-4-2	Electromagnetic compatibility (EMC) - Part 4-2: Testing and measurement techniques - Electrostatic discharge immunity test (IEC 61000-4-2); German version EN 61000-4-2
EN61000-4-3	Electromagnetic compatibility (EMC) - Part 4-3: Testing and measurement techniques - Radiated, radio-frequency, electromagnetic field immunity test (IEC 61000-4-3); German version EN 61000-4-3
EN61000-4-4	Electromagnetic compatibility (EMC) - Part 4-4: Testing and measurement techniques - Electrical fast transient/burst immunity test (IEC 61000-4-4); German version EN 61000-4-4

EN61000-4-5	Electromagnetic compatibility (EMC) - Part 4-5: Testing and measurement techniques - Surge immunity test (IEC 61000-4-5); German version EN 61000-4-5
EN61000-4-6	Electromagnetic compatibility (EMC) - Part 4-6: Testing and measurement techniques - Immunity to conducted disturbances, induced by radio-frequency fields (IEC 61000-4-6); German version EN 61000-4-6
EN61000-4-34	Electromagnetic compatibility (EMC) - Part 4-34: Testing and measurement techniques - Voltage dips, short interruptions and voltage variations immunity tests for equipment with mains current more than 16 A per phase (IEC 61000-4-34); German version EN 61000-4-34
EN61508-1...7	Functional safety of electrical/electronic/programmable electronic safety-related systems – Part 1...7 (VDE 0803-1...7, IEC 61508-1...7)
EN62061	Safety of machinery - functional safety of electrical, electronic and programmable electronic safety-related systems (VDE 0113-50, IEC 62061)
EN ISO 13849-1	Safety of machinery - safety-related parts of control systems - Part 1: General principles for design (ISO 13849-1); German version EN ISO 13849-1

Standards that are used in the environment of the drive controller

DGUV regulation 3	Electrical installations and equipment
DNVGL-CG-0339	Environmental test specification for electrical, electronic and programmable equipment and systems
EN 1037	Safety of machinery - Prevention of unexpected start-up; German version EN 1037
EN 12502-1...5	Protection of metallic materials against corrosion - Part 1...5
EN 60204-1	Safety of machinery - electrical equipment of machines Part 1: General requirements (VDE 0113-1, IEC 44/709/CDV)
EN 60439-1	Low-voltage switchgear and controlgear assemblies - Part 1: Type-tested and partially type-tested assemblies (IEC 60439-1); German version EN 60439-1
EN 60947-7-1	Low-voltage switchgear and controlgear - Part 7-1: Ancillary equipment - Terminal blocks for copper conductors (IEC 60947-7-1:2009); German version EN 60947-7-1:2009
EN 60947-8	Low-voltage switchgear and controlgear - Part 8: Control units for built-in thermal protection (PTC) for rotating electrical machines (IEC 60947-8:2003 + A1:2006 + A2:2011)
EN 61373	Railway applications - Rolling stock equipment - Shock and vibration tests (IEC 61373); German version EN 61373
EN 61439-1	Low-voltage switchgear and controlgear assemblies - Part 1: General rules (IEC 121B/40/CDV); German version FprEN 61439-1
VGB S 455 P	Water treatment and use of materials in cooling systems
VDE 0100	Erection of low-voltage systems – Compliance with all parts (IEC 60364-x-x)
DIN EN 60939-1	Passive filter units for electromagnetic interference suppression - Part 1: Generic specification (IEC 60939-1:2010); German version EN 60939-1:2010

1 Basic Safety Instructions

The products are designed and constructed in accordance with state-of-the-art technology and the recognized safety rules and regulations. However, the use of such devices may cause functional hazards for life and limb of the user or third parties, or damages to the system and other material property.

The following safety instructions have been created by the manufacturer for the area of electric drive technology. They can be supplemented by local, country- or application-specific safety instructions. This list is not exhaustive. Violation of the safety instructions by the customer, user or other third party leads to the loss of all resulting claims against the manufacturer.

NOTICE



Hazards and risks through ignorance!

- ▶ Read the instructions for use!
- ▶ Observe the safety and warning instructions!
- ▶ If anything is unclear, please contact KEB Automation KG!

1.1 Target group

This instruction manual is determined exclusively for electrical personnel. Electrical personnel for the purpose of this instruction manual must have the following qualifications:

- Knowledge and understanding of the safety instructions.
- Skills for installation and assembly.
- Start-up and operation of the product.
- Understanding of the function in the used machine.
- Detection of hazards and risks of the electrical drive technology.
- Knowledge of *VDE 0100*
- Knowledge of national safety regulations.

1.2 Transport, storage and proper use

The transport is carried out by qualified persons in accordance with the environmental conditions specified in this manual. Drive controller shall be protected against excessive strains.



Transport of drive controllers with an edge length >75 cm

The transport by forklift without suitable tools can cause a deflection of the heat sink. This leads to premature aging or destruction of internal components.

- ▶ Transport of drive controllers on suitable pallets.
- ▶ Do not stack drive controllers or burden them with other heavy objects.

NOTICE

Damage to the coolant connections

Bending of the tubes!

- ▶ Never place the device on the coolant connections



Drive controllers contain electrostatic sensitive components.

- ▶ Avoid contact.
 - ▶ Wear ESD-protective clothing.
-

Do not store drive controllers

- in the environment of aggressive and/or conductive liquids or gases.
- with direct sunlight.
- outside the specified environmental conditions.

1.3 Installation

⚠ DANGER

Do not operate in an explosive environment!

- ▶ The product is not intended for the use in potentially explosive environment.
-

⚠ CAUTION

Design-related edges and high weight!
Contusions and bruises!

- ▶ Never stand under suspended loads.
 - ▶ Wear safety shoes.
 - ▶ Secure drive controller accordingly when using lifting gear.
-

To prevent damages to the device:

- Make sure that no components are bent and/or isolation distances are changed.
- The device must not be put into operation in case of mechanical defects.
- Do not allow moisture or mist to penetrate the unit.
- Avoid dust permeating the device. Allow for sufficient heat dissipation if installed in a dust-proof housing.
- Note installation position and minimum distances to surrounding elements. Do not cover the ventilation openings.
- Mount the drive controller according to the specified degree of protection.
- Make sure that no small parts fall into the COMBIVERT during assembly and wiring (drilling chips, screws etc.). This also applies to mechanical components, which can lose small parts during operation.
- Check the reliable fit of the device connections in order to avoid contact resistances and sparking.
- Do not walk-on drive controller.
- Follow all safety instructions!

1.4 Electrical connection

⚠ DANGER



Voltage at the terminals and in the device !

Danger to life due to electric shock !

- ▶ Never work on the open device or never touch exposed parts.
- ▶ For any work on the unit switch off the supply voltage, secure it against switching on and check absence of voltage by measuring at the input terminals.
- ▶ Wait until all drives has been stopped in order that no regenerative energy can be generated.
- ▶ Await capacitor discharge time (5 minutes). Check absence of voltage by measuring at the DC terminals.
- ▶ If personal protection is required, install suitable protective devices for drive converters.
- ▶ Never bridge upstream protective devices (even for testing purposes).
- ▶ Connect the protective earth conductor always to drive converter and motor.
- ▶ Install all required covers and protective devices for operation.
- ▶ The control cabinet shall be kept closed during operation.
- ▶ Residual current: This product may cause a dc current in the protective earth conductor. When a residual current protective device (RCD) or a residual current monitoring device (RCM) is used for the protection against direct or indirect contact, only a RCD or RCM type B is permitted on the power supply side of this product.
- ▶ Drive converters with a leakage current > 3.5mA AC current (10mA DC current) are intended for a stationary connection. Protective earth conductors must be designed in accordance with the local regulations for equipment with high leakage currents according to [EN 61800-5-1](#), [EN 60204-1](#) or [VDE 0100](#).



If personnel protection is required during installation of the system, suitable protective devices must be used for drive controllers.

www.keb.de/fileadmin/media/Techinfo/dr/tn/ti_dr_tn-rcd-00008_en.pdf



Installations which include drive controller shall be equipped with additional control and protective devices in accordance with the relevant applicable safety requirements, e.g. act respecting technical equipment, accident prevention rules etc. They must always be complied with, also for drive controller bearing a CE marking.

For a trouble-free and safe operation, please pay attention to the following instructions:

- The electrical installation shall be carried out in accordance with the relevant requirements.
- Cable cross-sections and fuses must be dimensioned by the user according to the specified minimum/maximum values for the application.
- Connection of the drive converter is only permissible on symmetrical networks with a maximum line voltage (L1, L2, L3) with respect to earth (N/PE) of max. 300 V, USA UL: 480 / 277 V. An isolating transformer must be used for supply networks which exceed this value! In case of non-compliance the control is not longer considered to be a PELV circuit.
- With existing or newly wired circuits the person installing the units or machines must ensure that the PELV requirements are met.
- For drive converters that are not isolated from the supply circuit (in accordance with [EN 60721-3-2](#)) all control lines must be included in other protective measures (e.g. double insulation or shielded, earthed and insulated).
- When using components without isolated inputs/outputs, it is necessary that equipotential bonding exists between the components to be connected (e.g. by the equipotential line). Disregard can cause destruction of the components by equalizing currents.

1.4.1 EMC-compatible installation

Observance of the limit values required by EMC law is the responsibility of the customer.



Notes on EMC-compatible installation can be found here.
www.keb.de/fileadmin/media/Manuals/dr/emv/0000neb0000.pdf



1.4.2 Voltage test

Testing with AC voltage (in accordance with [EN 60204-1](#) chapter 18.4) may not be executed, since there is danger for the power semiconductors in the drive controller.



Due to the radio interference suppression capacitors, the test generator will switch off immediately with a current fault.



According to [EN 60204-1](#) it is permissible to disconnect already tested components. Drive controllers of the KEB Automation KG are delivered ex works voltage tested to 100% according to product standard.

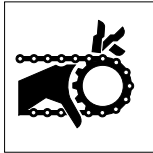
1.4.3 Insulation measurement

An insulation measurement (in accordance with [EN 60204-1](#) chapter 18.3) with DC 500 V is permissible, if all power unit connections (grid-connected potential) and all control connections are bridged with PE. The insulation resistance of the respective device can be found in the technical data.

1.5 Start-up and operation

The start-up (i.e. for the specified application) is forbidden until it is determined that the installation complies with the machine directive; account is to be taken of *EN 60204-1*.

⚠ WARNING



Software protection and programming!

Hazards caused by unintentional behavior of the drive!

- ▶ Check especially during initial start-up or replacement of the drive controller if parameterization is compatible to application.
- ▶ Securing a unit solely with software-supported functions is not sufficient. It is imperative to install external protective measures (e.g. limit switch) that are independent of the drive controller.
- ▶ Secure motors against automatic restart.

⚠ CAUTION



High temperatures at heat sink and coolant!

Burning of the skin!

- ▶ Cover hot surfaces safe-to-touch.
- ▶ If necessary, attach warning signs on the system.
- ▶ Before touching, check the surface and coolant lines.
- ▶ Before working let the unit cool down.

- During operation, all covers and doors shall be kept closed.
- Use only approved accessories for this device.
- Never touch terminals, busbars or cable ends.

⚠ CAUTION



High sound level during operation!

Hearing damage possible!

- ▶ Wear hearing protection!

NOTICE

Continuous operation (S1) with load > 60 % or from a rated motor power of 55 kW!

Premature ageing of the electrolytic capacitors!

- ▶ Mains choke with $U_k = 4\%$ absolutely necessary.



If a drive controller with electrolytic capacitors in a DC link has not been in operation for more than one year, observe the following instructions.

www.keb.de/fileadmin/media/Techinfo/dr/tn/ti_dr_tn-format-capacitors-00009_en.pdf



Switching at the output

Switching between motor and drive controller is prohibited for single drives during operation as this may trigger the protection gear of the device. Function ‚speed search‘ must be activated if switching can not be avoided. Speed search may only be triggered after closing the motor contactor (e.g. by switching the control release).

Connecting and disconnecting is permissible with multiple motor drives if at least 1 motor is running during the switch-over process. The drive controller must be dimensioned to the occurring starting currents.

The ‚speed search‘ function must be activated if the motor is still running during a restart of the drive controller (mains on) (e.g. due to large rotating masses).

Switching at the input

For applications that require cyclic switching off and on of the drive controller, maintain an off-time of at least 5 min after the last switch on. If you require shorter cycle times please contact KEB Automation KG.

Short-circuit resistance

The drive converters are conditional short-circuit proof. After resetting the internal protection devices, the function as directed is guaranteed.

Exceptions:

- If an earth-leakage fault or short-circuit often occurs at the output, this can lead to a defect in the unit.
- If a short-circuit occurs during regenerative operation (2nd or 4th quadrant, regeneration into the DC link), this can lead to a defect in the unit.

1.6 Maintenance

The following maintenance work has to be carried out when required, but at least once per year by authorized and trained personnel. Check unit for loose screws and plugs and tighten if necessary.

- ▶ Check system for loose screws and plugs and tighten if necessary.
- ▶ Clean drive controller from dirt and dust deposits. Pay attention especially to cooling fins and protective grid of the fans.
- ▶ Examine and clean extracted air filter and cooling air filter of the control cabinet.
- ▶ Check the function of the fans of the drive controller. The fan must be replaced in case of audible vibrations or squeak.
- ▶ In the case of liquid-cooled drive controllers a visual test of the cooling circuit for leaks and corrosion must be carried out. The cooling circuit must be completely empty if a unit shall be switched off for a longer period. The cooling circuit must be blown out additionally with compressed air at temperatures below 0°C.

1.7 Repair

In case of malfunction, unusual noises or smells inform a person in charge!

DANGER



Unauthorized exchange, repair and modifications!

Unpredictable malfunctions!

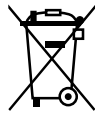
- ▶ The function of the drive controller is dependent on its parameterization. Never replace without knowledge of the application.
- ▶ Modification or repair is permitted only by KEB Automation KG authorized personnel.
- ▶ Only use original manufacturer parts.
- ▶ Infringement will annul the liability for resulting consequences.

In case of failure, please contact the machine manufacturer. Only the machine manufacturer knows the parameterisation of the used drive controller and can provide an appropriate replacement or induce the maintenance.

1.8 Disposal

Electronic devices of the KEB Automation KG are exclusively professional devices for further industrial processing (so-called B2B devices).

Manufacturers of B2B devices are obliged to take back and recycle devices manufactured after 14.08.2018. These devices may not be disposed at the collection centres of public sector disposal organisations.



If no deviating agreement has been made between the customer and KEB or no deviating mandatory legal regulation exists, KEB products marked in this way can be returned. Company and keyword to the return point can be taken from the list below. Shipping costs are paid by the customer. Thereupon the devices will be professionally recycled and disposed.

The entry numbers are listed country-specific in the following table. The corresponding KEB return addresses can be found on our website.

Withdrawal by	WEEE-Reg.-No.	Keyword
Austria		
KEB Automation GmbH	ERA: 51976	Stichwort „Rücknahme WEEE“
France		
RÉCYLUM - Recycle point	ADEME: FR021806	Mots clés „KEB DEEE“
Germany		
KEB Automation KG	EAR: DE12653519	Stichwort „Rücknahme WEEE“
Italy		
COBAT	AEE: (IT) 19030000011216	Parola chiave „Ritiro RAEE“
Spain		
KEB Automation KG	RII-AEE 7427	Palabra clave „Retirada RAEE“
Česko		
KEB Automation KG	RETELA 09281/20 ECZ	Klíčové slovo: Zpětný odběr OEEZ
Slowakei		
KEB Automation KG	ASEKOL: RV22EEZ0000421	Klíčové slovo: "Spätný odber OEEZ"

The packaging must be feed to paper and cardboard recycling.

2 Product Description

The device series COMBIVERT F6 concerns to drive controllers, which are optimized for operation at synchronous and asynchronous motors.

The COMBIVERT can be extended with a safety module for the use in safety-oriented applications. The COMBIVERT F6 series are drive converters with functional safety, optimized for operation at synchronous and asynchronous motors.

Various safety functions are available for different applications. It can be operated with a fieldbus module at different fieldbus systems. The control board has a system comprehensive operating concept.

The COMBIVERT complies with the requirements of the Machinery Directive. The possible functions are certified via a type test.

The COMBIVERT is a product of limited availability in accordance with [EN 61800-3](#). This product may cause radio interference in residential areas. In this case the operator may need to take corresponding measures.

The Machinery Directive, EMC Directive, Low Voltage Directive and other directives and regulations must be observed

2.1 Specified application

The COMBIVERT serves exclusively for the control and regulation of three-phase motors. It is intended for the installation into electrical systems or machines in the industrie.

Technical data and information for connection conditions shall be taken from the nameplate and from the instructions for use and must be strictly observed.

The used semiconductors and components of the KEB Automation KG are developed and dimensioned for the use in industrial products.

Restriction

If the product is used in machines, which work under exceptional conditions or if essential functions, life-supporting measures or an extraordinary safety step must be fulfilled, the necessary reliability and security must be ensured by the machine builder.

2.1.1 Residual risks

Despite intended use, the drive converter can reach unexpected operating conditions in case of error, with wrong parameterization, by faulty connection or unprofessional interventions and repairs. This can be:

- wrong direction of rotation
- motor speed too high
- motor is running into limitation
- motor can be under voltage even in standstill
- automatic start

2.2 Unintended use

The operation of other electric consumers is prohibited and can lead to the destruction of the devices. The operation of our products outside the indicated limit values of the technical data leads to the loss of any liability claims.

2.3 Product features

These instructions for use describe the power units of the following devices:

Device type:	Drive controller
Series:	COMBIVERT F6
Power range:	250...450 kW / 400 V
Housing:	9 High Speed Drive

The COMBIVERT F6 is characterized by the following features:

- Operation of three-phase asynchronous motors and three-phase synchronous motors, in operating modes open-loop or closed-loop with and without speed feedback
- Following fieldbus systems are supported:
EtherCAT, VARAN, PROFINET, POWERLINK or CAN
- System-overlapping operating concept
- Wide operating temperature range
- Low switching losses by IGBT power unit
- Low noise development due to high switching frequencies
- Different heat sink concepts
- Temperature-controlled fan, easily replaceable
- Torque limits and s-curves are adjustable to protect gearboxes
- General protection functions of the COMBIVERT series against overcurrent, overvoltage, ground fault and overtemperature
- Analog inputs and outputs, digital inputs and outputs, relay output (potential-free), brake control and -supply, motor protection by I²t, KTY- or PTC input, two encoder interfaces, diagnostic interface, fieldbus interface (depending on the control board)
- Integrated safety function according to [EN 61800-5-2](#)

2.4 Part code

xx F6 xx-x-xx

Heat sink version

1: Air-cooler, mounted version
2: Liquid cooler (water), mounted version
3: Air-cooler, through-mount version IP54-ready
4: Liquid cooler (water), through-mount version IP54-ready
5: Air-cooler, through-mount version IP20
6: Liquid cooler (water), trough-mount version IP54-ready, sub-mounted braking resistors
7: Liquid cooler (oil), through-mount version IP54-ready
8: Liquid cooler (oil), through-mount version IP54-ready, sub-mounted braking resistors
9: Liquid cooler (water), mounted version, sub-mounted braking resistors
A: Liquid cooler (water), mounted version, High Performance, sub-mounted braking resistors
B: Liquid cooler (water), through-mount version, IP54-ready, High Performance, sub-mounted braking resistors
C: Air-cooler, mounted version, Version 2
D: Air-cooler, mounted version, High-Performance
E: Liquid cooler (water), mounted version, High-Performance
F: Air-cooler, through-mount version IP54-ready, High-Performance
G: Liquid cooler (water), trough-mount version IP54-ready, High-Performance
H: Air-cooler,, Convektion, trough-mount version IP54-ready

Control board variant

APPLIKATION
1: Multi Encoder Interface, CAN ^{® 2)} , Real-Time Ethernet-busmodule ³⁾
B Multi Encoder Interface, CAN ^{® 2)} , Real-Time Ethernet-busmodule ³⁾ , Alternative connector
KOMPAKT
1: Multi Encoder Interface, CAN ^{® 2)} , STO, EtherCAT ^{® 1)}
2: Multi Encoder Interface, CAN ^{® 2)} , STO, VARAN
PRO
0: No Encoder, CAN ^{® 2)} , Real-Time Ethernetinterface ³⁾
1: Multi Encoder Interface, CAN ^{® 2)} , Real-Time Ethernet interface ³⁾
3: Multi Encoder Interface, CAN ^{® 2)} , Real-Time Ethernet interface ³⁾ , RS485-potential free
4: No Encoder, CAN ^{® 2)} , Real-Time Ethernetinterface ³⁾ , safe relay
5: Multi Encoder Interface, CAN ^{® 2)} , Real-Time Ethernet interface ³⁾ , safety relay
B: Multi Encoder Interface, CAN ^{® 2)} , Real-Time Ethernet interface ³⁾ , alternative connector

continued on the next page

x x	F 6	x	x	x	-x	x	x	x
		Switching frequency, Software current limit, Turn-off current		0: 2 kHz / 125% / 150%	8: 2 kHz / 180% / 216%			
				1: 4 kHz / 125% / 150%	9: 4 kHz / 180% / 216%			
				2: 8 kHz / 125% / 150%	A: 8 kHz / 180% / 216%			
				3: 16 kHz / 125% / 150%	B: 8 kHz / HSD			
				4: 2 kHz / 150% / 180%	C: 6 kHz / HSD			
				5: 4 kHz / 150% / 180%	Non standard switching		D: frequency / Overload characteristic	
				6: 8 kHz / 150% / 180%	E: Special Device			
				7: 16 kHz / 150% / 180%				
		Voltage / Connection type		1: 3ph 230 V AC/DC with braking transistor				
				2: 3ph 230 V AC/DC without braking transistor				
				3: 3ph 400 V AC/DC with braking transistor				
				4: 3ph 400 V AC/DC without braking transistor				
				A: 3ph 400 V AC/DC incl. GTR7 / max. rectifier / max. pre-charging				
				B: 3ph 400 V AC/DC without GTR7 / max. rectifier / max. pre-charging				
				C: 3ph 400 V AC/DC. GTR7-variant 2				
				D: 3ph 400 V AC/DC GTR7-variant 2 / max. rectifier / max. pre-charging				
		Housing		2...9				
		Equipment		1: Safety module type 1 /STO at control type K				
				3: Safety module type 3				
				4: Safety module type 4				
				5: Safety module type 5				
		Control type		A: APPLICATION				
				K: COMPACT				
				P: PRO				
		Series		COMBIVERT F6				
		Inverter size		10...33				

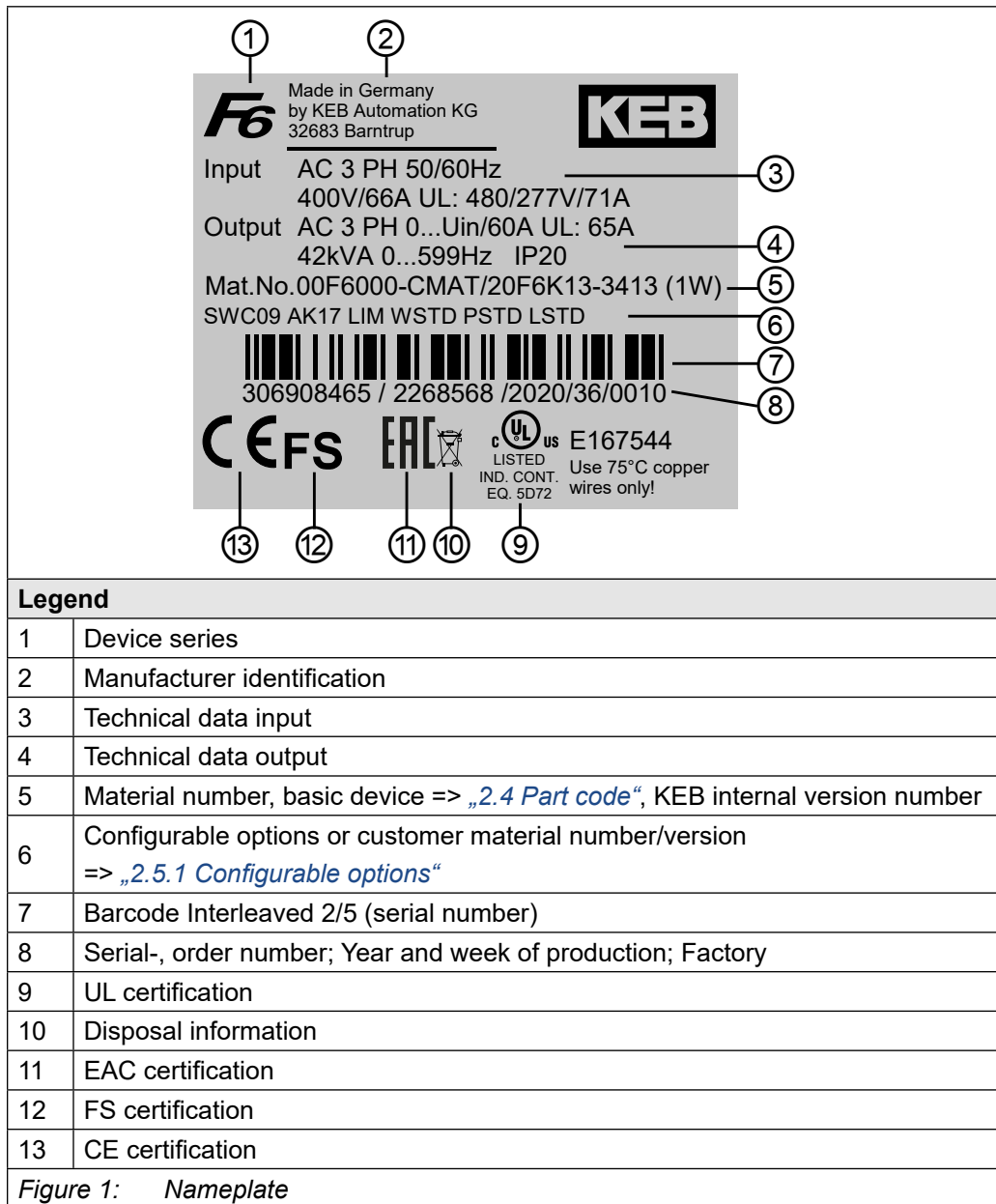
Table 1: Part code

- 1) EtherCAT® is registered trademark and patented technology, licensed by Beckhoff Automation GmbH, Germany
- 2) CANopen® is registered trademark of CAN in AUTOMATION - International Users and Manufacturers Group e.V.
- 3) The Real-Time Ethernetbusmodul / Real-Time Ethernet interface contains various fieldbus control types which can be adjusted by software (parameter fb68)



The part code may not be used as order code, but only for identification!

2.5 Nameplate



2.5.1 Configurable options

Features	Feature values	Description
Software	SWxxx ¹⁾	Software status of the drive converter
Accessories	Axxx ¹⁾	Selected accessories
	NAK	No accessories
Output frequency activation	LIM	Limitation to 599 Hz
	ULO	> 599 Hz activated
Warranty	WSTD	Warranty - Standard
	Wxxx ¹⁾	Warranty extension
Parameterization	PSTD	Parameterization - Standard
	Pxxx ¹⁾	Parameterization - Customer-specific
Nameplate logo	LSTD	Logo - Standard
	Lxxx ¹⁾	Logo - Customer-specific
<i>Figure 2: Configurable options</i>		

¹⁾ „x“ indicates a variable value

3 Technical data

Unless otherwise indicated, all electrical data in the following chapter refer to a 3-phase AC mains.

3.1 Operating conditions

3.1.1 Climatic environmental conditions

Storage		Standard	Class	Descriptions
Ambient temperature		EN 60721-3-1	1K4	-25...55 °C
Relative humidity		EN 60721-3-1	1K3	5...95 % (without condensation)
Storage height		–	–	Max. 3000 m above sea level
Transport		Standard	Class	Descriptions
Ambient temperature		EN 60721-3-2	2K3	-25...70 °C
Relative humidity		EN 60721-3-2	2K3	95 % at 40 °C (without condensation)
Operation		Standard	Class	Descriptions
Ambient temperature		EN 60721-3-3	3K3	5...40 °C (extended to -10...45 °C)
Coolant inlet temperature	Air	–	–	5...40 °C (extended to -10...45 °C)
	Water ¹⁾	–	–	5...55 °C
Relative humidity		EN 60721-3-3	3K3	5...85 % (without condensation)
Version and degree of protection		EN 60529	IP20	Protection against foreign material > ø12.5 mm No protection against water Non-conductive pollution, occasional condensation when PDS is out of service. Drive controller generally, except power connections and fan unit (IPxxA)
Site altitude		–	–	Max. 2000 m above sea level • With site altitudes over 1000 m a derating of 1 % per 100 m must be taken into consideration. • With site altitudes over 2000 m, the control board to the mains has only basic isolation. Additional measures must be taken when wiring the control.

Table 2: Climatic environmental conditions

¹⁾ Observe the notes on the coolant => „6.1.3 Requirements for the coolant“

3.1.2 Mechanical environmental conditions

Storage		Standard	Class	Descriptions
Vibration limits		EN 60721-3-1	1M2	Vibration amplitude 1.5 mm (2...9 Hz) Acceleration amplitude 5 m/s ² (9...200 Hz)
Shock limit values		EN 60721-3-1	1M2	40 m/s ² ; 22 ms
Transport		Standard	Class	Descriptions
Vibration limits		EN 60721-3-2	2M1	Vibration amplitude 3.5 mm (2...9 Hz) Acceleration amplitude 10 m/s ² (9...200 Hz) (Acceleration amplitude 15 m/s ² (200...500 Hz)) ¹⁾
Shock limit values		EN 60721-3-2	2M1	100 m/s ² ; 11 ms
Operation		Standard	Class	Descriptions
Vibration limits		EN 60721-3-3	3M4	Vibration amplitude 3.0 mm (2...9 Hz) Acceleration amplitude 10 m/s ² (9...200 Hz)
		EN 61800-5-1	–	Vibration amplitude 0.075 mm (10...57 Hz) Acceleration amplitude 10 m/s ² (57...150 Hz)
Shock limit values		EN 60721-3-3	3M4	100 m/s ² ; 11 ms
Pressure in the water cooler		–	–	Rated operating pressure: 10 bar Max. operating pressure: 10 bar

Table 3: Mechanical environmental conditions

¹⁾ Not tested.

3.1.3 Chemical / mechanical active substances

Storage		Standard	Class	Descriptions
Contamination	Gases	EN 60721-3-1	1C2	–
	Solids		1S2	–
Transport		Standard	Class	Descriptions
Contamination	Gases	EN 60721-3-2	2C2	–
	Solids		2S2	–
Operation		Standard	Class	Descriptions
Contamination	Gases	EN 60721-3-3	3C2	–
	Solids		3S2	–

Table 4: Chemical / mechanical active substances

3.1.4 Electrical operating conditions

3.1.4.1 Device classification

Requirement	Standard	Class	Descriptions
Overvoltage category	EN 61800-5-1	III	–
Pollution degree	EN 60664-1	2	Non-conductive pollution, occasional condensation when PDS is out of service

Table 5: Device classification

3.1.4.2 Electromagnetic compatibility

For devices without an internal filter, an external filter is required to comply with the following limits.

EMC emitted interference	Standard	Class	Descriptions
Conducted interference emission	EN 61800-3	C2 / C3	The specified value is only maintained in conjunction with a filter. Information on interference suppression (rated switching frequency, max. motor cable length) can be found in the corresponding filter instructions.
Radiated emitted interference	EN 61800-3	C3	The specified value is only maintained in conjunction with a filter. Information on interference suppression (rated switching frequency, max. motor cable length) can be found in the corresponding filter instructions.
Immunity	Standard	Level	Descriptions
Static discharges	EN 61000-4-2	8 kV 4 kV	AD (air discharge) CD (contact discharge)
Burst - Ports for process measurement control lines and signal interfaces	EN 61000-4-4	2 kV	–
Burst - AC - Power ports	EN 61000-4-4	4 kV	–
Surge - Power ports	EN 61000-4-5	1 kV 2 kV	Phase-phase Phase-ground
Conducted immunity, induced by high-frequency fields	EN 61000-4-6	10 V	0.15...80 MHz
Electromagnetic fields	EN 61000-4-3	10 V/m 3 V/m 1 V/m	80 MHz...1 GHz 1.4...2 GHz 2...2.7 GHz
Voltage fluctuations/ voltage dips	EN 61000-2-1 EN 61000-4-34	–	-15 %...+10 % Class 3
Frequency changes	EN 61000-2-4	–	≤ 2 %
Voltage deviations	EN 61000-2-4	–	±10 %
Voltage unbalances	EN 61000-2-4	–	≤ 3 %

Table 6: Electromagnetic compatibility

3.2 Device data of the High Speed Drive devices

3.2.1 Overview of the High Speed Drive device data

The technical data are for 2/4-pole standard motors. With other pole numbers the drive controller must be dimensioned onto the rated motor current. Contact KEB for special or medium frequency motors.

Device size		29	30	31	30 ⁹⁾	31 ⁹⁾	32 ⁹⁾	33 ⁹⁾
Housing		9						
Device type		High Speed Drive						
Rated apparent output power	S_{out} / kVA	319	395	436	395	436	492	554
Max. rated motor power	¹⁾ P_{mot} / kW	250	315	355	315	355	400	450
Rated input voltage	U_N / V	400 (UL: 480)						
Input voltage range	U_{in} / V	280...550						
Mains phases		3						
Mains frequency	f_N / Hz	50 / 60 ±2						
Rated input current @ $U_N = 400V$	I_{in} / A	485	600	660	600	660	746	840
Rated input current @ $U_N = 480V$	I_{in_UL} / A	414	513	575	513	575	646	726
Insulation resistance @ $U_{dc} = 500V$	R_{iso} / MΩ	> 15						
Output voltage	U_{out} / V	0... U_{in}						
Output frequency	²⁾ f_{out} / Hz	0...599 (0...2000)						
Output phases		3						
Rated output current @ $U_N = 400V$	I_N / A	460	570	630	570	630	710	800
Rated output current @ $U_N = 480V$	I_{N_UL} / A	400	495	545	495	545	615	692
Rated output overload (60s)	^{3) 4)} I_{60s} / %	125	115	106	125	125	125	125
Software current limit	³⁾ I_{lim} / %	125	112,5	112,5	125	125	125	125
Overcurrent	³⁾ I_{OC} / %	150	135	125	150	150	150	150
Rated switching frequency	f_{SN} / kHz	6	6	6	8	8	8	8
Max. switching frequency	⁵⁾ f_{S_max} / kHz	8	8	8	8	8	8	8
Power dissipation at rated operation	¹⁾ P_D / kW	5,9	7,4	8,2	8,05	9	10,5	12
Overload current over time	³⁾ I_{OL} / %	„3.2.3.3 Overload characteristic (OL)“						
Maximum current 0Hz/50Hz at $f_s = 2$ kHz	I_{out_max} / %	137 / 150	110 / 135	100 / 125	–	–	–	–
Maximum current 0Hz/50Hz at $f_s = 4$ kHz	I_{out_max} / %	88 / 150	71 / 135	64 / 125	–	–	–	–
Maximum current 0Hz/50Hz at $f_s = 6$ kHz	I_{out_max} / %	73 / 150	59 / 135	53 / 125	–	–	–	–

continued on the next page

DEVICE DATA OF THE HIGH SPEED DRIVE DEVICES

Device size		29	30	31	30 ⁹⁾	31 ⁹⁾	32 ⁹⁾	33 ⁹⁾
Housing		9						
Device type		High Speed Drive						
Maximum current 0Hz/50Hz at $f_s=8\text{ kHz}$	$I_{out_max}/\%$	58 / 103	47 / 83	42 / 75	–	–	–	–
Maximum current 0Hz/100Hz at $f_s=2\text{ kHz}$	$I_{out_max}/\%$	–	–	–	110 / 150	110 / 150	105 / 150	100 / 150
Maximum current 0Hz/100Hz at $f_s=4\text{ kHz}$	$I_{out_max}/\%$	–	–	–	101 / 150	95 / 150	85 / 150	75 / 150
Maximum current 0Hz/100Hz at $f_s=8\text{ kHz}$	$I_{out_max}/\%$	–	–	–	53 / 150	48 / 150	42 / 142	34 / 126
Max. braking current	I_{B_max} / A	600						
Min. braking resistor value	R_{B_min} / Ω	1,3						
Braking transistor ⁶⁾		Max. cycle time: 120 s; Max c.d.f.: 25 %						
Protective function for braking transistor		Short-circuit monitoring						
Protective function braking resistor (Error GTR7 always on) ⁷⁾		Feedback signal evaluation and current switch-off (only for AC mains connection)						
Max. motor cable length shielded ⁸⁾	l / m	100						

Table 7: Overview of the HSD device data

- ¹⁾ Rated operation corresponds to $U_N = 400\text{V}$, rated switching frequency, output frequency = 50Hz (4-pole standard asynchronous motor).
- ²⁾ The output frequency is to be limited in such a way that it does not exceed 1/10 of the switching frequency. Notice! Devices with a maximum output frequency higher than 599Hz are subject to export restrictions.
- ³⁾ The values refer in % to the rated output current I_N .
- ⁴⁾ Observe limitations => „3.2.3.3 Overload characteristic (OL)“.
- ⁵⁾ A detailed description of the Derating => „3.3.1 Switching frequency and temperature“.
- ⁶⁾ The cyclic duration factor is additionally limited by the used braking resistor.
- ⁷⁾ The feedback signal evaluation monitors the functionality of the braking transistor. The power is switched off via the internal mains input bridge of the AC supply. There is no current switch-off with DC voltage supply.
- ⁸⁾ The maximum cable length depends on various factors. Further information can be found in the corresponding filter instructions.
- ⁹⁾ Only available as a fluid cooler (water).

3.2.2 Voltage and frequencies for 400V devices

Input voltages and frequencies		
Rated input voltage	U_N / V	400
Rated mains voltage (USA)	U_{N_UL} / V	480
Input voltage range	U_{IN} / V	280...550
Input phases		3
Mains frequency	f_N / Hz	50/60
Mains frequency tolerance	f_N / Hz	± 2

Table 8: Input voltages and frequencies of the 400V devices

DC link voltage		
DC link rated voltage @ $U_N = 400V$	U_{N_dc} / V	565
DC link rated voltage @ $U_{N_UL} = 480V$	$U_{N_UL_dc} / V$	680
DC link voltage working voltage range	U_{IN_dc} / V	390...780

Table 9: DC link voltage for 400V devices

Output voltages and frequencies		
Output voltage at AC supply	¹⁾ U_{out} / V	$0 \dots U_{N_ac}$
Output frequency	²⁾ f_{out} / Hz	$0 \dots 599 (0 \dots 2000)$
Output phase		3

Table 10: Output voltages and frequencies of the 400V devices

- ¹⁾ The voltage to the motor is dependent on the actual input voltage and the control method („3.2.2.1 Example of the calculation of the possible motor voltage:“).
- ²⁾ The output frequency is to be limited in such a way that it does not exceed 1/10 of the switching frequency. Devices with a maximum output frequency higher than 599Hz are restricted for export.

3.2.2.1 Example of the calculation of the possible motor voltage:

The motor voltage for dimensioning of the drive is depending on the used components. The motor voltage reduces according to the following table:

Component	Reduction / %	Example
Mains choke U_k	4	Open-loop drive converter with mains- and motor choke at non-rigid supply system: 400 V mains voltage (100%) - 36 V reduced voltage (11%) = 356 V motor voltage
Drive converter open-loop	4	
Drive converter closed-loop	8	
Motor choke U_k	1	
Non-rigid supply system	2	

Table 11: Example of the calculation of the possible motor voltage:

3.2.3 Input and output currents / overload

3.2.3.1 Input and output currents / overload air cooler

Device size		29	30	31
Rated input current @ $U_N = 400V$	¹⁾ I_{in} / A	485	600	660
Rated input current @ $U_{N_UL} = 480V$	¹⁾ I_{in_UL} / A	414	513	575
Rated input current DC @ $U_N = 565 V$	I_{in_dc} / A	583	723	799
Rated input current DC @ $U_{N_UL} = 680 V$	$I_{in_UL_dc} / A$	507	628	691
Rated output current @ $U_N = 400V$	I_N / A	460	570	630
Rated output current @ $U_{N_UL} = 480V$	I_{N_UL} / A	400	495	545
Rated output overload (60 s)	²⁾ $I_{60s} / \%$	125	115	106
Overload current	²⁾ $I_{OL} / \%$	=> „3.2.3.3 Overload characteristic (OL)“		
Software current limit	^{2) 3)} $I_{lim} / \%$	125	112,5	112,5
Overcurrent	²⁾ $I_{oc} / \%$	150	135	125

Table 12: Input and output currents / overload of the HSD units Air cooler

¹⁾ The values resulting from rated operation with B6 rectifier circuit and mains choke 4% U_k .

²⁾ The values refer in % to the rated output current I_N .

³⁾ Limitation of the current setpoint in closed-loop operation. This setpoint limit is not active in v/f operation.

3.2.3.2 Input and output currents / overload Fluid cooler (water)

Device size		30	31	32	33
Rated input current @ $U_N = 400V$	¹⁾ I_{in} / A	600	660	746	840
Rated input current @ $U_{N_UL} = 480V$	¹⁾ I_{in_UL} / A	513	575	646	726
Rated input current DC @ $U_N = 565 V$	I_{in_dc} / A	723	799	900	1015
Rated input current DC @ $U_{N_UL} = 680 V$	$I_{in_UL_dc} / A$	628	691	780	878
Rated output current @ $U_N = 400V$	I_N / A	570	630	710	800
Rated output current @ $U_{N_UL} = 480V$	I_{N_UL} / A	495	545	615	692
Rated output overload (60 s)	²⁾ $I_{60s} / \%$	125	125	125	125
Overload current	²⁾ $I_{OL} / \%$	=> „3.2.3.3 Overload characteristic (OL)“			
Software current limit	^{2) 3)} $I_{lim} / \%$	125	125	125	125
Overcurrent	²⁾ $I_{oc} / \%$	150	150	150	150

Table 13: Input and output currents / overload of the HSD devices Fluid cooler (water)

¹⁾ The values resulting from rated operation with B6 rectifier circuit and mains choke 4% U_k .

²⁾ The values refer in % to the rated output current I_N .

³⁾ Limitation of the current setpoint in closed-loop operation. This setpoint limit is not active in v/f operation.

3.2.3.3 Overload characteristic (OL)

All drive converters can be operated at a rated switching frequency with a utilisation of 106% or 125% for 60 seconds.

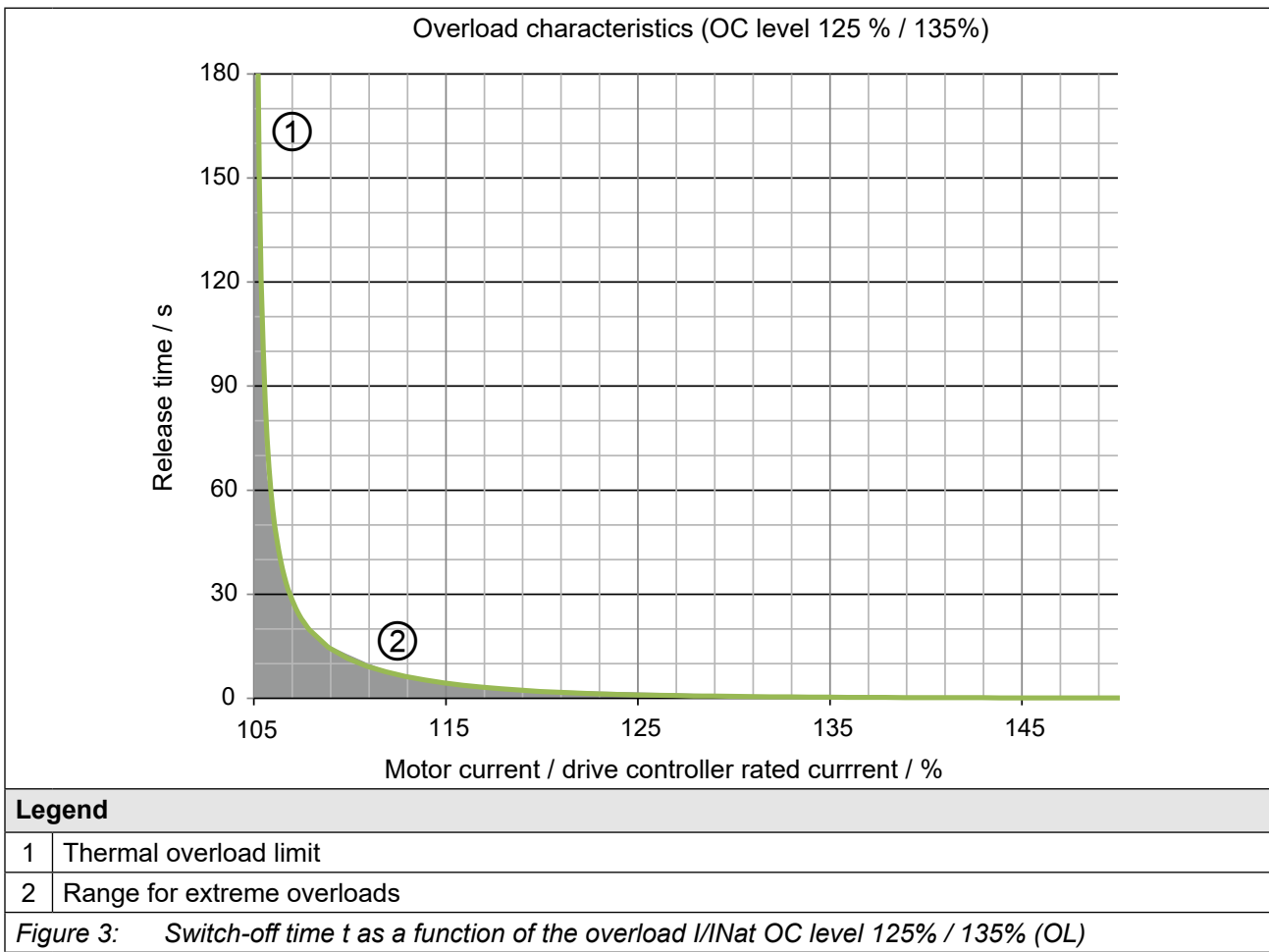
The OL overload function is a root mean square (RMS) function.

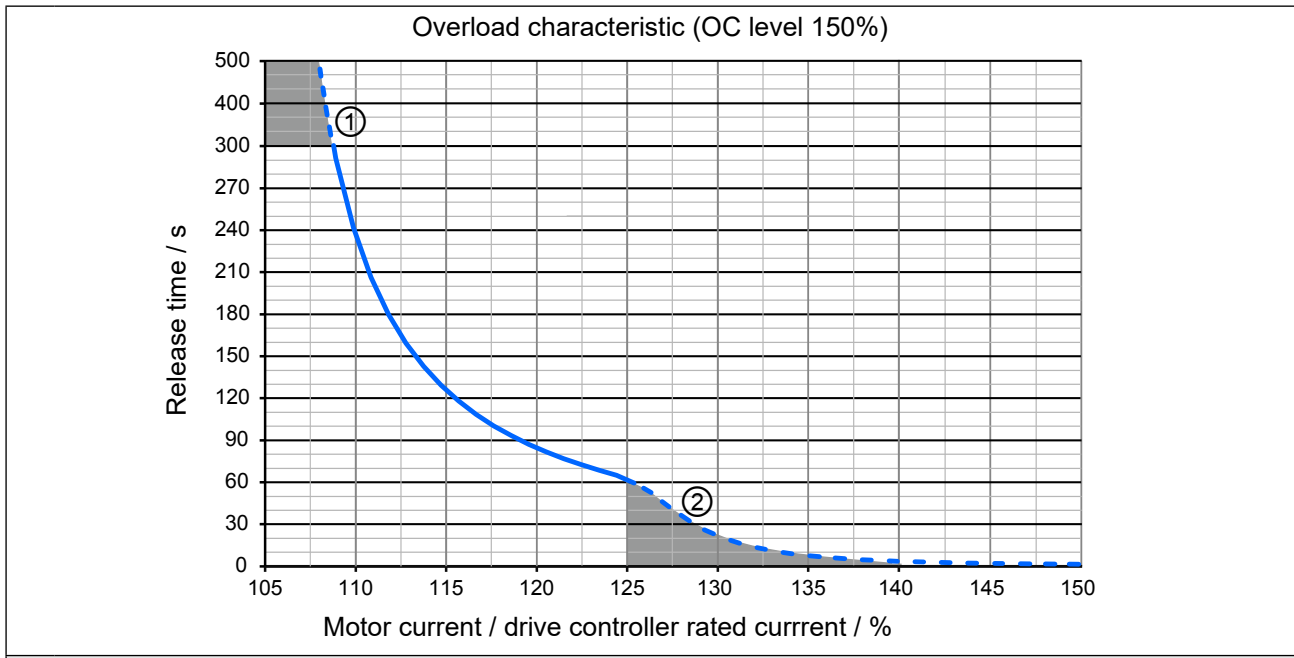
The greater the difference between the overload and underload phases, the greater the deviation of the RMS from the arithmetic mean value.

For extreme overloads (=> „*Figure 3: Switch-off time t as a function of the overload I /INat OC level 125% / 135% (OL)*“ / „*Figure 4: Switch-off time t as a function of the overload I /INOC level 150% (OL)*“), the capacity utilisation is weighted more heavily. This means the load is provided with a factor for the calculation of the RMS value, by way that the overload protection function triggers, even if the RMS value does not reach 100%.

Restrictions:

- The thermal design of the heat sink is based on the rated operation. The following values are taken into account: Rated output current, ambient temperature, rated switching frequency, rated voltage.
- At high ambient temperatures and/or high heat sink temperatures (for example, by preceding utilisation nearby 100%) the drive controller can change to overtemperature error before triggering the protective function OL.
- At low output frequencies or switching frequencies higher than the rated switching frequency, the frequency-dependent maximum current can be exceeded before triggering the overload error OL and error OL2 can be triggered
=> „3.2.3.4 Frequency-dependent maximum current (OL2)“.





Legend

1	Thermal overload limit
2	Range for extreme overloads

Figure 4: Switch-off time t as a function of the overload I/I_{NOC} level 150% (OL)

- On exceeding a load of 105 % the overload integrator starts.
- When falling below the integrator counts backwards.
- If the integrator reaches the overload characteristic "Error! Overload (OL)" is triggered.

After a cooling down period, the integrator can be reset now. The drive controller must remain switched on during the cooling down phase.

Operation in the range of the thermal overload limit

Due to the high steepness of the overload characteristic, the duration of a permissible overload in this range ① cannot be determined exactly. Therefore, the design of the drive controller should be assumed to have a maximum overload time of 300s.

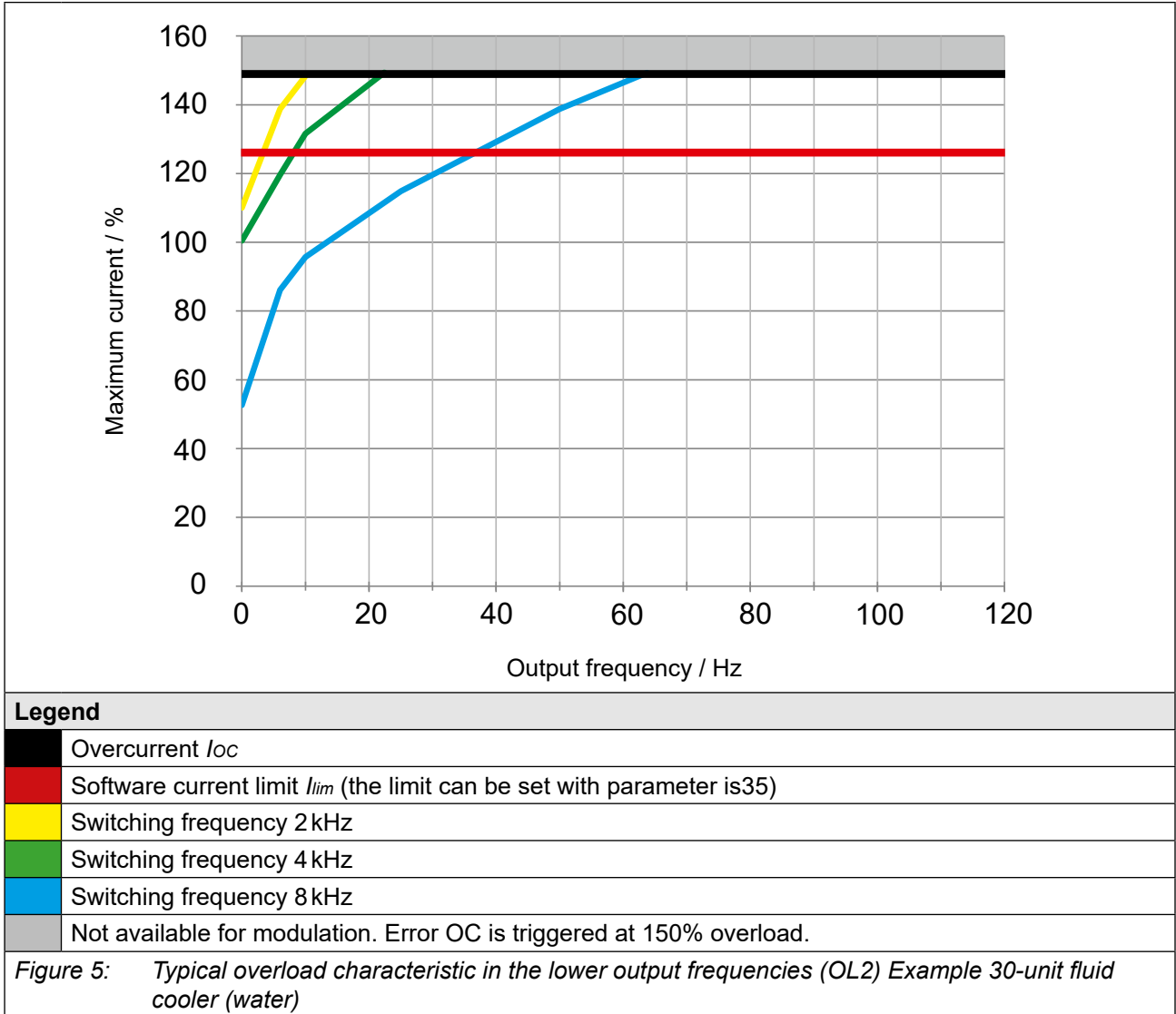
3.2.3.4 Frequency-dependent maximum current (OL2)

The characteristics of the maximum currents for a switching frequency which are depending on the output frequency are different for each drive controller, but in general the following rule applies to housing 9:

- Lower maximum currents apply for switching frequencies > rated switching frequency.

If error (OL2) shall be triggered on exceeding the maximum currents or if the switching frequency is automatically reduced (derating) can be adjusted in the drive controller parameters.

The following characteristic curve indicates the permissible maximum current for the output frequency values 0 Hz, 6 Hz, 10 Hz, 25 Hz, 50 Hz and 100 Hz. Device size 30 HSD (fluid cooler) is represented exemplary.



The frequency-dependent maximum current I_{out_max} refers in % to the rated output current I_N .

The current remains constant from the last specified output frequency value.



The values for the respective device size are listed in the following tables.

Frequency-dependent maximum current (air cooler)

Device size		29					
Rated switching frequency		6 kHz					
Output frequency	f_{out} / Hz	0	1,5	6	10	25	50
Frequency-dependent maximum current @ f_s Basic Time Period = 62.5 μ s (Parameter is22=0)	I_{out_max} / %						
	2 kHz	137	148	150	150	150	150
	4 kHz	88	97	118	130	150	150
Frequency-dependent maximum current @ f_s Basic Time Period = 71.4 μ s (Parameter is22=1)	I_{out_max} / %						
	1.75 kHz	137	148	150	150	150	150
	3.5 kHz	100	110	130	141	150	150
Frequency-dependent maximum current @ f_s Basic Time Period = 83.3 μ s (Parameter is22=2)	I_{out_max} / %						
	7 kHz	66	71	83	90	111	138
	1.5 kHz	137	148	150	150	150	150
Frequency-dependent maximum current @ f_s Basic Time Period = 100 μ s (Parameter is22=3)	I_{out_max} / %						
	3 kHz	112	123	142	150	150	150
	6 kHz	73	80	94	103	130	150
Frequency-dependent maximum current @ f_s Basic Time Period = 100 μ s (Parameter is22=3)	I_{out_max} / %						
	1.25 kHz	137	148	150	150	150	150
	2.5 kHz	125	135	150	150	150	150
	5 kHz	81	88	106	117	149	150

Table 14: Frequency-dependent maximum current for appliance size 29 HSD air cooler

Device size		30					
Rated switching frequency		6 kHz					
Output frequency	f_{out} / Hz	0	1,5	6	10	25	50
Frequency-dependent maximum current @ f_s Basic Time Period = 62.5 μ s (Parameter is22=0)	I_{out_max} / %						
	2 kHz	110	119	134	135	135	135
	4 kHz	71	78	95	105	135	135
Frequency-dependent maximum current @ f_s Basic Time Period = 71.4 μ s (Parameter is22=1)	I_{out_max} / %						
	8 kHz	47	50	57	62	74	83
	1.75 kHz	110	119	134	135	135	135
Frequency-dependent maximum current @ f_s Basic Time Period = 83.3 μ s (Parameter is22=2)	I_{out_max} / %						
	3.5 kHz	81	89	105	114	135	135
	7 kHz	53	57	67	73	89	111
Frequency-dependent maximum current @ f_s Basic Time Period = 100 μ s (Parameter is22=3)	I_{out_max} / %						
	1.5 kHz	110	119	134	135	135	135
	3 kHz	91	99	114	123	135	135
Frequency-dependent maximum current @ f_s Basic Time Period = 100 μ s (Parameter is22=3)	I_{out_max} / %						
	6 kHz	59	64	76	83	105	135
	1.25 kHz	110	119	134	135	135	135
	2.5 kHz	100	109	124	132	135	135
	5 kHz	65	71	86	94	120	135

Table 15: Frequency-dependent maximum current for appliance size 30 HSD air cooler

Device size		31					
Rated switching frequency		6 kHz					
Output frequency	f_{out} / Hz	0	1,5	6	10	25	50
Frequency-dependent maximum current @ f_s <i>Basic Time Period = 62.5 μs (Parameter is22=0)</i>	i_{out_max} / %						
	2 kHz	100	108	121	125	125	125
	4 kHz	64	71	86	95	123	125
	8 kHz	42	45	51	56	67	75
Frequency-dependent maximum current @ f_s <i>Basic Time Period = 71.4 μs (Parameter is22=1)</i>	i_{out_max} / %						
	1.75 kHz	100	108	121	125	125	125
	3.5 kHz	73	80	95	103	125	125
	7 kHz	48	51	60	66	81	101
Frequency-dependent maximum current @ f_s <i>Basic Time Period = 83.3 μs (Parameter is22=2)</i>	i_{out_max} / %						
	1.5 kHz	100	108	121	125	125	125
	3 kHz	82	89	103	111	125	125
	6 kHz	53	58	69	75	95	125
Frequency-dependent maximum current @ f_s <i>Basic Time Period = 100 μs (Parameter is22=3)</i>	i_{out_max} / %						
	1.25 kHz	100	108	121	125	125	125
	2.5 kHz	91	99	112	119	125	125
	5 kHz	59	64	77	85	109	125

Table 16: Frequency-dependent maximum current for appliance size 31 HSD air cooler

Frequency-dependent maximum current (fluid cooler water)

Device size		30					
Rated switching frequency		8 kHz					
Output frequency	f_{out} / Hz	0	6	10	25	50	100
Frequency-dependent maximum current @ f_s <i>Basic Time Period = 62.5 μs (Parameter is22=0)</i>	i_{out_max} / %						
	2 kHz	110	139	148	150	150	150
	4 kHz	101	120	132	150	150	150
	8 kHz	53	86	96	115	139	150
Frequency-dependent maximum current @ f_s <i>Basic Time Period = 71.4 μs (Parameter is22=1)</i>	i_{out_max} / %						
	1.75 kHz	110	139	148	150	150	150
	3.5 kHz	103	124	136	150	150	150
	7 kHz	65	95	105	124	150	150
Frequency-dependent maximum current @ f_s <i>Basic Time Period = 83.3 μs (Parameter is22=2)</i>	i_{out_max} / %						
	1.5 kHz	110	139	148	150	150	150
	3 kHz	105	129	140	150	150	150
	6 kHz	77	103	114	134	150	150
Frequency-dependent maximum current @ f_s <i>Basic Time Period = 100 μs (Parameter is22=3)</i>	i_{out_max} / %						
	1.25 kHz	110	139	148	150	150	150
	2.5 kHz	108	134	144	150	150	150
	5 kHz	89	111	123	144	150	150

Table 17: Frequency-dependent maximum current for device size 30 HSD (fluid cooler water)

Device size		31					
Rated switching frequency		8 kHz					
Output frequency	f_{out} / Hz	0	6	10	25	50	100
Frequency-dependent maximum current @ f_s <i>Basic Time Period = 62.5 μs (Parameter is22=0)</i>	i_{out_max} / %						
	2 kHz	110	130	139	150	150	150
	4 kHz	95	110	120	139	150	150
	8 kHz	48	78	87	104	126	150
Frequency-dependent maximum current @ f_s <i>Basic Time Period = 71.4 μs (Parameter is22=1)</i>	i_{out_max} / %						
	1.75 kHz	110	130	139	150	150	150
	3.5 kHz	99	115	124	144	150	150
	7 kHz	60	86	95	113	135	150
Frequency-dependent maximum current @ f_s <i>Basic Time Period = 83.3 μs (Parameter is22=2)</i>	i_{out_max} / %						
	1.5 kHz	110	130	139	150	150	150
	3 kHz	103	120	129	149	150	150
	6 kHz	71	94	103	121	145	150
Frequency-dependent maximum current @ f_s <i>Basic Time Period = 100 μs (Parameter is22=3)</i>	i_{out_max} / %						
	1.25 kHz	110	130	139	150	150	150
	2.5 kHz	107	125	134	150	150	150
	5 kHz	83	102	111	130	150	150

Table 18: Frequency-dependent maximum current for device size 31 HSD (fluid cooler water)

Device size		32						
Rated switching frequency		8 kHz						
Output frequency	f_{out} / Hz	0	6	10	25	50	100	
Frequency-dependent maximum current @ f_s <i>Basic Time Period = 62.5 μs (Parameter is22=0)</i>	i_{out_max} %							
	2 kHz	105	117	125	142	150	150	
	4 kHz	85	98	106	123	146	150	
Frequency-dependent maximum current @ f_s <i>Basic Time Period = 71.4 μs (Parameter is22=1)</i>	i_{out_max} %							
	1.75 kHz	105	117	125	142	150	150	
	3.5 kHz	90	103	110	128	148	150	
Frequency-dependent maximum current @ f_s <i>Basic Time Period = 83.3 μs (Parameter is22=2)</i>	i_{out_max} %							
	7 kHz	53	76	84	100	120	145	
	1.5 kHz	105	117	125	142	150	150	
Frequency-dependent maximum current @ f_s <i>Basic Time Period = 83.3 μs (Parameter is22=2)</i>	i_{out_max} %							
	3 kHz	95	108	115	133	150	150	
	6 kHz	63	84	91	108	129	148	
Frequency-dependent maximum current @ f_s <i>Basic Time Period = 100 μs (Parameter is22=3)</i>	i_{out_max} %							
	1.25 kHz	105	117	125	142	150	150	
	2.5 kHz	100	112	120	137	150	150	
		5 kHz	74	91	98	115	137	150

Table 19: Frequency-dependent maximum current for device size 32 HSD (fluid cooler water)

Device size		33					
Rated switching frequency		8 kHz					
Output frequency	f_{out} / Hz	0	6	10	25	50	100
Frequency-dependent maximum current @ f_s <i>Basic Time Period = 62.5 μs (Parameter is22=0)</i>	i_{out_max} %						
	2 kHz	100	109	114	130	147	150
	4 kHz	75	87	94	109	130	150
Frequency-dependent maximum current @ f_s <i>Basic Time Period = 71.4 μs (Parameter is22=1)</i>	i_{out_max} %						
	8 kHz	34	61	68	82	99	126
	1.75 kHz	100	109	114	130	147	150
Frequency-dependent maximum current @ f_s <i>Basic Time Period = 71.4 μs (Parameter is22=1)</i>	i_{out_max} %						
	3.5 kHz	81	93	99	114	134	150
	7 kHz	47	68	75	89	107	133
Frequency-dependent maximum current @ f_s <i>Basic Time Period = 83.3 μs (Parameter is22=2)</i>	i_{out_max} %						
	1.5 kHz	100	109	114	130	147	150
	3 kHz	88	98	104	119	138	150
Frequency-dependent maximum current @ f_s <i>Basic Time Period = 83.3 μs (Parameter is22=2)</i>	i_{out_max} %						
	6 kHz	56	74	81	96	114	140
	1.25 kHz	100	109	114	130	147	150
Frequency-dependent maximum current @ f_s <i>Basic Time Period = 100 μs (Parameter is22=3)</i>	i_{out_max} %						
	2.5 kHz	94	104	109	124	142	150
	5 kHz	66	81	87	102	122	147

Table 20: Frequency-dependent maximum current for device size 33 HSD (fluid cooler water)

3.2.4 Overview of rectifier data for HSD devices

Device size		29	30	31	32	33
Rated rectifier power	P_{rect} / kW	271	342	385	434	488
Continuous rectifier power	¹⁾ $P_{rect_cont} / \text{kW}$	488	488	488	488	488
Continuous input current @ $U_N = 400 \text{ V}$	¹⁾ I_{in_cont} / A	840	840	840	840	840
Continuous input current @ $U_{N_UL} = 480 \text{ V}$	¹⁾ $I_{in_UL_cont} / \text{A}$	726	726	726	726	726
Rated output current DC @ $U_{N_dc} = 565 \text{ V}$	I_{out_dc} / A	583	723	799	900	1015
Continuous output current DC @ $U_{N_dc} = 565 \text{ V}$	¹⁾ $I_{out_dc_cont} / \text{A}$	1015	1015	1015	1015	1015
Rated output current DC @ $U_{N_UL_dc} = 680 \text{ V}$	$I_{out_UL_dc} / \text{A}$	507	628	691	780	878
Continuous output current DC @ $U_{N_UL_dc} = 680 \text{ V}$	¹⁾ $I_{out_UL_dc_cont} / \text{A}$	878	878	878	878	878

Table 21: Overview of rectifier data for 400 V devices

¹⁾ Continuous operation is a load that exceeds the rated operation. Continuous operation only occurs if the internal rectifier is used to supply additional drive controllers via the DC terminals => „5.3.6 DC-bus connection“. In continuous operation, the OH error can be triggered depending on the operating conditions of the internal inverter.

3.2.5 Power dissipation at rated operation

3.2.5.1 Power loss in rated operation Air cooler

Device size		29	30	31
Rated switching frequency	f_{SN} / kHz	6	6	6
Power dissipation at rated operation	¹⁾ P_D / kW	5,9	7,4	8,2
Power dissipation at rated operation DC	²⁾ P_{D_dc} / kW	5,2	6,55	7,2

Table 22: Power loss of the HSD units Air cooler

¹⁾ Rated operation corresponds to $U_N = 400$ V; f_{SN} ; I_N ; $f_N = 50$ Hz (typically value)

²⁾ Rated operation corresponds to $U_{N_dc} = 565$ V; I_N

3.2.5.2 Power loss in rated operation Fluid cooler (water)

Device size		30	31	32	33
Rated switching frequency	f_{SN} / kHz	8	8	8	8
Power dissipation at rated operation	¹⁾ P_D / kW	8,05	9	10,5	12
Power dissipation at rated operation DC	²⁾ P_{D_dc} / kW	7	7,9	9,2	10,5

Table 23: Power loss of the HSD units Fluid cooler (water)

¹⁾ Rated operation corresponds to $U_N = 400$ V; f_{SN} ; I_N ; $f_N = 50$ Hz (typically value)

²⁾ Rated operation corresponds to $U_{N_dc} = 565$ V; I_N

3.2.6 Fusing of the HSD devices

3.2.6.1 Fuse protection for AC supply

Device size	Max. size of the fuse / A					
	$U_N = 400V$ gG (IEC)	$U_N = 480V$ class "L"			$U_N = 480V$	
	SCCR 100 kA	SCCR 18 kA	SCCR 30 kA	SCCR 42 kA	SCCR 100 kA	Type ¹⁾
29	630	600	---	---	550	COOPER BUSSMANN 170M3022
						COOPER BUSSMANN 170M3122
						COOPER BUSSMANN 170M3172
						COOPER BUSSMANN 170M3272
					SIBA 206xy32.550	
					600	LITTELFUSE L70QS600.X
30	630	---	601	---	630	SIBA GMBH 206xy32.630
						COOPER BUSSMANN 170M5xy2
						LITTELFUSE PSR032xy0630
31	700 (2x350)	---	700	---	700	SIBA GMBH 206xy32.700
						COOPER BUSSMANN 170M5xy3
						LITTELFUSE PSR032xy0700
32	800 (2x400)	---	800	---	800	SIBA GMBH 206xy32.800
						COOPER BUSSMANN 170M5xy4
						LITTELFUSE PSR032xy0800
33	900 (2x450)	---	---	900	900	SIBA GMBH 206xy32.900
						COOPER BUSSMANN 170M5xy5
						LITTELFUSE PSR032xy0900

Table 24: Fusing of the HSD devices

¹⁾ "x" stands for various indicators. "y" stands for different connection variants.



Short-circuit capacity

After requests from *EN 60439-1* and *EN 61800-5-1* the following is valid for the connection to a network: The devices are suitable for use in a circuit capable of delivering not more than 100 kA eff. unaffected symmetrical short-circuit current.

3.2.6.2 Fuse protection for DC supply

Device size	Recommended size of the fuse / A		Permissible fuses ^{1) 2)}
	$U_{N_dc} = 565V$	$U_{N_UL_dc} = 680V$	
	SCCR 85 kA	SCCR 85 kA	
29	700	630	Bussmann 170M61x# (max. 1250A) Littelfuse PSR073yy# (max. 700A) Littelfuse PSX3XLyy# (max.1400A)
30	900	800	
31	1000	900	
32	1100	1000	
33	1250	1100	

Table 25: DC Fusing of the 400 V / 480 V devices

- ¹⁾ Fuses of the same type with lower rated currents can be used if they are suitable for the application.
- ²⁾ "x" stands for various indicators. "y" stands for different connection variants. "#" stands for amperage or the identification number

NOTICE

Observe the rated voltage of the fuse!

- ▶ The rated voltage of the fuse must be at least equal to the maximum DC supply voltage of the drive controller.

3.3 General electrical data

3.3.1 Switching frequency and temperature

The drive controller cooling is designed by way that the heat sink overtemperature threshold is not exceeded at rated conditions. A switching frequency higher than the rated switching frequency also produces higher losses and thus a higher heat sink heating. If the heat sink temperature reaches a critical threshold (T_{DR}), the switching frequency can be reduced automatically step by step. This prevents that the drive controller switches off due to overheating of the heat sink. If the heat sink temperature falls below the threshold T_{UR} , the switching frequency is increased back to the setpoint. At temperature T_{EM} the switching frequency is immediately reduced to rated switching frequency. „Derating“ must be activated, for this function to work.

3.3.1.1 Switching frequencies and temperatures for air coolers

Device size		29	30	31
Rated switching frequency	¹⁾ f_{SN} / kHz	6	6	6
Max. switching frequency	¹⁾ f_{S_max} / kHz	8	8	8
Min. switching frequency	¹⁾ f_{S_min} / kHz	2	2	2
Max. heat sink temperature 1	T_{HS1} / °C	90	95	100
Max. heat sink temperature 2	T_{HS2} / °C	75	75	75
Max. heat sink temperature 3	T_{HS3} / °C	85	93	97
Max. interior temperature power unit 1	T_{ID_PU1} / °C	65	65	65
Max. interior temperature power unit 2	T_{ID_PU2} / °C	75	75	75
Max. interior temperature power unit 3	T_{ID_PU3} / °C	90	90	90
Temperature for derating the switching frequency	²⁾ T_{DR} / °C	80	85	90
Temperature for uprating the switching frequency	²⁾ T_{UR} / °C	75	80	85
Temperature for switching to rated switching frequency	²⁾ T_{EM} / °C	85	90	95

Table 26: Switching frequencies and temperatures for air coolers

¹⁾ The output frequency is to be limited in such a way that it does not exceed 1/10 of the switching frequency.

²⁾ The switching point refers to the temperature of T_{HS1} .

3.3.1.2 Switching frequencies and temperatures for fluid coolers (water)

Device size		30	31	32	33
Rated switching frequency	¹⁾ f_{SN} / kHz	8	8	8	8
Max. switching frequency	¹⁾ f_{S_max} / kHz	8	8	8	8
Min. switching frequency	¹⁾ f_{S_min} / kHz	2	2	2	2
Max. heat sink temperature 1	T_{HS1} / °C	85	85	85	85
Max. heat sink temperature 2	T_{HS2} / °C	65	65	65	65
Max. heat sink temperature 3	T_{HS3} / °C	75	75	75	75
Max. interior temperature power unit 1	T_{ID_PU1} / °C	65	65	65	65
Max. interior temperature power unit 2	T_{ID_PU2} / °C	75	75	75	75
Max. interior temperature power unit 3	T_{ID_PU3} / °C	90	90	90	90
Temperature for derating the switching frequency	²⁾ T_{DR} / °C	75	75	75	75
Temperature for uprating the switching frequency	²⁾ T_{UR} / °C	70	70	70	70
Temperature for switching to rated switching frequency	²⁾ T_{EM} / °C	80	80	80	80

Table 27: Switching frequencies and temperatures for fluid coolers (water)

¹⁾ The output frequency is to be limited in such a way that it does not exceed 1/10 of the switching frequency.

²⁾ The switching point refers to the temperature of T_{HS1} .

3.3.2 DC link / braking transistor function



Activation of the braking transistor function

To be able to use the braking transistor, the function must be activated with parameter "is30 braking transistor function".

For more information => [F6 Programming manual](#).

NOTICE

Falling below the minimum braking resistor value!

Destruction of the drive controller

- ▶ The minimum brake resistance value must not fall below!

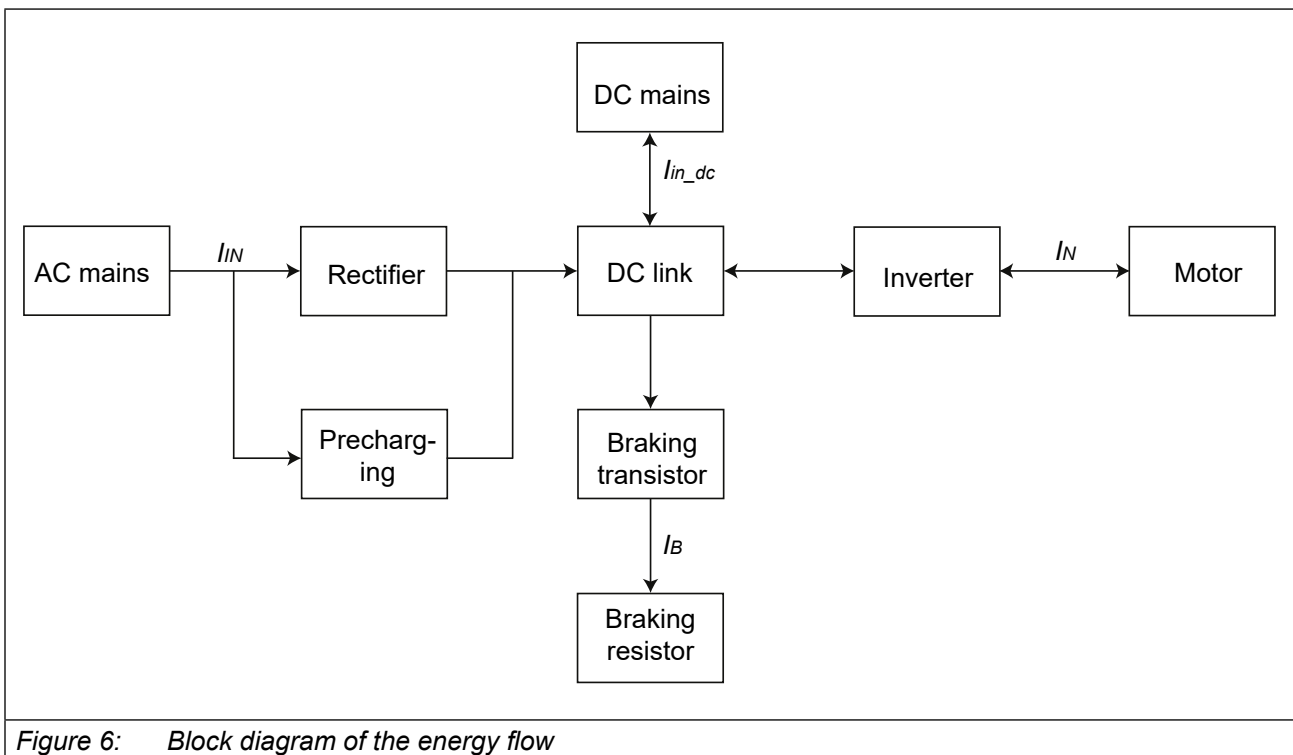


Figure 6: Block diagram of the energy flow

NOTICE

Destruction of the drive controller!

If the error "ERROR GTR7 always ON" occurs, the current consumption is switched off internally via the mains input bridge of the AC supply.

- ▶ If the error "ERROR GTR7 always ON" occurs, the drive controller is defective and must be disconnected from the power supply no later than 16 hours!
- ▶ With DC mains connection and the use of non-intrinsically safe braking resistors or sub-mounted braking resistors, the drive converter must be de-energised after 1 second at the latest.

3.3.2.1 DC link / braking transistor function

Device size		29	30	31	32	33
DC link rated voltage @ $U_N = 400V$	U_{N_dc} / V	565				
DC link rated voltage @ $U_{N_UL} = 480V$	$U_{N_dc_UL} / V$	680				
DC link voltage working voltage range	U_{in_dc} / V	390...780				
DC switch-off level "ERROR Under-potential"	U_{UP} / V	240				
DC switch-off level "ERROR Over-potential"	U_{OP} / V	840				
DC switch-off level braking resistor ¹⁾	U_B / V	780				
Max. braking current	I_{B_max} / A	600				
Min. braking resistor value	R_{B_min} / Ω	1,3				
Braking transistor ²⁾		Max. cycle time: 120s; Max c.d.f.: 25%				
Protective function for braking transistor		Short-circuit monitoring				
Protective function braking resistor (Error GTR7 always on) ³⁾		Feedback signal evaluation and current switch-off (only for AC connection)				
DC link capacity	$C_{int} / \mu F$	23400	23400	23400	27900	27900
Max. prechargeable total capacity @ $U_N = 400V$	$C_{pc_max} / \mu F$	68400	68400	68400	68400	68400
Max. prechargeable total capacity @ $U_{N_UL} = 480V$	$C_{pc_max_UL} / \mu F$	47500	47500	47500	47500	47500

Table 28: DC link / braking transistor function of the HSD devices

- ¹⁾ The DC switching level for the braking transistor is adjustable. The default value is the value specified in the table.
- ²⁾ The cyclic duration factor is additionally limited by the used braking resistor.
- ³⁾ The feedback signal evaluation monitors the functionality of the braking transistor. The current is switched off via the internal mains input bridge of the AC supply. There is no current switch-off with DC voltage supply.

3.3.3 Continuous thermal current

Device size		29			
Rated switching frequency	f_{SN} / kHz	6			
Switching frequency	f_s / kHz	2	4	6	8
Continuous thermal current @ $U_N = 400V$	I_{Tout_max} / A	460	460	460	460
Continuous thermal current @ $U_N = 480V$	I_{Tout_max} / A	400	400	400	400

Table 29: Continuous thermal current for appliance size 29 Air cooler

Device size		30			
Rated switching frequency	f_{SN} / kHz	6			
Switching frequency	f_s / kHz	2	4	6	8
Continuous thermal current @ $U_N = 400V$	I_{Tout_max} / A	570	570	570	460
Continuous thermal current @ $U_N = 480V$	I_{Tout_max} / A	495	495	495	400

Table 30: Continuous thermal current for appliance size 30 Air cooler

Device size		31			
Rated switching frequency	f_{SN} / kHz	6			
Switching frequency	f_s / kHz	2	4	6	8
Continuous thermal current @ $U_N = 400V$	I_{Tout_max} / A	630	630	630	460
Continuous thermal current @ $U_N = 480V$	I_{Tout_max} / A	545	545	545	400

Table 31: Continuous thermal current for appliance size 31 Air cooler

Device size		30			
Rated switching frequency	f_{SN} / kHz	8			
Switching frequency	f_s / kHz	2	4	6	8
Continuous thermal current @ $U_N = 400V$	I_{Tout_max} / A	570	570	570	570
Continuous thermal current @ $U_N = 480V$	I_{Tout_max} / A	495	495	495	495

Table 32: Continuous thermal current for appliance size 30 Fluid cooler (water)

Device size		31			
Rated switching frequency	f_{SN} / kHz	8			
Switching frequency	f_s / kHz	2	4	6	8
Continuous thermal current @ $U_N = 400V$	I_{Tout_max} / A	630	630	630	630
Continuous thermal current @ $U_N = 480V$	I_{Tout_max} / A	545	545	545	545

Table 33: Continuous thermal current for appliance size 31 Fluid cooler (water)

Device size		32			
Rated switching frequency	f_{SN} / kHz	8			
Switching frequency	f_s / kHz	2	4	6	8
Continuous thermal current @ $U_N = 400V$	I_{Tout_max} / A	710	710	710	710
Continuous thermal current @ $U_N = 480V$	I_{Tout_max} / A	615	615	615	615

Table 34: Continuous thermal current for appliance size 32 Fluid cooler (water)

Device size		33			
Rated switching frequency	f_{SN} / kHz	8			
Switching frequency	f_s / kHz	2	4	6	8
Continuous thermal current @ $U_N = 400V$	I_{Tout_max} / A	800	800	800	800
Continuous thermal current @ $U_N = 480V$	I_{Tout_max} / A	692	692	692	692

Table 35: Continuous thermal current for appliance size 33 Fluid cooler (water)

3.3.4 Sub-mounted braking resistors

Technical data of the sub-mounted braking resistors		
Braking resistor value	R / Ω	1,5
Rated power	P_D / W	2200
Duty cycle referring to 120s @ $U_{N_dc} = 780V$	$duty$ / cycle / s	0,6

Table 36: Sub-mounted braking resistors

NOTICE

Observe the power dissipation of the sub-mounted braking resistors!

In braking mode (with sub-mounted braking resistors), the power to be dissipated by the heat sink increases.

- Observe the power dissipation of the braking resistors when designing the cooling system.

3.3.5 Fan

Device size		29	30	31	32 ²⁾	33 ²⁾
Interior fan	Number	3	3	3	3	3
	Speed-variable	yes	yes	yes	yes	yes
Heat sink fan ¹⁾	Number	3	3	3	–	–
	Speed-variable	yes	yes	yes	–	–

Table 37: Fan

¹⁾ Observe external heat sink fan supply => „5.3.7 External heat sink fan supply (FAN)“.

²⁾ Only available as water-cooled device.



The fans are speed-variable. They are automatically controlled to high or low speed depending on the setting of the temperature limits in the software.

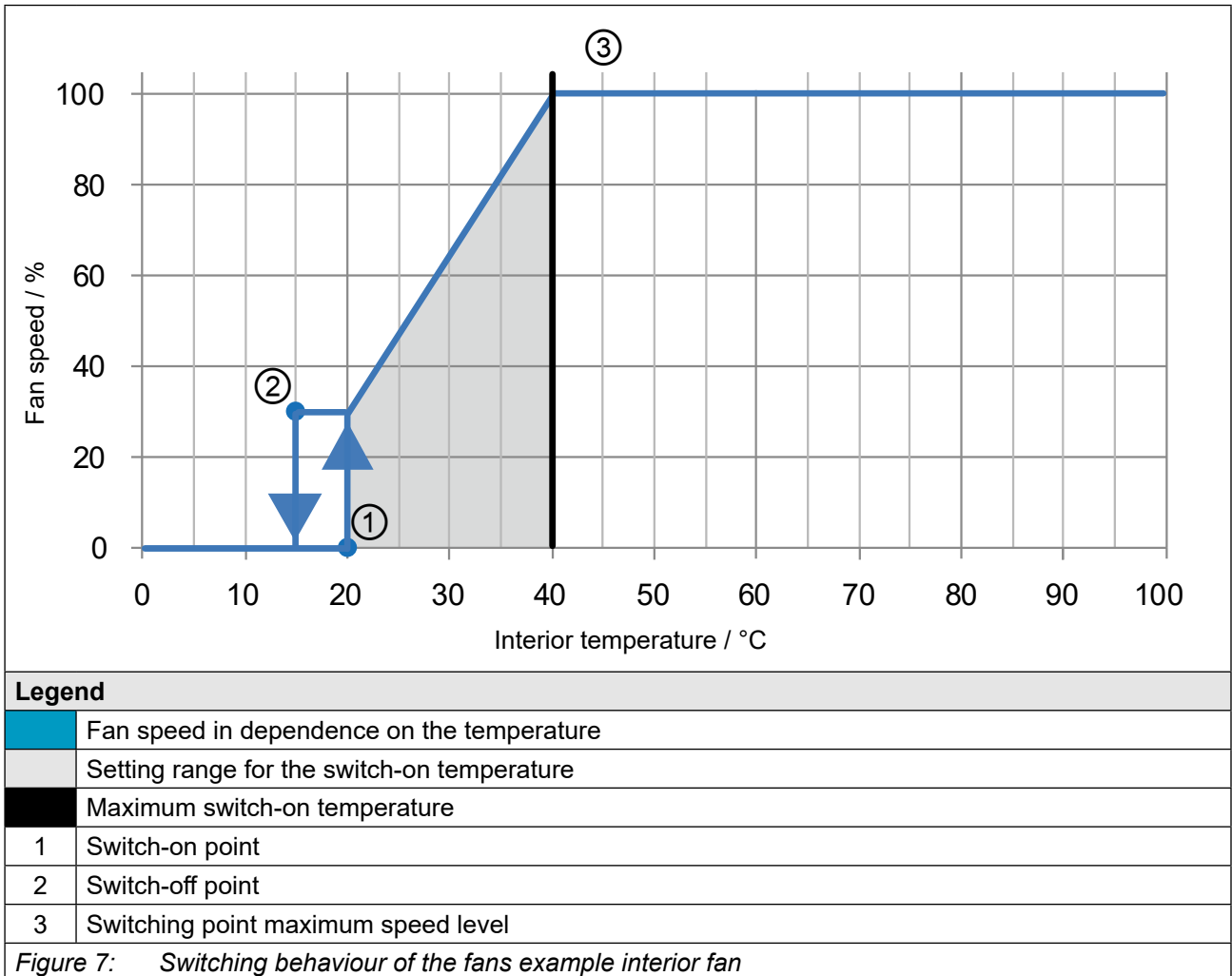
NOTICE

Destruction of the fan!

- ▶ Take care that no foreign substances drop into the fan!

3.3.5.1 Switching behaviour of the fans

The temperature monitoring controls the fans with different switch-on and switch-off points.



3.3.5.2 Switching points of the fans

The switching point for the switch-on temperature and the maximum speed level of the fans are adjustable. The following table shows the default values.

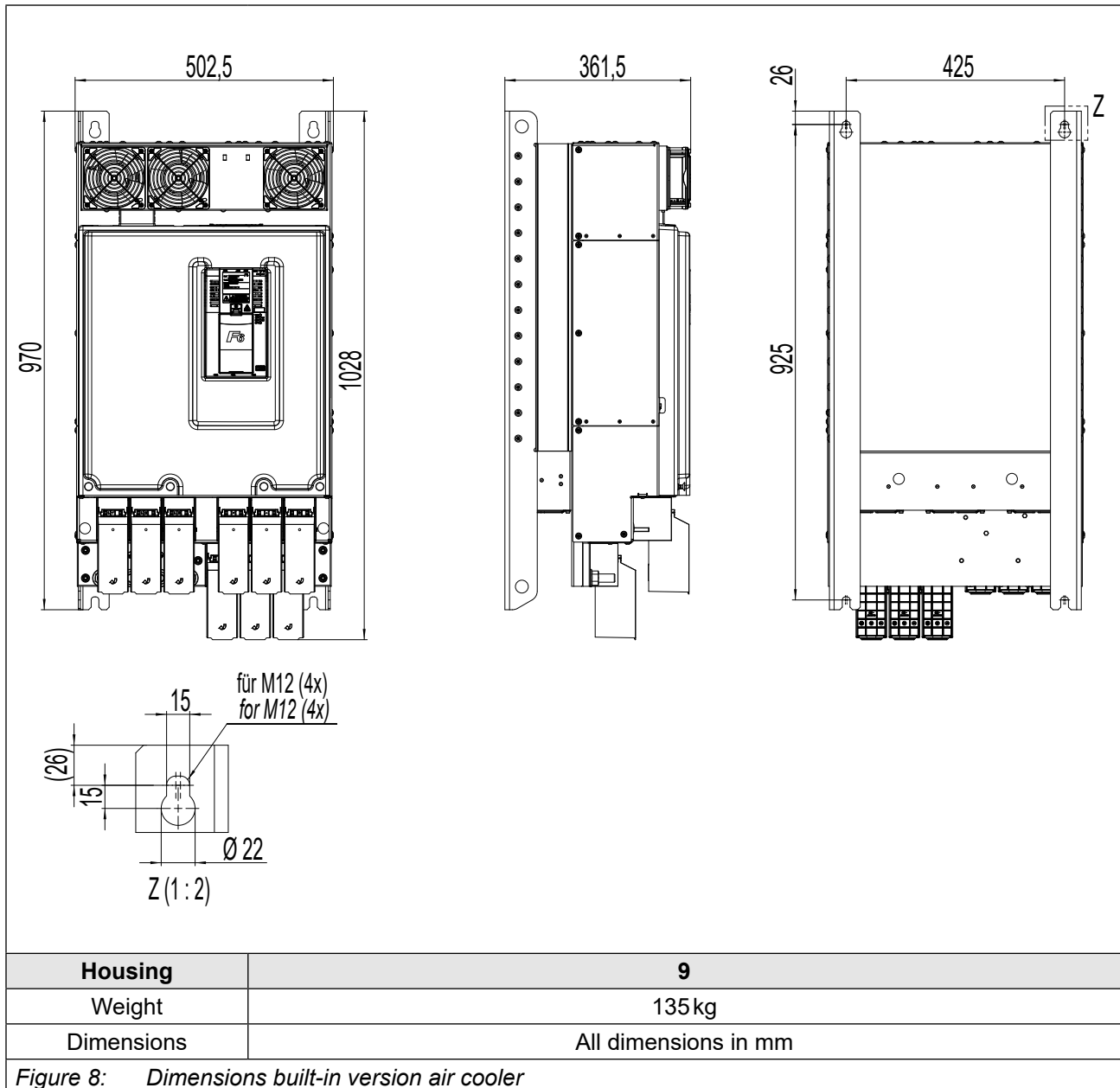
Fan		Heat sink	Interior
Switch-on temperature	$T / ^\circ\text{C}$	35	20
Maximum speed level	$T / ^\circ\text{C}$	65	45

Table 38: Switching points of the fans

4 Installation

4.1 Dimensions and weights

4.1.1 Built-in version air cooler



4.1.2 Push-through version air cooler IP20, IP54-ready

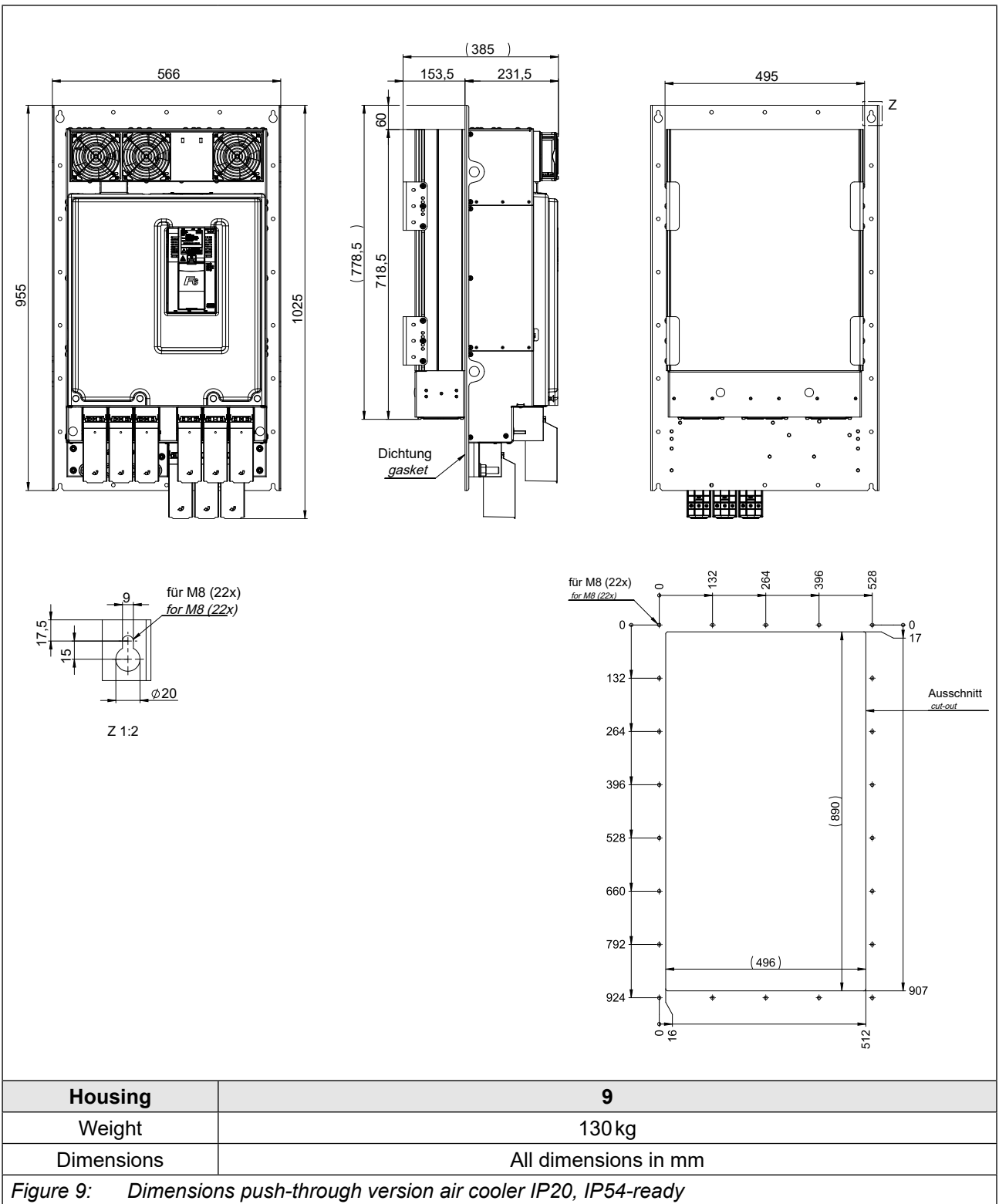
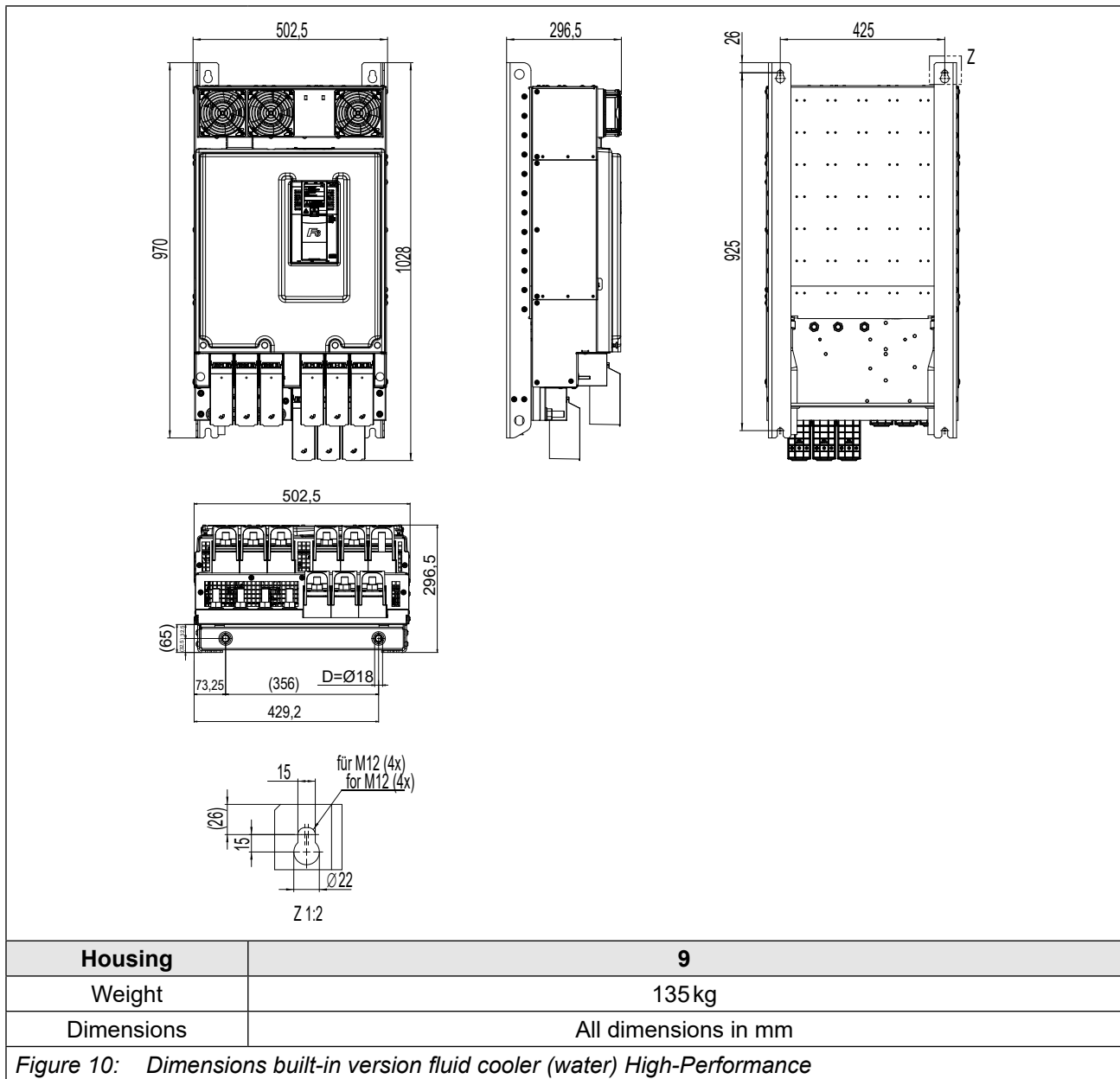
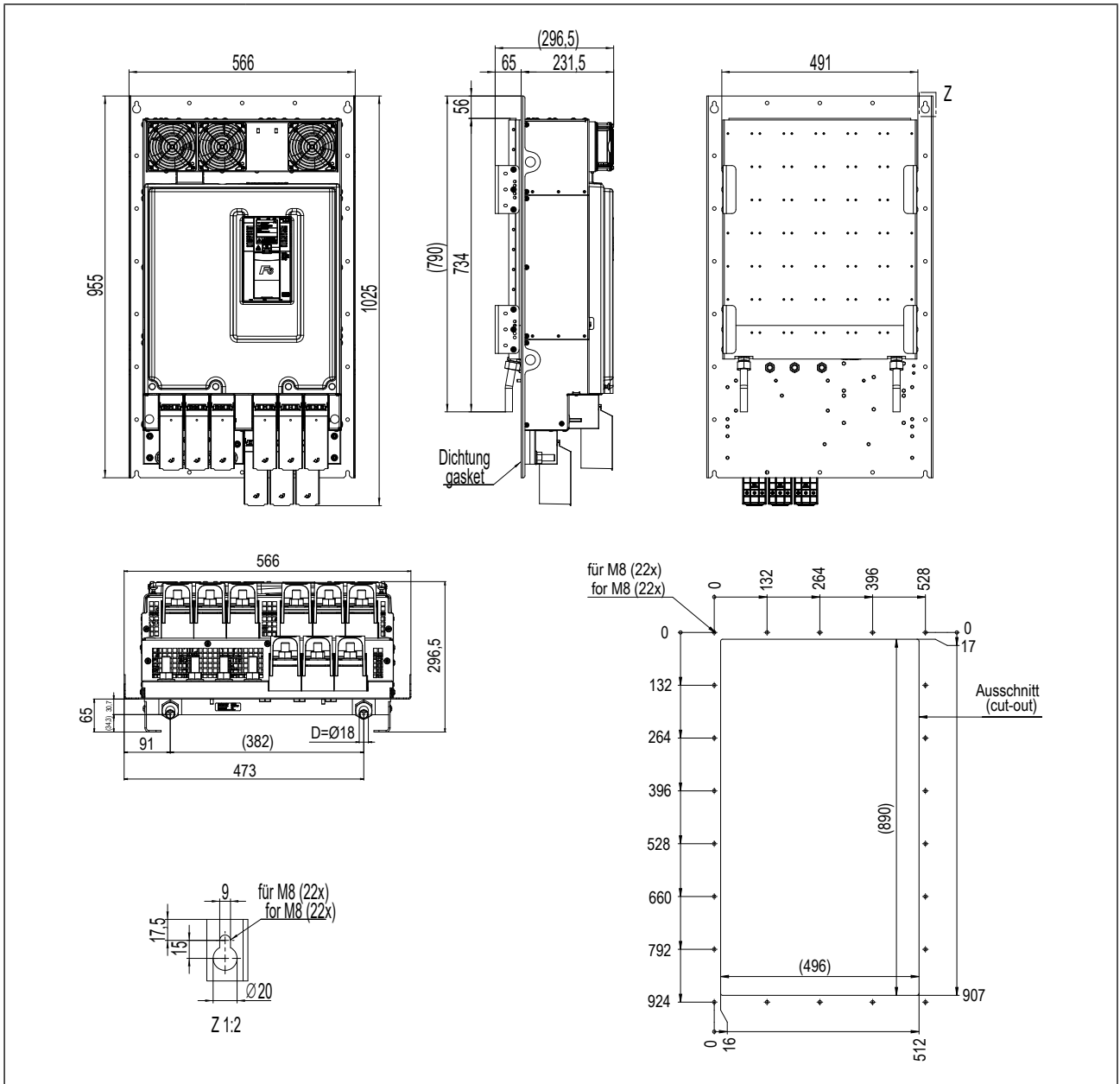


Figure 9: Dimensions push-through version air cooler IP20, IP54-ready

4.1.3 Built-in version fluid cooler (water) High-Performance with aluminium heat sink



4.1.4 Push-through version fluid cooler (water) High-Performance with aluminium heat sink IP20, IP54-ready



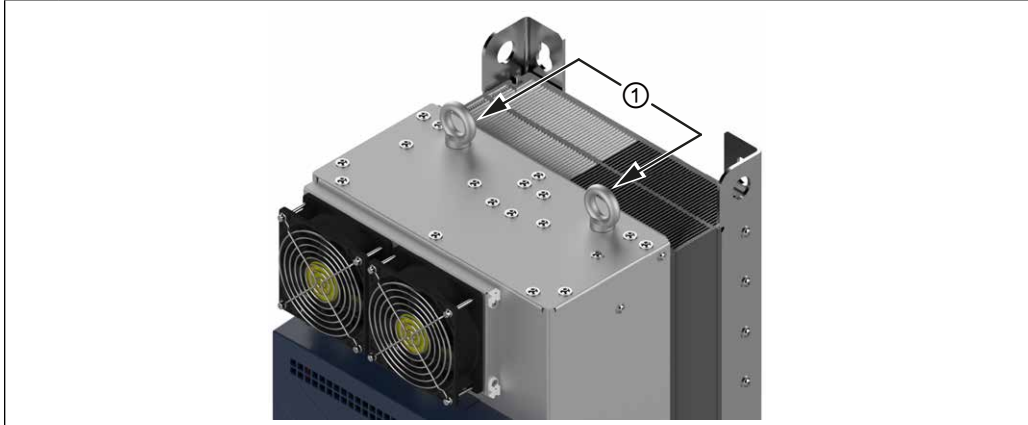
Housing	9
Weight	135 kg
Dimensions	All dimensions in mm

Figure 11: Dimensions push-through version fluid cooler (water) High-Performance IP20, IP54-ready

4.2 Control cabinet installation

4.2.1 Control cabinet installation

Drive controllers in housings 7, 8 and 9 have 2 threaded bushes for M10 ring bolts according to *DIN 580* on the top. These are used to accommodate appropriate lifting devices for transport.



Legend

1 | M10 ring bolts

Figure 12: Example of an F6 in housing 8 with M10 ring bolts

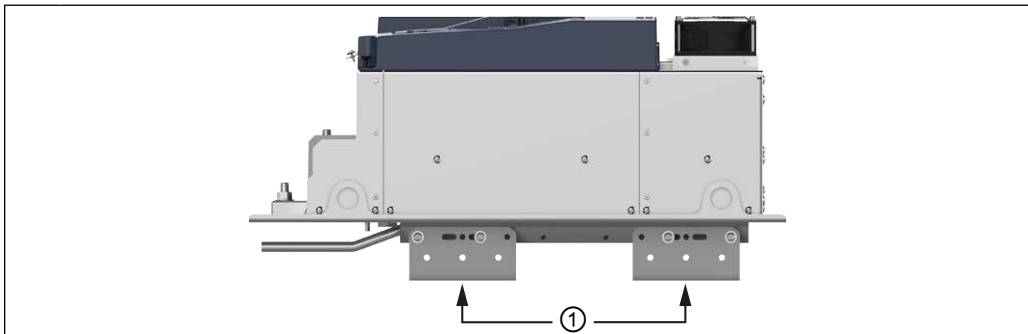
4.2.2 Devices with transport bracket

The transport bracket can be removed after mounting the drive converter. The transport brackets must be stored to make the drive converter transportable again in case of service.

NOTICE

Damage caused by improper mounting

- ▶ The transport brackets must not be used to fasten the drive converter!



Legend

1 | Transport bracket

Figure 13: Example of an F6 housing 7 with transport brackets

NOTICE

Damage to the water connections

Bending of the tubes!

- ▶ Never set the device down or transport it without the transport brackets!

4.2.3 Mounting instructions

For the mounting of the drive controllers the following mounting materials with the appropriate quality were tested by KEB.

Required material	Tightening torque
Hexagon-head screw ISO 4017 - M12 - 8.8	80 Nm 705 lb inch
Flat washer ISO 7090 - 12 - 200 HV	–
<i>Table 39: Mounting instructions for built-in version</i>	

Required material	Tightening torque
Hexagon-head screw ISO 4017 - M8 - 8.8	25 Nm 220 lb inch
Flat washer ISO 7090 - 8 - 200 HV	–
<i>Table 40: Mounting instructions for push-through version</i>	

NOTICE

Use of other mounting material

- ▶ The alternatively selected fixing material must meet the above material characteristics (quality) and tightening torques!

The use of other fixing materials is beyond the control of KEB and is therefore the sole responsibility of the customer.

4.2.4 Mounting distances

Power dissipation for the control cabinet dimension => „3.2.5 Power dissipation at rated operation“. A lower value can be used here depending on the operating mode/load.



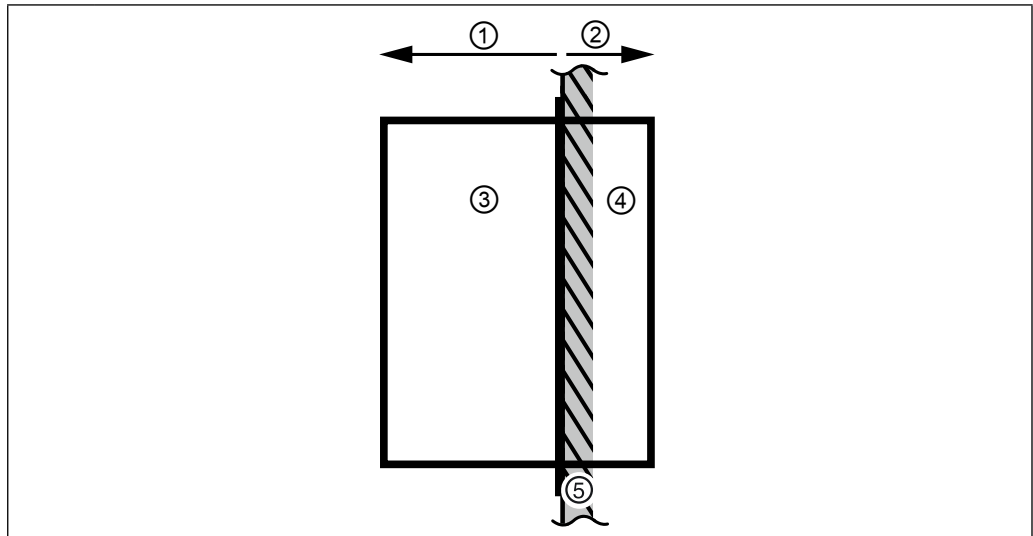
Mounting of the drive controller

For reliable operation, the drive controller must be mounted without any distance on a smooth, closed, metallicly bright mounting plate.

Mounting distances	Dimension	Distance in mm	Distance in inch
	A	150	6
	B	100	4
	C	30	1,2
	D	0	0
	E	0	0
	F ¹⁾	50	2
	¹⁾ Distance to preceding elements in the control cabinet door.		

Figure 14: Mounting distances

4.2.5 Installation of IP54-ready devices



Legend	
1	IP20 zone inside the housing
2	IP54 zone outside the housing
3	Drive controller (power unit and control unit)
4	Drive controller (heat sink)
5	Housing (e.g. Control cabinet wall)

Figure 15: Installation of IP54-ready devices



IP54 zone: Heat sink outside the housing

The protection class IP54 can only be achieved when the device is properly installed.

For proper installation, a suitable IP54 seal (=> „5.4.2 Seal for IP54-ready devices“) must be installed between heat sink and housing (e.g. control cabinet wall).

The tightness must be checked after the installation. If properly installed, the separation to the housing corresponds to degree of protection IP54.

In the case of fan-cooled units, the fans must be protected from negative environmental influences.

These include combustible, oily or dangerous fumes or gases, corrosive chemicals, coarse foreign bodies and excessive dust. This applies especially to the access of the heatsink from the top (air outlet).Icing is inadmissible.

UL: Device heat sink is classified as NEMA type 1

IP20 zone: Device inside the housing

This part is intended for the installation in a suitable housing for the required degree of protection (e.g. control cabinet).

The power connections are excluded => „3.1.1 Climatic environmental conditions“.

NOTICE

Defect due to continuous splash water !

- ▶ Never expose the device to continuous splashing water (e.g. direct exposure to rain)!

4.2.6 Control cabinet ventilation

If construction-conditioned the control cabinet cannot be without indoor ventilation, appropriate filters must avoid suction of foreign objects.

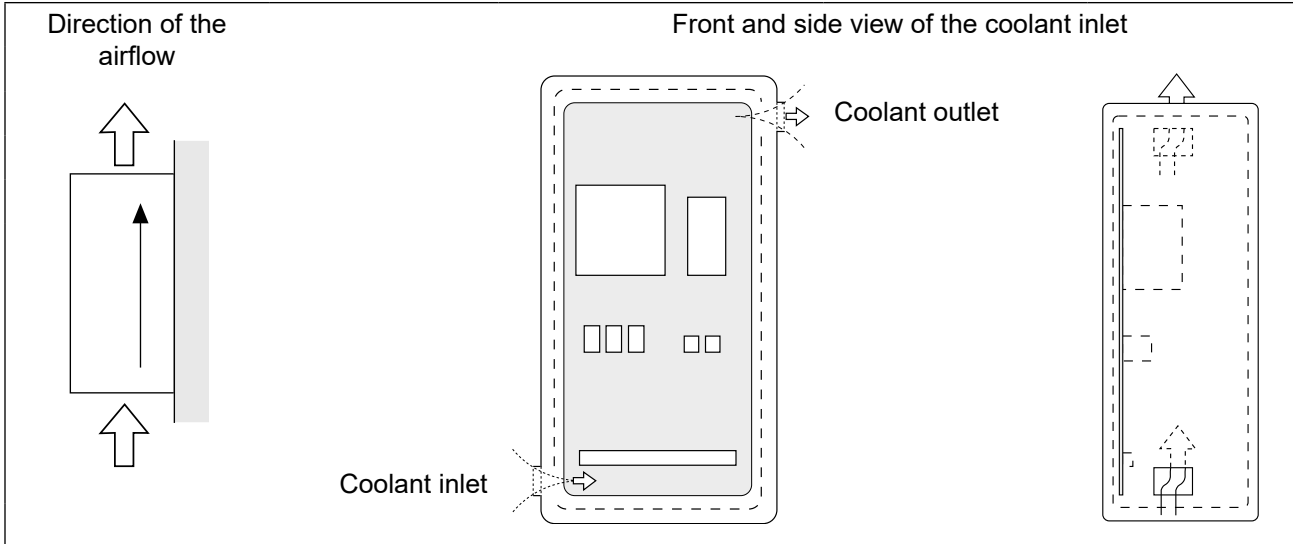
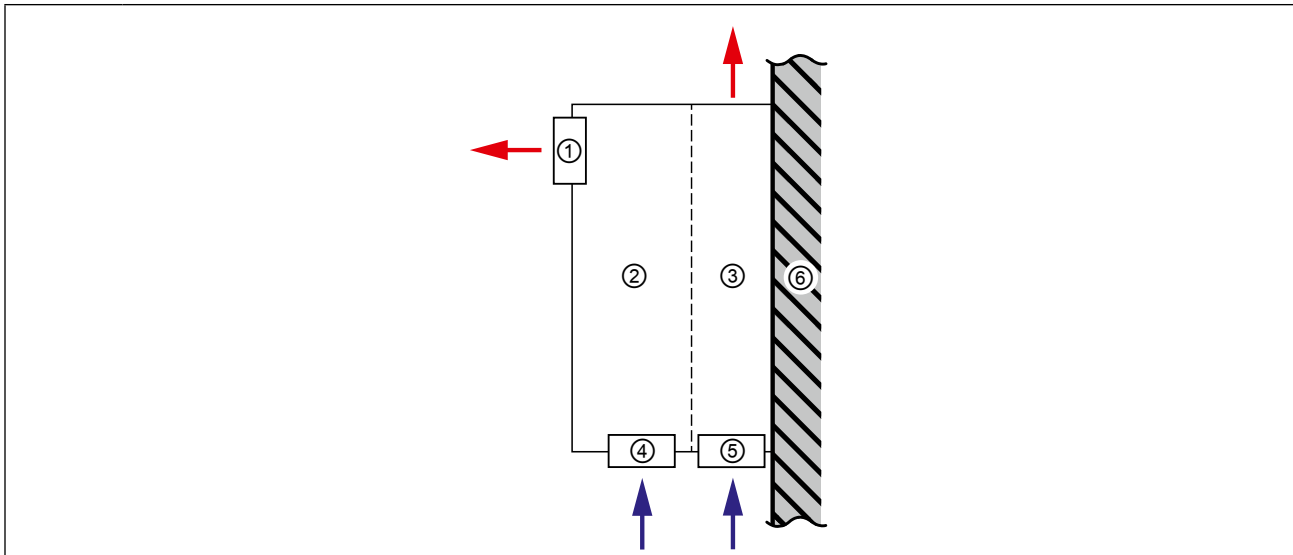


Figure 16: Control cabinet ventilation

4.2.7 Airflow of the drive converter



Legend	
	Airflow direction
1	Interior fan (from housing 4)
2	Drive converter (power unnit and control)
3	Drive converter (heat sink)
4	Interior fan for (housing 2 and 3)
5	Heatsink fan
6	Housing (e.g. Control cabinet rear)

Figure 17: Airflow of the drive converter

5 Installation and connection

5.1 Overview of the COMBIVERT F6

Housing 9		No.	Name	Description
	1	---	Interior fan	
	2 / 6	---	Shield clamps for shielded control cables	
	3	FAN	External heat sink fan supply ¹⁾	
	4	---	Nameplate	
	5	---	LEDs (see manual for control section chapter => "Overview") <ul style="list-style-type: none"> • For control board COMPACT: FS without function. • For control card APPLICATION and PRO: Status indication of the safety module 	
	7	X1A	Power circuit terminals for: <ul style="list-style-type: none"> • Mains input • Braking resistor • DC voltage interface • Motor connection 	
	8	PE	Protective earth; at connection to protective earth each terminal may be assigned only once	

Figure 18: F6 housing 9 top view

¹⁾ Observe external heat sink fan supply => „5.3.7 External heat sink fan supply (FAN)“

Housing 9		No.	Name	Description	
		1	---	Interior fan	
		7	X1A	Power circuit terminals for: <ul style="list-style-type: none"> • Mains input • Braking resistor • DC voltage interface • Motor connection 	
		8	PE	Protective earth; at connection to protective earth each terminal may be assigned only once	
		9	X1C	Terminal for: <ul style="list-style-type: none"> • Motor temperature monitoring • Brake control 	
		10	X3A	Encoder interface channel A	
		11	X3B	Encoder interface channel B	
		12	---	Heat sink fan	

Figure 19: F6 housing 9 front view

Housing 9		No.	Name	Description
	1	---	Interior fan	
	2 / 6	---	Shield clamps for shielded control cables	
	3	FAN	External heat sink fan supply	
	13	S1	Rotary coding switch A	
	14	S2	Rotary coding switch B	
	15	X4C	Fieldbus interface (out)	
	16	X4B	Fieldbus interface (in)	
	17	X2B	Safety module	
	18	X2A	Control terminal block for <ul style="list-style-type: none"> • CAN bus • Analog inputs and analog output • Digital inputs and outputs • 24 V DC voltage supply 	
	19	---	Thread for screw eyes	

Figure 20: F6 housing 9 rear view with control board APPLICATION



Further information can be found in the respective control board manual.



Instructions for use COMBIVERT F6 control board APPLICATION
www.keb.de/fileadmin/media/Manuals/dr/ma_dr_f6-cu-a-inst-20118593_en.pdf



Instructions for use COMBIVERT F6 control board COMPACT
www.keb.de/fileadmin/media/Manuals/dr/ma_dr_f6-cu-k-inst-20144795_en.pdf



Instructions for use COMBIVERT F6 control board PRO
www.keb.de/fileadmin/media/Manuals/dr/ma_dr_f6-cu-p-inst-20182705_en.pdf



5.2 Connection of the power unit

NOTICE

Destruction of the drive controller!

- ▶ Never exchange mains input and motor output!

5.2.1 Connection of the voltage supply

The COMBIVERT F6 can be supplied via terminals L1, L2 and L3 (AC power supply) or via terminals + and - (DC power supply with inrush current limitation)

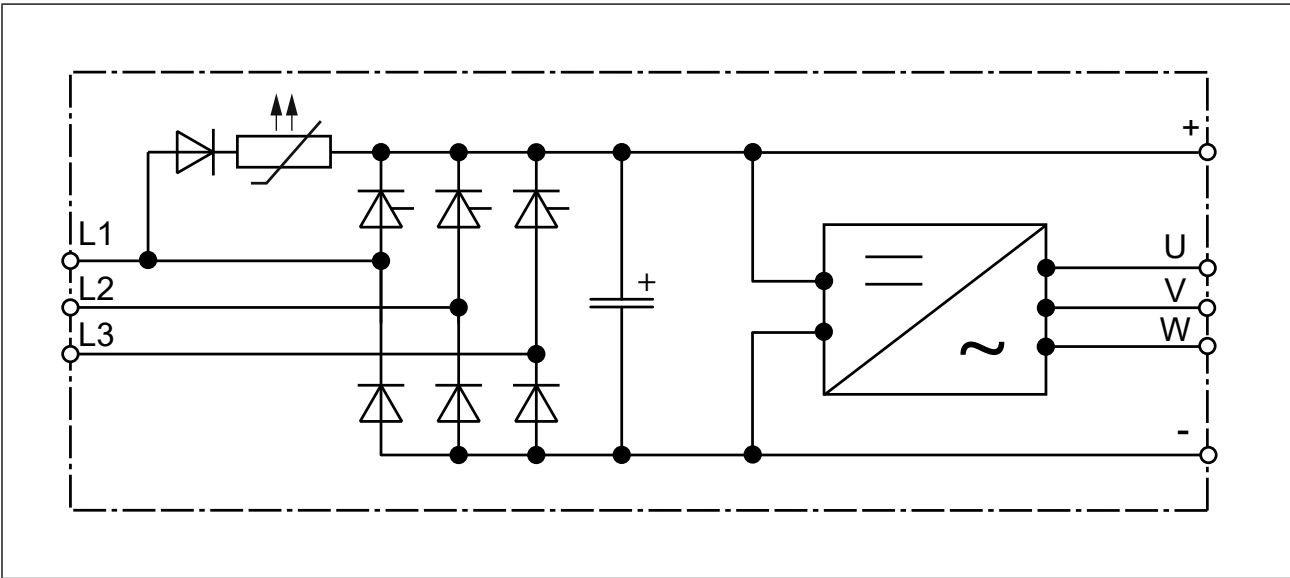


Figure 21: Input circuit

NOTICE

With AC power supply, observe the minimum waiting time between two switch-on procedures!

Cyclical switching off and on of the drive converter leads to temporary high impedance of the PTC precharging resistor. After the PTC precharging resistor has cooled down, it can be restarted without restrictions. The waiting time between two switch-on processes depends on the external capacitance, the AC mains voltage and the ambient temperature.

- ▶ Without external capacity: 5 min
- ▶ With external capacity (additional drive converters): 20 min

NOTICE

No inrush current limitation with DC power supply!

- ▶ An external inrush current limiter must be provided for DC power supplies.

5.2.1.1 Terminal block X1A for 400V devices



Name	Function	Terminal connection	Tightening torque	Max. number of conductors
L1	Mains connection 3-phase	16 mm stud for M16 crimp connector	35Nm 310lb inch	2
L2				
L3				
+	DC terminals			
-				
R	Connection for braking resistor (between + and R)			
U	Motor connection			
V				
W				

Figure 22: Terminal block X1A for 400V devices

5.2.2 Protective earth and functional earth



Protective and functional earth must not be connected to the same terminal.

5.2.2.1 Protective earth

The protective earth (PE) serves for electrical safety particularly personal protection in error case.



Electric shock due to incorrect dimensioning!

- ▶ Cross-section wire to ground should be selected according to *VDE 0100!*

Name	Function	Terminal connection	Tightening torque	Max. number of conductors
PE,	Connection for protective earth	16 mm stud for M16 crimp connector	35 Nm 310 lb inch	1

Figure 23: Connection for protective earth



Incorrect installation of the PE connection

Only the M16 studs with nuts may be used to connect the protective earth!

5.2.2.2 Functional earthing

A functional earthing may also be necessary, if for EMC requirements additional potential equalization between devices or parts of the system must be available.



The use of the functional earth (FE) is not required if the frequency inverter is EMC-technically wired.

The functional earth may not be wired green/yellow!



Notes on EMC-compatible installation can be found here.
www.keb.de/fileadmin/media/Manuals/emv/0000neb0000.pdf



5.3 Mains connection

5.3.1 Supply cable

The conductor cross-section of the supply cable is determined by the following factors:

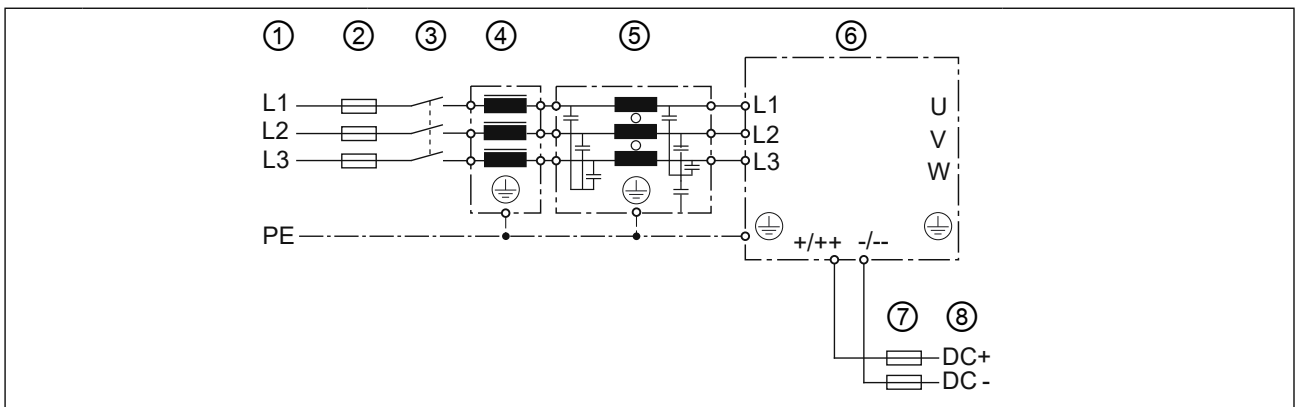
- Input current of the drive controller
- Used line type
- Installation and ambient temperatures
- The locally valid electrical regulations



The application engineer is responsible for the design!

5.3.2 AC mains connection

5.3.2.1 AC supply 3-phase



No.	Type	Description	
1	Mains phase	3-phase	
	Mains form	TN, TT	IT
		The rated voltage between one phase conductor and earth potential (or the neutral point in the IT system) must not exceed 300V, USA UL: 480 / 277 V. (For the IT system, a short-term disconnection must be ensured).	
Personal protection	RCMA with separator or RCD type B	Insulation monitors	
2	Mains fuses	see chapter "Protection of the drive controllers"	
3	Mains contactor	-	
4	Mains choke	see notes in chapter "Filters and chokes"	
5	HF filter for TN-, TT systems	Required for compliance with the limit values in accordance with <i>EN 61800-3</i> .	
	HF filter for IT systems		
6	Drive controller	COMBIVERT F6	
7	DC-fuses	See note in chapter „Fusing of the devices“.	
8	DC-supply	DC supply generated by the drive controller for connecting further drive controllers => „5.3.6 DC-bus connection“	

Figure 24: Connection of the mains supply 3-phase

5.3.3 DC mains connection

5.3.3.1 Terminal block X1A DC connection



Name	Function	Terminal connection	Tightening torque	Max. number of conductors
+	DC terminals	16 mm stud for M16 crimp connector	35 Nm 310 lb inch	2
-				

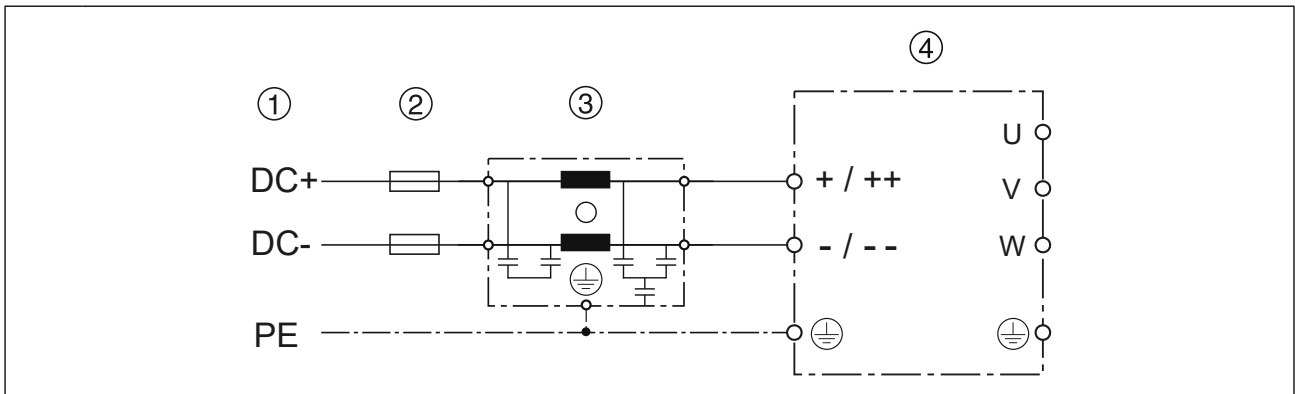
Figure 25: Terminal block X1A DC connection

5.3.3.2 Connection at DC voltage supply

NOTICE

Destruction of the drive controller!

► Never exchange “+ / ++” and “- / --”!

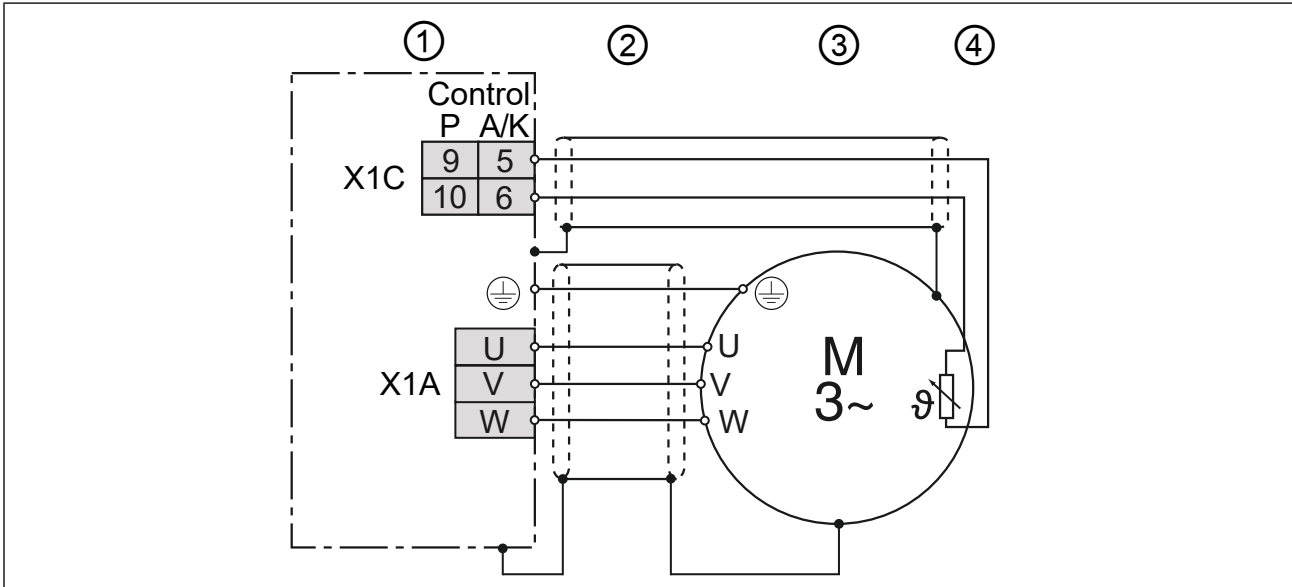


No.	Type	Description
1	Mains connection	2-phase
2	DC mains fuses	See note in chapter “Fuse protection for DC-supply”
3	HF-Filter	Type aR
4	Drive controller	COMBIVERT F6

Figure 26: Connection at DC voltage supply

5.3.4 Connection of the motor

5.3.4.1 Wiring of the motor



Legend

1	KEB COMBIVERT
2	Apply motor cable, shielding on both sides over a large surface on the bare metallic frame or mounting plate (remove paint if necessary)
3	Three-phase motor
4	Temperature monitoring (optional) => <i>Instructions for use "Control circuit"</i>

Figure 27: Wiring of the motor

5.3.4.2 Terminal block X1A motor connection



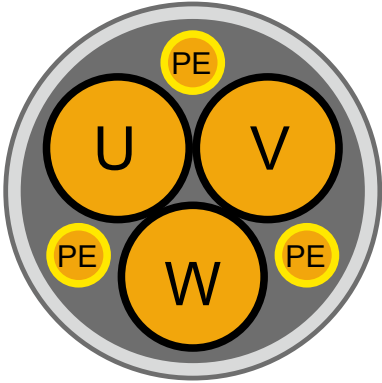
Name	Function	Terminal connection	Tightening torque	Max. number of conductors
U	Motor connection	16 mm stud for M16 crimp connector	35 Nm 310lb inch	2
V				
W				

Figure 28: Terminal block X1A motor connection

5.3.4.3 Selection of the motor line

The correct cabling as well as the motor line itself play an important part in case of low power in connection with long motor line lengths. Low-capacitance line (phase/phase < 65 pF/m, phase/screen < 120 pF/m) at the inverter output have the following effects:

- allow major motor line lengths („5.3.4.4 Motor cable length and conducted interferences at AC supply“)
- better EMC properties (reduction of the common-mode output currents to earth)

	<p>The use of shielded motor lines with symmetrical structure is required for higher motor power (from 30 kW). In these lines the protective earth conductor is tripartite and evenly arranged between the phase lines. A cable without protective earth conductor can be used if local regulations so permit. Then the protective earth conductor must be laid externally. Certain lines also permit the shield for the use as protective earth conductor. For this, observe the details of the line manufacturer!</p>
<p>Figure 29: Symmetrical motor line</p>	

5.3.4.4 Motor cable length and conducted interferences at AC supply

The maximum motor cable length is depending on the capacity of the motor cable as well as on the EMC emitted interference. External measures must be taken here (e.g. the use of a line filter).

i The cable length can be increased significantly by using motor chokes or motor filters. KEB recommends the use of motor chokes or filters for a cable length upto 25 m.

i Further information on the motor cable length can be found in the corresponding filter instructions.

5.3.4.5 Motor cable length for parallel operation of motors

The resulting motor cable length for parallel operation of motors, or parallel installation with multiple cables arises from the following formula:

$$\text{Resulting motor cable length} = \sum \text{single cable length} \times \sqrt{\text{Number of motor cables}}$$

5.3.4.6 Motor cable cross-section

The motor cable cross-section is dependent

- on the characteristic of the output current (e.g. harmonic content)
- on the real effective value of the motor current
- on the cable length
- on the type of the used cable
- on the ambient conditions such as bundling and temperature

5.3.4.7 Interconnection of the motor

NOTICE

Incorrect behavior of the motor!

- ▶ The connecting-up instructions of the motor manufacturer are always generally valid!

NOTICE

Protect motor against voltage peaks!

- ▶ Drive controllers switch at the output with high dv/dt . Voltage peaks that endanger the insulation system at the motor can occur especially in case of long motor cables (>15 m). A motor choke, a dv/dt -filter or sine-wave filter can be used to protect the motor with regard to the operating mode.

5.3.4.8 Connection of the temperature monitoring and brake control (X1C)

A switchable temperature evaluation is implemented in the COMBIVERT.

There are different types for the evaluation available. These are depending on the control board => *instruction manual „control board“*.

The desired operating mode can be adjusted via software (dr33). If the evaluation is not required, it must be deactivated via software (parameter pn12 = 7) => *Programming manual*

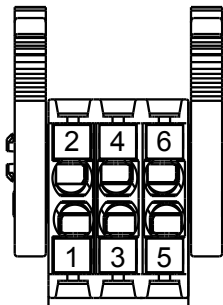
X1C	PIN	Name	Description
	1	BR+	Brake control / output +
	2	BR-	Brake control / output -
	3	reserved	–
	4	reserved	–
	5	TA1	Temperature detection / output +
	6	TA2	Temperature detection / output -

Figure 30: Terminal block X1C for control board APPLICATION and COMPACT

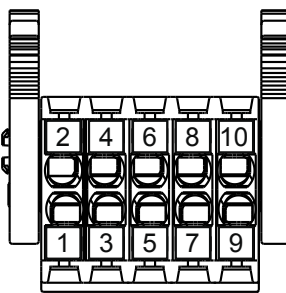
X1C	PIN	Name	Description
	1	BR+	Brake control / output +
	2	BR-	Brake control / output -
	3	0V	For supply of the checkback inputs
	4	24Vout	
	5	DIBR1	Checkback input 1 for brake and relay
	6	DIBR2	Checkback input 2 for brake and relay
	7	reserved	–
	8	reserved	–
	9	TA1	Temperature detection / output +
	10	TA2	Temperature detection / output -

Figure 31: Terminal block X1C for control board PRO

NOTICE

Malfunctions due to incorrect line or laying!

Malfunctions of the control due to capacitive or inductive coupling.

- ▶ Do not route cables from the motor temperature sensor (also shielded) together with control cables.
- ▶ Cables from the motor temperature sensor within the motor cables may only be used with double shielding!
- ▶ The input of the temperature detection has basic isolation.

		<p>For control board APPLICATION and COMPACT. The voltage to the control of a brake is decoupled from the internal voltage supply. The brake works only with external voltage supply.</p> <p>For control board PRO The brake can be supplied with both, internal and external voltage. Voltage tolerances and output currents vary for internal and external voltage supply..</p>
1	COMBIVERT	<p>Respect the specifications => instruction manual „control board“</p>
4	Brake	
<p>Figure 32: Connection of the brake control</p>		

		<p>KTY sensors are polarized semiconductors and must be operated in forward direction! To this connect the anode to TA1 and the cathode to TA2! Non-observance leads to incorrect measurements in the upper temperature range. A protection of the motor winding is then no longer guaranteed.</p>
1	Connection via shield plate (if not available, place on the mounting plate).	
<p>Figure 33: Connection of a KTY sensor</p>		

NOTICE

- No protection of the motor winding in case of wrong connection.**
- ▶ Operate KTY sensors in forward direction.
 - ▶ KTY sensors may not be combined with other detections.



Further information about the wiring of the temperature monitoring and the brake control have to be observed in the respective control unit manual.

5.3.5 Connection and use of a braking resistor

⚠ CAUTION



Fire risk by using brake resistors!

- ▶ The risk of fire can be significantly reduced by using „intrinsically safe braking resistors“ or by using suitable monitoring functions / circuits.

NOTICE

Destruction of the frequency inverter if the value has fallen below the minimum brake resistance value!

- ▶ The minimum brake resistance value must not fall below!
„3.2 Device data of the High Speed Drive devices“

⚠ CAUTION



Hot surfaces caused by load of the braking resistor!

Burning of the skin!

- ▶ Cover hot surfaces safe-to-touch.
- ▶ Before touching, check the surface.
- ▶ If necessary, attach warning signs on the system.

5.3.5.1 Terminal block X1A connection braking resistor



Name	Function	Terminal connection	Tightening torque	Max. number of conductors
+	Connection for braking resistor (between + and R)	16 mm stud for M16 crimp connector	35 Nm 310lb inch	2
R				

Figure 34: Terminal block X1A connection braking resistor



At devices with sub-mounted braking resistors, there is no electrical connection to the braking transistor at terminal R!

5.3.5.2 Use of non-intrinsically safe braking resistors

⚠ WARNING



Use of non-intrinsically safe braking resistors

Fire or smoke emission in case of overload or error!

- ▶ Only use braking resistors with temperature sensor.
- ▶ Evaluate temperature sensor.
- ▶ Trigger an error at the drive controller (e.g. external input).
- ▶ Switch off input voltage (e.g. input contactor).
- ▶ Connection examples for non-intrinsically safe braking resistors
=> [Instructions for use "Installation braking resistors"](#).



Instructions for use "Installation braking resistors"
www.keb.de/fileadmin/media/Manuals/dr/ma_dr_braking-resistors-20116737_en.pdf



5.3.6 DC-bus connection

The DC link of several drive controllers are coupled in a DC-bus connection. This enables energy to be exchanged between the devices and increases the energy efficiency of the application.

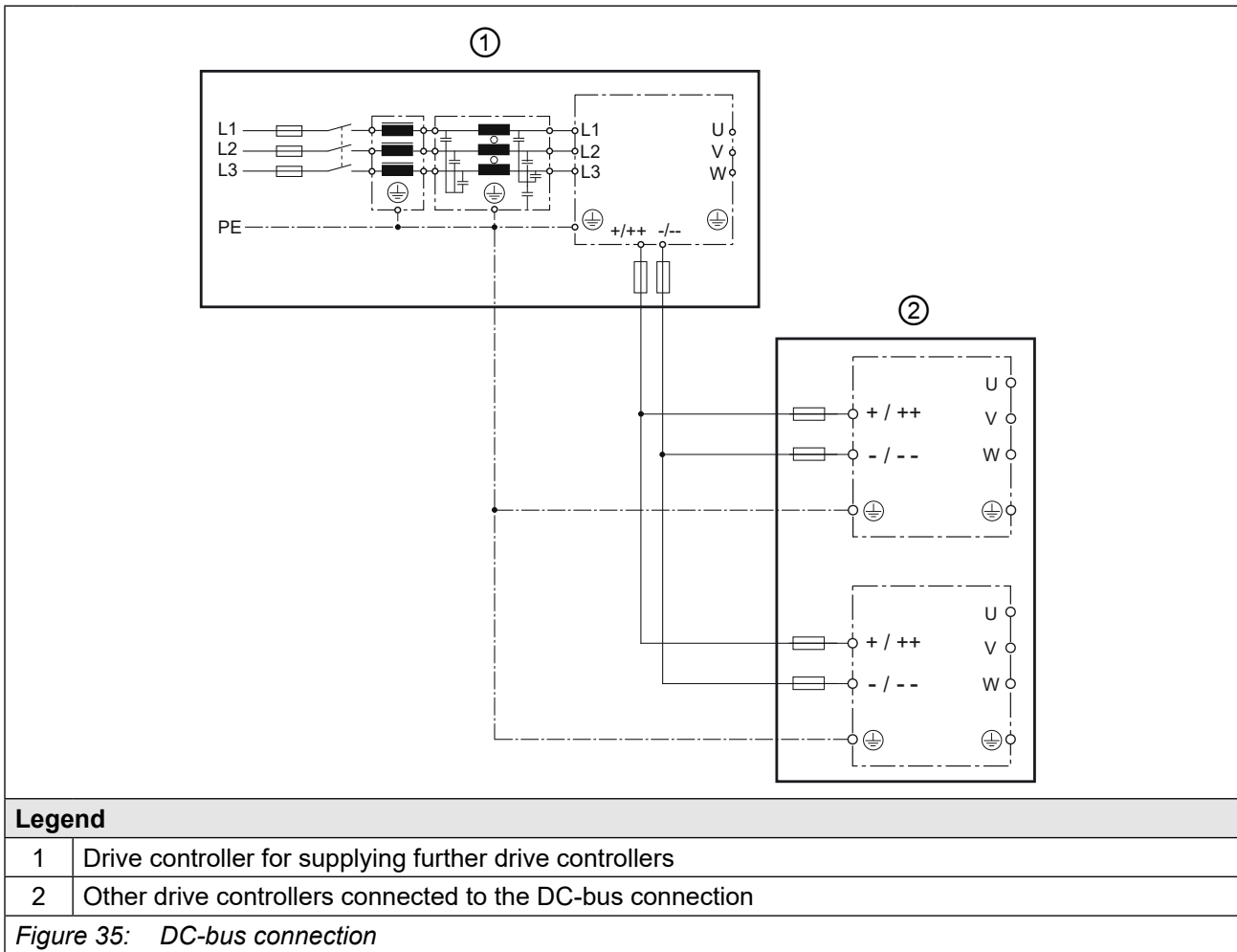
As part of a DC-bus connection, this drive controller can either be supplied via the DC terminals => „5.3.3 DC mains connection“ or supply other drive controllers via the DC terminals => „5.3.2 AC mains connection“.



KEB has not tested the large number of possible DC connections against the EMC product standard DIN EN IEC 61800-3. CE conformity of the DC-bus connection is the responsibility of the user.

The following additional safety instructions must be observed when using this drive controller in a DC-bus connection:

- This drive controller may only be operated together with other F6 and S6 drive controllers of the 400V class in a DC-bus connection.
- This drive controller must be installed in an enclosure.
- This drive controller must be protected with fuses at the DC terminals => „3.2.6.2 Fuse protection for DC supply“.
- If one fuse in the DC-bus connection blows as a result of a short circuit, all fuses in the DC-bus connection should be replaced due to the risk of prior damage.
- The parameterisation of the input phase failure detection must be adapted => F6 Programming manual.



① When using this drive controller to supply other drive controllers via the DC terminals, the following must also be observed:

- The maximum prechargeable total capacity (internal capacity + external capacity) must not be exceeded => „[Table 28: DC link / braking transistor function of the HSD devices](#)“.
- The minimum waiting time between two precharging procedures must be observed => „[5.2.1 Connection of the voltage supply](#)“.
- Drive controllers supplied via the DC terminals must not be loaded during precharging.
- Overloading of the rectifier must be prevented by the user => „[3.2.4 Overview of rectifier data for HSD devices](#)“.

② When supplying this drive controller via the DC terminals, the following must also be observed:

- The drive controller must be pre-charged by the supplying drive controller or an external pre-charging module.

5.3.7 External heat sink fan supply (FAN)



The external heat sink fan supply is only available for air-cooled appliances.

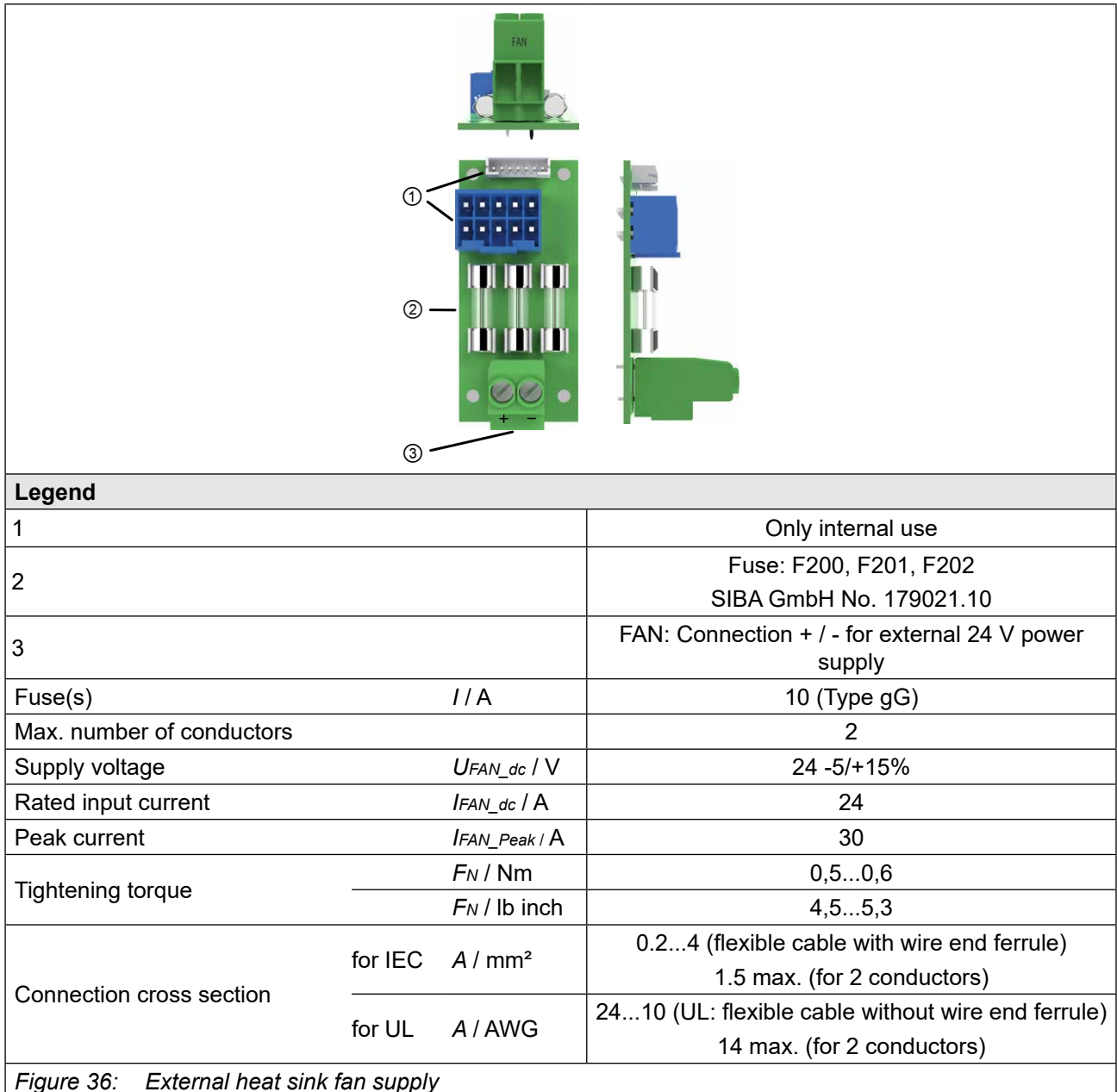


Figure 36: External heat sink fan supply



The control card and the heat sink fans should be supplied via separate external voltage sources.

In the event of a fault in the heat sink fans, this provides an uninterrupted supply of power to the control system.

NOTICE

Use of unsuitable voltage sources!

Electric shock!

- ▶ Only voltage sources (PELV) according to VDE 0100 permitted.
 - ▶ Ensure that the overvoltage category of the voltage supply is sufficient.
 - ▶ Observe the triggering characteristics of the fuses when selecting the voltage source of the heat sink fan supply.
-



Avoid overtemperature errors by adjusting the fan voltage

The voltage drop across the supply cable must be taken into account when supplying the fans with power.

The voltage at the FAN terminal must be 24V at full fan speed. KEB recommends a voltage source with adjustable output voltage

5.4 Accessories

5.4.1 Filters and chokes

Voltage class	Drive controller size	HF filter	Mains choke 50 Hz / 4% U_k
400V	29	• 33E6T60-3150	30Z1B04-1000
	30	• 33E6T60-3150	30Z1B04-1000
	31	• 33E6T60-3150	31Z1B04-1000
	32	• 33E6T60-3150	32Z1B04-1000
	33	• 33E6T60-3150	33Z1B04-1000

Table 41: Filters and chokes



The specified filters and chokes are designed for rated operation.

5.4.2 Seal for IP54-ready devices

Name	Material number
Flat seal IP54	00F6T45-0001

Table 42: Seal for IP54-ready devices

5.4.3 Side-mounted braking resistors



Technical data and design about non-intrinsically safe braking resistors

www.keb.de/fileadmin/media/Manuals/dr/ma_dr_braking-resistors-20116737_en.pdf



6 Operation of Liquid-Cooled Devices

6.1 Water-cooled devices

The use of water-cooled KEB COMBIVERT drive converters is offered, because there are process-caused coolants available with some applications. However, the following instructions must be observed.

6.1.1 Heat sink and operating pressure

Design system	Material	max. operating pressure	Connection
Aluminium heat sink	Aluminium -1,67 V	10 bar	=> „6.1.4 Connection of the cooling system“

NOTICE

Deformation of the heat sink!

- ▶ In order to avoid a deformation of the heat sink and the damages thereby, the indicated maximum operating pressure may not be exceeded briefly also by pressure peaks.
- ▶ Observe the Pressure Equipment Directive 2014/68/EU!

6.1.2 Materials in the cooling circuit

For the screw connections and also for the metallic articles in the cooling circuit which are in contact with the coolant (electrolyte) a material is to be selected, which forms a small voltage difference to the heat sink in order to avoid contact corrosion and/or pitting corrosion (electro-chemical voltage series, see the following table). The specific case of application must be checked by the customer in tuning of the complete cooling circuit and must be classified according to the used materials. With hoses and seals take care that halogen-free materials are used.

A liability for occurring damages by wrongly used materials and from this resulting corrosion cannot be taken over!

Material	formed ion	Standard potential	Material	formed ion	Standard potential
Lithium	Li+	-3.04 V	Nickel	Ni ²⁺	-0.25 V
Potassium	K+	-2.93 V	Tin	Sn ²⁺	-0.14 V
Calcium	Ca ²⁺	-2.87 V	Lead	Pb ³⁺	-0.13 V
Sodium	Na+	-2.71 V	Iron	Fe ³⁺	-0.037 V
Magnesium	Mg ²⁺	-2.38 V	Hydrogen	2H+	0.00 V
Titan	Ti²⁺	-1.75 V	Stainless steel (1.4404)	various	0.2...0.4 V
Aluminium	Al ³⁺	-1.67 V	Copper	Cu ²⁺	0.34 V
Manganese	Mn ²⁺	-1.05 V	Carbon	C ²⁺	0.74 V
Zinc	Zn ²⁺	-0.76 V	Silver	Ag+	0.80 V

continued on the next page

Material	formed ion	Standard potential	Material	formed ion	Standard potential
Chrome	Cr ³⁺	-0.71 V	Platinum	Pt ²⁺	1.20 V
Iron	Fe ²⁺	-0.44 V	Gold	Au ³⁺	1.42 V
Cadmium	Cd ²⁺	-0.40 V	Gold	Au ⁺	1.69 V
Cobald	Co ²⁺	-0.28 V			

Table 43: Electrochemical series / standard potentials against hydrogen

6.1.3 Requirements for the coolant

The requirements for the coolant depend on the ambient conditions as well as the used cooling system.

General requirements for the coolant:

Requirement	Description
Standards	Corrosion protection according to <i>EN 12502-1...5</i> , water treatment and use of materials in cooling systems according to <i>VGB S 455 P</i> .
VGB Cooling water directive	The VGB cooling water directive (<i>VGB S 455 P</i>) contains instructions about common process technology of the cooling. Particularly the interactions between cooling water and components of the cooling system are described.
Abrasive substances	Abrasive substances as used in abrasive (quartz sand), clogging the cooling circuit.
Hard water	Cooling water may not cause scale deposits or loose excretions. The total hardness should be between 7...20 °dH, the carbon hardness at 3...10 °dH.
Soft water	Soft water (<7°dH) corrodes the material.
Frost protection	An appropriate antifreeze must be used for applications when the heat sink or the coolant is exposed temperatures below zero. Use only products of one manufacturer for a better compatibility with other additives. KEB recommends the antifreeze Antifrogen N from Clariant with a maximum volume content of 52 %.
Corrosion protection	Additives can be used as corrosion protection. In connection with frost protection the antifreeze must have a concentration of 20...25Vol %, in order to avoid a change of the additives. Alternatively, an antifreeze / glycol with a concentration of 20% ... max. vol 52% can be used. If antifreeze is used, the water does not need to be provided with additional additives.

Table 44: Requirements for the coolant

Special requirements for open and half-open cooling systems:

Requirement	Description
Impurities	Mechanical impurities in half-open cooling systems can be counteracted when appropriate water filters are used.
Salt concentration	The salt content can increase through evaporation at half-open systems. Thus the water is more corrosive. Adding of fresh water and removing of process water works against.
Algae and myxobacteria	Algae and myxobacteria can arise caused by increased water temperature and contact with atmospheric oxygen. The algae and myxobacteria clog the filters and obstruct the water-flow. Biocide containing additives can avoid this. Especially at longer OFF periods of the cooling circuit preventive maintenance is necessary.
Organic materials	The contamination with organic materials must be kept as small as possible, because separate slime can be caused by this.

Table 45: Special requirements for open and half-open cooling systems



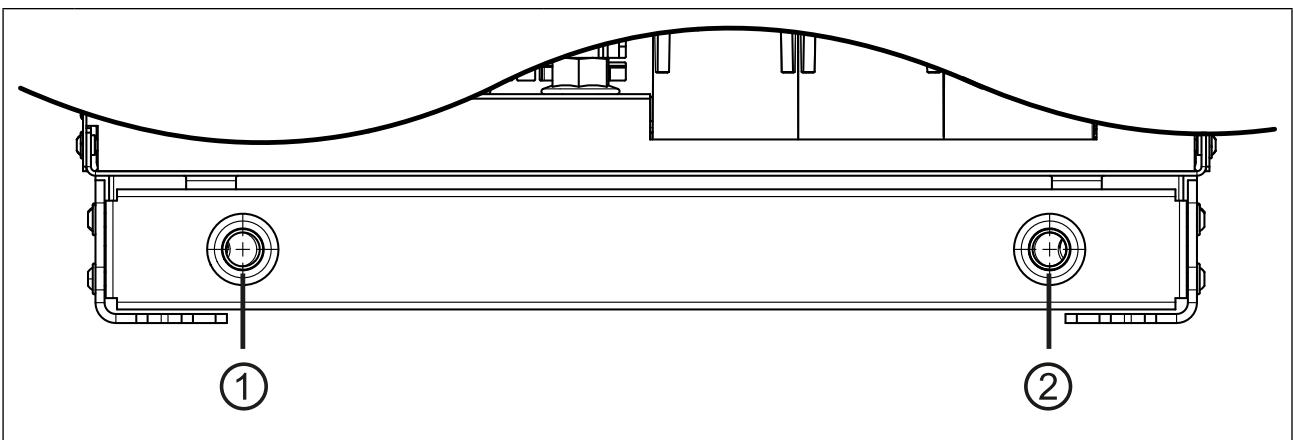
Damages at the device which are caused by clogged, corroded heat sinks or other obvious operating errors, leads to the loss of the warranty claims.

6.1.4 Connection of the cooling system

The connection to the cooling system can occur as closed or open cooling circuit. The connection to a closed cycle cooling circuit is recommended, because the danger of contamination of coolant is very small. Preferably also a monitoring of the pH value of the coolant should be installed.

Pay attention to a corresponding conductor cross-section at required equipotential bonding in order to avoid electro-chemical procedures.

Other elements in the cooling circuit such as pumps, shut-off valves, ventilation etc. must be attached according to the cooling system and the local conditions.



No.	Connection	Type
1	Flow	Open pipe ends for the connection of the cooling system Pipe diameter outside: 18 mm
2	Return flow	

Figure 37: Open pipe ends for the connection of the cooling system



For the connection of the cooling system KEB recommends the use of functional nuts, e.g. from the manufacturer "Parker", type FMxxL71 (xx = pipe diameter).

The recommended tightening torque is 80 Nm.



To monitor the volume flow in the cooling system KEB recommends the use of a volume flow monitor.

6.1.5 Coolant temperature and moisture condensation

The flow temperature should be selected depending on the volume flow so that the heat sink temperature is always 10 K below the overtemperature level (OH) during rated operation. This avoids sporadic shutdown.

The maximum heat sink temperature can be found in chapter => „3.3.1 Switching frequency and temperature“.

6.1.5.1 Condensation

A temperature difference between drive converter and ambient temperature can lead to condensation at high humidity.

Moisture condensation is dangerous for the drive converter. The drive converter can be destroyed through occurring short-circuits.

NOTICE

Destruction of the drive converter due to short circuit!

- ▶ The user must guarantee that any moisture condensation is avoided!

6.1.5.2 Supply of temper coolant

- The supply of optimally tempered coolant is possible by using heaters in the cooling circuit to control the coolant temperature.
- The following dew point table shows the coolant inlet temperature depending on the ambient temperature and air humidity.

Ambient temperature / °C \ Air humidity / %	10	20	30	40	50	60	70	80	90
-10	-34	-26	-22	-19	-17	-15	-13	-11	-11
-5	-29	-22	-18	-15	-13	-11	-8	-7	-6
0	-26	-19	-14	-11	-8	-6	-4	-3	-2
5	-23	-15	-11	-7	-5	-2	0	2	3
10	-19	-11	-7	-3	0	1	4	6	8
15	-18	-7	-3	1	4	7	9	11	13
20	-12	-4	1	5	9	12	14	16	18
25	-8	0	5	10	13	16	19	21	23
30	-6	3	10	14	18	21	24	26	28
35	-2	8	14	18	22	25	28	31	33
40	1	11	18	22	27	31	33	36	38
45	4	15	22	27	32	36	38	41	43
Coolant inlet temperature / °C									

Table 46: Dew point table



Information on coolant management is given in the following document

www.keb.de/fileadmin/media/Techinfo/dr/an/tj_dr_an-liquid-cooling-00004_en.pdf



NOTICE

Destruction of the heat sink at storage / transport of water-cooled devices!

Observe the following points when storing water-cooled devices:

- ▶ Completely empty the cooling circuit
- ▶ Blow out the cooling circuit with compressed air

NOTICE

Destruction of the drive converter due to condensation!

- ▶ Use only NC valves!

6.1.6 Permissible volume flow with water cooling

The volume flow of the following table must be observed.

Device size		30	31	32	33
Min. volume flow	Q_{min} / l/min	25	25	30	35
Max. volume flow	Q_{max} / l/min	35	40	40	40

Table 47: Permissible volume flow with water cooling



The volume flow depends on the total power dissipation.

=> „6.1.7 Coolant heating“

NOTICE

Destruction of the heat sink due to erosion!

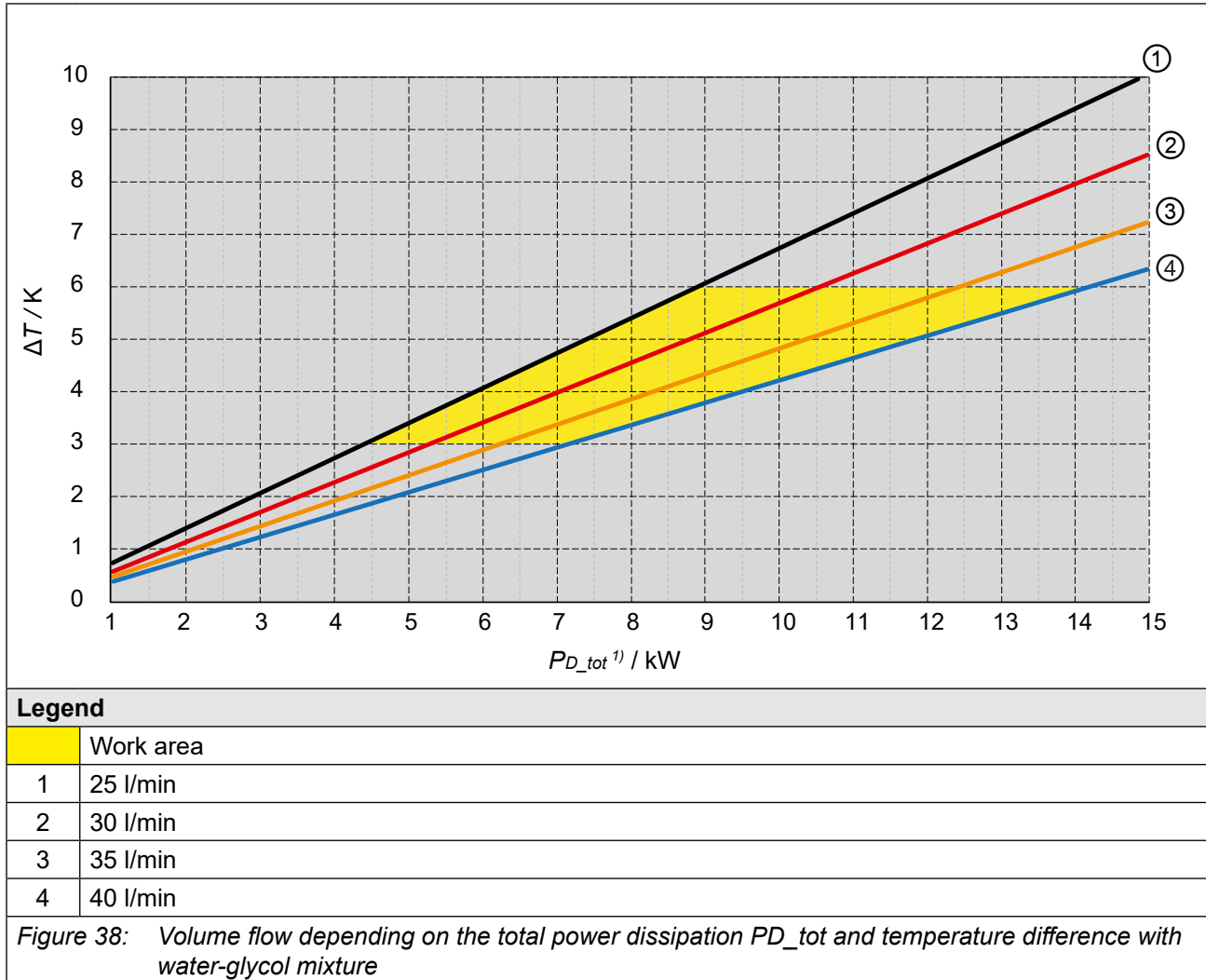
- ▶ The maximum permissible volume flow must not be exceeded.

6.1.7 Coolant heating

The following curve characteristics apply to a flow temperature of 55 °C and a glycol content of 52 %.

6.1.7.1 Coolant heating

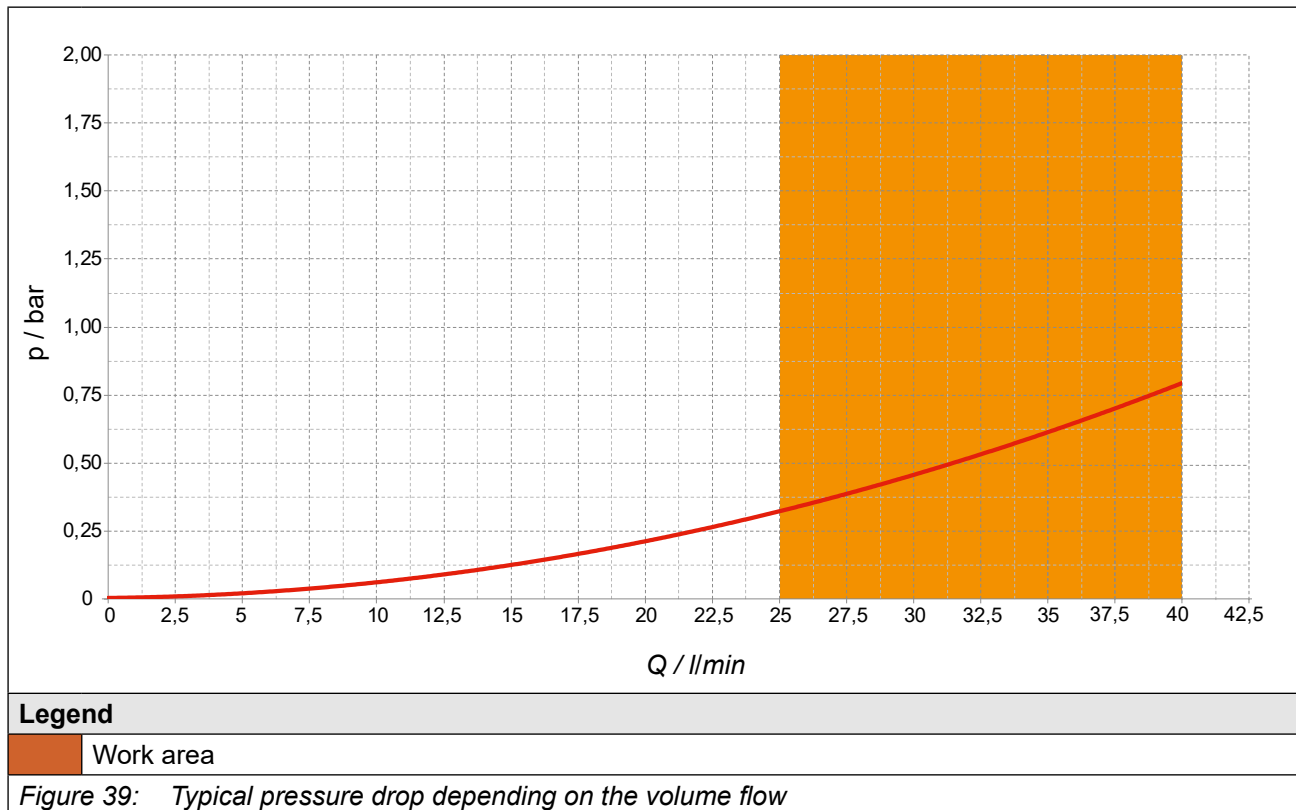
Volume flow depending on the total power dissipation and temperature difference between flow and return flow.



¹⁾ P_{D_tot} can be higher than the power dissipation P_D during rated operation due to overload, higher switching frequency or sub-mounted braking resistors.

6.1.8 Typical pressure drop of the heat sink

- The curve characteristic shown below is valid for 25 °C flow temperature and a glycol content of 52 %.
- If higher flow temperatures are used, the pressure drop in the system decreases.
- This also applies to cooling media such as water or another glycol mixture.
- A glycol mixture from Clariant in a ratio of 52 % or 33 % is recommended.



7 Certification


7.1 CE marking

The drive controllers labelled with a CE logo comply with the requirements of the Machinery Directive as well as the EMC and Rohs Directives and energy efficiency regulations.



For further information regarding the CE declarations of conformity
=> „7.3 Further informations and documentation“

7.2 UL certification

	<p>Acceptance according to UL is marked at KEB drive controllers with the adjacent logo on the nameplate.</p>
---	---

To be conform according to UL for use on the North American and Canadian Market the following additionally instructions must be observed (original text of the UL-File):

- All models:
Maximum Surrounding Air Temperature: 45°C
- Use 75°C Copper Conductors Only
- Control Circuit Overcurrent Protection Required
- Integral solid state short circuit protection does not provide branch circuit protection. Branch circuit protection must be provided in accordance with the Manufacturer Instructions, National Electrical Code and any additional local codes.

CSA: For Canada: Integral solid state short circuit protection does not provide branch circuit protection. Branch circuit protection must be provided in accordance with the Canadian Electrical Code, Part I.

LA PROTECTION INTÉGRÉE CONTRE LES COURTSCIRCUITS N'ASSURE PAS LA PROTECTION DE LA DÉRIVATION. LA PROTECTION DE LA DÉRIVATION DOIT ÊTRE EXÉCUTÉE CONFORMÉMENT AU CODE CANADIEN DE L'ÉLECTRICITÉ, PREMIÈRE PARTIE.

- Only for use in non-corner grounded type WYE source not exceeding 277V phase to ground.
- For installations according to Canadian National Standard C22.2 No. 274-13:
For use in Pollution Degree 2 and Overvoltage Category III environments only.
- Models 30F6, 31F6, 32F6: Suitable For Use On A Circuit Capable Of Delivering Not More Than 30000 rms Symmetrical Amperes, 480 Volts Maximum when protected by Class L Fuses, see instruction manual for Branch Circuit Protection details.

Models 33F6: Suitable For Use On A Circuit Capable Of Delivering Not More Than 42000 rms Symmetrical Amperes, 480 Volts Maximum when protected by Class L Fuses, see instruction manual for Branch Circuit Protection details.

All Models: Suitable For Use On A Circuit Capable Of Delivering Not More Than 100,000 rms Symmetrical Amperes, 480 Volts Maximum when protected by Semiconductor Fuses by SIBA, Type 206xy32.630, or by Bussmann, Type 170M5xxx or by Littelfuse, Type PSR032xyxxxx, see instruction manual for Branch Circuit Protection details.

- **WARNING** – The opening of the branch circuit protective device may be an indication that a fault current has been interrupted. To reduce the risk of fire or electrical shock, current-carrying parts and other components of the controller should be examined and replaced if damaged. If burnout of the current element of an overload relay occurs, the complete overload relay must be replaced.

CSA: For Canada:

“ATTENTION - LE DÉCLENCHEMENT DU DISPOSITIF DE PROTECTION DU CIRCUIT DE DÉRIVATION PEUT ÊTRE DÙ À UNE COUPURE QUI RÉSULTE D'UN COURANT DE DÉFAUT. POUR LIMITER LE RISQUE D'INCENDIE OU DE CHOC ÉLECTRIQUE, EXAMINER LES PIÈCES PORTEUSES DE COURANT ET LES AUTRES ÉLÉMENTS DU CONTRÔLEUR ET LES REMPLACER S'ILS SONT ENDOMMAGÉS. EN CAS DE GRILLAGE DE L'ÉLÉMENT TRAVERSÉ PAR LE COURANT DANS UN RELAIS DE SURCHARGE, LE RELAIS TOUT ENTIER DOIT ÊTRE REMPLACÉ.”

- Brake resistor ratings and duty cycle:
 - Duty cycle 25%
 - Max. 30 sec on-time / 90 sec off-time
- For liquid cooled devices:
 - Maximum working pressure: 10 bar (145 psi)
 - Liquid inlet temperature range: +5...+40°C (standard) and +5...+55°C (high performance)
 - Min water flow rate: 10 l/min

7.3 Further informations and documentation

You find supplementary manuals and instructions for the download under www.keb-automation.com/search

General instructions

- EMC and safety instructions
- Manuals for additional control boards, safety modules, fieldbus modules, etc.

Instruction and information for construction and development

- Input fuses in accordance with UL
- Programming manual for control and power unit
- Motor configurator to select the appropriate drive converter and to create downloads for parameterizing the drive converter

Approvals and approbations

- Declaration of conformity CE
- TÜV certificate
- FS certification

Others

- COMBIVIS, the software for comfortable parameterization of drive converters via PC (available per download)
- EPLAN drawings

8 Revision history

Version	Date	Description
00	2022-12	Completion pre-series version
01	2023-06	Product description, technical data, coolant heating adapted.
02	2023-08	Device size 30 and UL certification included.
03	2023-11	Corrections of the currents
04	2024-01	Series version of the manual created, OL2 currents adapted.
05	2025-03	Glossary, standards, type code updated. Editorial changes, changes to the temperature switching thresholds.
06	2025-05	Inclusion of appliance sizes 29, 30, 31 as air coolers. Description for DC-Ready devices added.



MORE KEB PARTNERS WORLDWIDE:

www.keb-automation.com/contact





Automation with Drive

www.keb-automation.com

KEB Automation KG Suedstrasse 38 D-32683 Barntrop Tel. +49 5263 401-0 E-Mail: info@keb.de