

COMBIVERT S6

INSTRUCTIONS FOR USE | INSTALLATION S6 HOUSING 4

Translation of the original manual
Document 20099887 EN 12



Preface

The hardware and software described in this document are products of KEB. The information contained in this document is valid at the time of publishing. KEB reserves the right to update this document in response to misprints, mistakes or technical changes.

Signal words and symbols

Certain procedures within this document can cause safety hazards during the installation or operation of the device. Refer to the safety warnings in this document when performing these procedures. Safety signs are also located on the device where applicable. A safety warning is marked by one of the following warning signs:

DANGER	Dangerous situation, which will cause death or serious injury if this safety warning is ignored.
WARNING	Dangerous situation, which may cause death or serious injury if this safety warning is ignored.
CAUTION	Dangerous situation, which may cause minor injury if this safety warning is ignored.
NOTICE	Situation, which can cause damage to property if this safety warning is ignored.

RESTRICTION

Used when the following statements depend on certain conditions or are only valid for certain ranges of values.



Used for informational messages or recommended procedures.

More symbols

- ▶ This arrow starts an action step.
- / - Enumerations are marked with dots or indents.
- => Cross reference to another chapter or another page.



Note to further documentation.
<https://www.keb-automation.com/search>



Laws and guidelines

KEB Automation KG confirms with the EC declaration of conformity and the CE mark on the device nameplate that it complies with the essential safety requirements.

The EC declaration of conformity can be downloaded on demand via our website.

Warranty and liability

The warranty and liability on design, material or workmanship for the acquired device is given in the general sales conditions.



Here you will find our general sales conditions.

<https://www.keb-automation.com/terms-conditions>



Further agreements or specifications require a written confirmation.

Support

Although multiple applications are referenced, not every case has been taking into account. If you require further information or if problems occur which are not referenced in the documentation, you can request the necessary information via the local KEB agency.

The use of our units in the target products is outside of our control and therefore lies exclusively in the area of responsibility of the customer.

The information contained in the technical documentation, as well as any user-specific advice in spoken and written and through tests, are made to best of our knowledge and information about the intended use. However, they are regarded as being only informal and changes are expressly reserved, in particular due to technical changes. This also applies to any violation of industrial property rights of a third-party. Selection of our units in view of their suitability for the intended use must be done generally by the user.

Tests can only be done within the intended end use of the product (application) by the customer. They must be repeated, even if only parts of hardware, software or the unit adjustment are modified.

Copyright

The customer may use the instructions for use as well as further documents or parts from it for internal purposes. Copyrights are with KEB and remain valid in its entirety.

This KEB product or parts thereof may contain third-party software, including free and/or open source software. If applicable, the license terms of this software are contained in the instructions for use. The instructions for use are already available to you, can be downloaded free of charge from the KEB website or can be requested from the respective KEB contact person.

Other wordmarks or/and logos are trademarks (™) or registered trademarks (®) of their respective owners.

Table of Contents

Preface	3
Signal words and symbols	3
More symbols.....	3
Laws and guidelines.....	4
Warranty and liability.....	4
Support	4
Copyright.....	4
Table of Contents	5
1 Basic Safety Instructions	8
1.1 Target group.....	8
1.2 Transport, storage and proper use.....	9
1.3 Installation.....	10
1.4 Electrical connection	11
1.4.1 EMC-compatible installation.....	12
1.4.2 Voltage test.....	12
1.4.3 Insulation measurement.....	12
1.5 Start-up and operation	13
1.6 Maintenance.....	15
1.7 Repair	15
1.8 Disposal.....	16
2 Product description	17
2.1 Specified application.....	17
2.1.1 Residual risks	17
2.2 Unintended use.....	17
2.3 Product features	18
2.4 Type code	19
2.5 Nameplate	20
2.5.1 Configurable options	21
3 Technical data	22
3.1 Operating conditions	22
3.1.1 Climatic environmental conditions.....	22
3.1.2 Mechanical environmental conditions	23
3.1.3 Chemical / mechanical active substances.....	23
3.1.4 Electrical operating conditions.....	24
3.1.4.1 Device classification	24
3.1.4.2 Electromagnetic compatibility.....	24

3.2 Dimensions and weights	25
3.2.1 Built-in version.....	25
3.2.2 Built-in version with accessories	26
3.2.3 Control cabinet installation	27
3.3 Mounting instructions for control cabinet installation	28
3.3.1 Installation depth	29
3.4 Device data.....	30
3.4.1 Overview	30
3.4.2 Rated operation.....	30
3.4.3 Voltage and frequency data.....	31
3.4.3.1 Example for the calculation of the motor voltage	31
3.4.4 Input and output currents / overload.....	32
3.4.5 Overview of rectifier data.....	32
3.4.6 Power dissipation at rated operation	33
3.5 General data.....	33
3.5.1 Overload characteristic (OL)	33
3.5.1.1 Turn-off time depending on the overload at device size 12 and 13.....	34
3.5.1.2 Turn-off time depending on the overload at device size 14.....	35
3.5.1.3 Maximum current (OL2)	36
3.5.2 Switching frequency and temperature.....	38
3.5.3 Fusing of the drive controllers	38
3.5.3.1 Protection of 400 V devices with DC supply.....	39
3.5.3.2 Motor protective circuit-breaker / circuit breaker	40
3.5.4 DC link / braking transistor function.....	42
3.5.5 DC link / braking transistor function.....	43
3.5.6 Fan	44
3.5.6.1 Switching behaviour of the fan	44
3.5.6.2 Switching points of the fan	44

4 Installation and connection 45

4.1 Overview of the COMBIVERT S6.....	45
4.2 Connection of the power unit.....	47
4.2.1 Connection of the voltage supply	47
4.2.1.1 Mains terminal strip X1A.....	48
4.2.2 Leakage currents.....	48
4.2.3 Protective earth and functional earth.....	49
4.2.3.1 Protective earth	49
4.2.3.2 Functional earthing.....	49
4.2.4 AC mains connection.....	50
4.2.4.1 AC supply 400V / 3-phase.....	50
4.2.4.2 Supply cable.....	51
4.2.5 DC mains connection	51
4.2.5.1 DC supply.....	51

4.2.5.2 Terminal block X1B DC connection	52
4.2.6 DC-bus connection	52
4.2.7 Connection of the motor	54
4.2.7.1 Selection of the motor cable	54
4.2.7.2 Conducted immunity depending on the motor cable length at AC supply	54
4.2.7.3 Motor cable length at operation with DC voltage	54
4.2.7.4 Motor cable length for parallel operation of motors	55
4.2.7.5 Motor cable cross-section	55
4.2.7.6 Interconnection of the motor	55
4.2.7.7 Terminal block X1B motor connection	55
4.2.7.8 Wiring of the motor	56
4.2.8 Connection of a braking resistor	57
4.2.8.1 Terminal block X1B connection braking resistor	57
4.2.8.2 Use of intrinsically safe braking resistors	58
4.2.8.3 Use of non-intrinsically safe braking resistors	58
4.3 Brake control and temperature detection for K- and A- control	59
4.3.1 Specification and connection of the brake control	59
4.3.2 Specification and connection of the temperature detection	60
4.3.3 Operation without temperature detection	61
4.3.4 Connection of a KTY sensor	61
4.3.5 Connection of PTC, temperature switch or PT1000	62
4.4 Brake control and temperature detection for P- control	63
4.4.1 Specification and connection of the brake / relay control	63
4.4.2 Specification and connection of the temperature detection	64
4.4.2.1 Operation without temperature detection	65
4.4.2.2 Connection of a KTY sensor	65
4.4.2.3 Connection of PTC, temperature switch or PT1000	66
5 Certification	67
5.1 CE marking	67
5.2 Functional safety	67
5.3 Annex to the declaration of conformity	67
5.4 UL Marking	69
5.5 Further informations and documentation	72
6 Revision history	73
Glossary	74
List of Figures	76
List of Tables	77

1 Basic Safety Instructions

The products are designed and constructed in accordance with state-of-the-art technology and the recognized safety rules and regulations. However, the use of such devices may cause functional hazards for life and limb of the user or third parties, or damages to the system and other material property.

The following safety instructions have been created by the manufacturer for the area of electric drive technology. They can be supplemented by local, country- or application-specific safety instructions. This list is not exhaustive. Violation of the safety instructions by the customer, user or other third party leads to the loss of all resulting claims against the manufacturer.

NOTICE



Hazards and risks through ignorance!

- ▶ Read the instructions for use!
- ▶ Observe the safety and warning instructions!
- ▶ If anything is unclear, please contact KEB Automation KG!

1.1 Target group

This instruction manual is determined exclusively for electrical personnel. Electrical personnel for the purpose of this instruction manual must have the following qualifications:

- Knowledge and understanding of the safety instructions.
- Skills for installation and assembly.
- Start-up and operation of the product.
- Understanding of the function in the used machine.
- Detection of hazards and risks of the electrical drive technology.
- Knowledge of *VDE 0100*.
- Knowledge of national safety regulations.
-

⚠ DANGER



Interventions by unauthorized personnel!

Danger to life by electric shock and malfunction!

- ▶ Modification or repair is only permitted by KEB authorised personnel.

1.2 Transport, storage and proper use

The transport is carried out by qualified persons in accordance with the environmental conditions specified in this manual. Drive controller shall be protected against excessive strains.



Transport of drive controllers with an edge length >75 cm

The transport by forklift without suitable tools can cause a deflection of the heat sink. This leads to premature aging or destruction of internal components.

- ▶ Transport of drive controllers on suitable pallets.
- ▶ Do not stack drive controllers or burden them with other heavy objects.

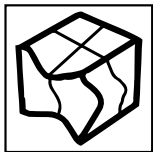
NOTICE

Damage to the coolant connections

Bending of the tubes!

- ▶ Never place the device on the coolant connections

NOTICE



Behaviour in case of transport damage

- ▶ When receiving goods, check the device for transport damage such as deformations or loose parts.
- ▶ In case of damage, contact the carrier immediately.
- ▶ Do not operate the device in case of transport damage!



Drive controllers contain electrostatic sensitive components.

- ▶ Avoid contact.
- ▶ Wear ESD-protective clothing.

Do not store drive controllers

- in the environment of aggressive and/or conductive liquids or gases.
- with direct sunlight.
- outside the specified environmental conditions.

1.3 Installation

⚠ DANGER



Do not operate in an explosive environment!

- ▶ The product is not intended for the use in potentially explosive environment.

⚠ CAUTION



Design-related edges and high weight!

Contusions and bruises!

- ▶ Never stand under suspended loads.
- ▶ Wear safety shoes.
- ▶ Secure drive controller accordingly when using lifting gear.

To prevent damages to the device:

- Make sure that no components are bent and/or isolation distances are changed.
- The device must not be put into operation in case of mechanical defects.
- Do not allow moisture or mist to penetrate the unit.
- Avoid dust permeating the device. Allow for sufficient heat dissipation if installed in a dust-proof housing.
- Note installation position and minimum distances to surrounding elements. Do not cover the ventilation openings.
- Mount the drive controller according to the specified degree of protection.
- Make sure that no small parts fall into the product during assembly and wiring (drilling chips, screws etc.). This also applies to mechanical components, which can lose small parts during operation.
- Check the reliable fit of the device connections in order to avoid contact resistances and sparking.
- Do not walk-on drive controller.
- Follow all safety instructions!

1.4 Electrical connection

DANGER



Voltage at the terminals and in the device!

Danger to life due to electric shock !

- ▶ Never work on the open device or never touch exposed parts.
- ▶ For any work on the unit switch off the supply voltage, secure it against switching on and check absence of voltage by measuring at the input terminals.
- ▶ Wait until all drives has been stopped in order that no regenerative energy can be generated.
- ▶ Await capacitor discharge time (5 minutes). Check absence of voltage by measuring at the terminal block.
- ▶ If personal protection is required, install suitable protective devices for drive converters.
- ▶ Never bridge upstream protective devices (even for testing purposes).
- ▶ Connect the protective earth conductor always to drive converter and motor.
- ▶ Install all required covers and protective devices for operation.
- ▶ The control cabinet shall be kept closed during operation.
- ▶ Residual current: This product may cause a dc current in the protective earth conductor. When a residual current protective device (RCD) or a residual current monitoring device (RCM) is used for the protection against direct or indirect contact, only a RCD or RCM type B is permitted on the power supply side of this product.
- ▶ Drive converters with a leakage current $> 3.5\text{ mA AC}$ current (10 mA DC current) are intended for a stationary connection. Protective earth conductors must be designed in accordance with the local regulations for equipment with high leakage currents according to *EN 61800-5-1*, *EN 60204-1* or *VDE 0100*.



If personnel protection is required during installation of the system, suitable protective devices must be used for drive controllers.

www.keb.de/fileadmin/media/Techinfo/dr/tn/ti_dr_tn-rcd-00008_en.pdf



Installations which include drive controller shall be equipped with additional control and protective devices in accordance with the relevant applicable safety requirements, e.g. act respecting technical equipment, accident prevention rules etc. They must always be complied with, also for drive controller bearing a CE marking.

For a trouble-free and safe operation, please pay attention to the following instructions:

- The electrical installation shall be carried out in accordance with the relevant requirements.
- Cable cross-sections and fuses must be dimensioned by the user according to the specified minimum/maximum values for the application.
- Connection of the drive converter is only permissible on symmetrical networks with a maximum line voltage (L1, L2, L3) with respect to earth (N/PE) of max. 300 V.
- With existing or newly wired circuits the person installing the units or machines must ensure that the PELV requirements are met.
- For drive converters that are not isolated from the supply circuit (in accordance with *EN 60721-3-2*) all control lines must be included in other protective measures (e.g. double insulation or shielded, earthed and insulated).
- When using components without isolated inputs/outputs, it is necessary that equipotential bonding exists between the components to be connected (e.g. by the equipotential line). Disregard can cause destruction of the components by equalizing currents.

1.4.1 EMC-compatible installation

Observance of the limit values required by EMC law is the responsibility of the customer.



Notes on EMC-compatible installation can be found here.

www.keb.de/fileadmin/media/Manuals/dr/emv/0000neb0000.pdf



1.4.2 Voltage test

Testing with AC voltage (in accordance with *EN 60204-1* chapter 18.4) may not be executed, since there is danger for the power semiconductors in the drive controller.



Due to the radio interference suppression capacitors, the test generator will switch off immediately with a current fault.



According to *EN 60204-1* it is permissible to disconnect already tested components. Drive controllers of the KEB Automation KG are delivered ex works voltage tested to 100% according to product standard.

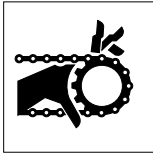
1.4.3 Insulation measurement

An insulation measurement (in accordance with *EN 60204-1* chapter 18.3) with DC 500 V is permissible, if all power unit connections (grid-connected potential) and all control connections are bridged with PE. The insulation resistance of the respective device can be found in the technical data.

1.5 Start-up and operation

The start-up (i.e. for the specified application) is forbidden until it is determined that the installation complies with the machine directive; account is to be taken of [EN 60204-1](#).

⚠ WARNING



Software protection and programming!

Hazards caused by unintentional behavior of the drive!

- ▶ Check especially during initial start-up or replacement of the drive controller if parameterization is compatible to application.
- ▶ Securing a unit solely with software-supported functions is not sufficient. It is imperative to install external protective measures (e.g. limit switch) that are independent of the drive controller.
- ▶ Secure motors against automatic restart.

⚠ CAUTION



High temperatures at heat sink and coolant!

Burning of the skin!

- ▶ Cover hot surfaces safe-to-touch.
- ▶ If necessary, attach warning signs on the system.
- ▶ Before touching, check the surface and coolant lines.
- ▶ Before working let the unit cool down.

- During operation, all covers and doors shall be kept closed.
- Use only approved accessories for this device.
- Never touch terminals, busbars or cable ends.

⚠ WARNING



Triggering of overcurrent protection devices

Risk of fire or electric shock!

- ▶ Triggering of an overcurrent protection device will be a hint for an overload or short circuit. Triggering a RCD may be caused by a leakage current.
- ▶ In order to reduce the risk of fire or electric shock, live parts and other components of the controller should be checked and replaced in case of damage.
- ▶ If the contacts of an overload relay are burned, the complete relay must be replaced.

⚠ CAUTION



High sound level during operation!

Hearing damage possible!

- ▶ Wear hearing protection!

NOTICE

Continuous operation (S1) with load > 60 % or from a rated motor power of 55 kW!

Premature ageing of the electrolytic capacitors!

- ▶ Mains choke with $U_k = 4\%$ absolutely necessary.



If a drive controller with electrolytic capacitors in a DC link has not been in operation for more than one year, observe the following instructions.

www.keb.de/fileadmin/media/Techinfo/dr/tn/ti_dr_tn-format-capacitors-00009_en.pdf



Switching at the output

Switching between motor and drive controller is prohibited for single drives during operation as this may trigger the protection gear of the device. Function ‚speed search‘ must be activated if switching can not be avoided. Speed search may only be triggered after closing the motor contactor (e.g. by switching the control release).

Connecting and disconnecting is permissible with multiple motor drives if at least 1 motor is running during the switch-over process. The drive controller must be dimensioned to the occurring starting currents.

The ‚speed search‘ function must be activated if the motor is still running during a restart of the drive controller (mains on) (e.g. due to large rotating masses).

Switching at the input

For applications that require cyclic switching off and on of the drive controller, maintain an off-time of at least 5 min after the last switch on. If you require shorter cycle times please contact KEB Automation KG.

Short-circuit resistance

The drive converters are conditional short-circuit proof. After resetting the internal protection devices, the function as directed is guaranteed.

Exceptions:

- If an earth-leakage fault or short-circuit often occurs at the output, this can lead to a defect in the unit.
- If a short-circuit occurs during regenerative operation (2nd or 4th quadrant, regeneration into the DC link), this can lead to a defect in the unit.

1.6 Maintenance

The following maintenance work has to be carried out when required, but at least once per year by authorized and trained personnel. Check unit for loose screws and plugs and tighten if necessary.

- ▶ Check system for loose screws and plugs and tighten if necessary.
- ▶ Clean drive controller from dirt and dust deposits. Pay attention especially to cooling fins and protective grid of the fans.
- ▶ Examine and clean extracted air filter and cooling air filter of the control cabinet.
- ▶ Check the function of the fans of the drive controller. The fan must be replaced in case of audible vibrations or squeak.
- ▶ In the case of liquid-cooled drive controllers a visual test of the cooling circuit for leaks and corrosion must be carried out. The cooling circuit must be completely empty if a unit shall be switched off for a longer period. The cooling circuit must be blown out additionally with compressed air at temperatures below 0°C.

1.7 Repair

In case of malfunction, unusual noises or smells inform a person in charge!

⚠ DANGER



Unauthorized exchange, repair and modifications!

Unpredictable malfunctions!

- ▶ The function of the drive controller is dependent on its parameterization. Never replace without knowledge of the application.
- ▶ Modification or repair is permitted only by KEB Automation KG authorized personnel.
- ▶ Only use original manufacturer parts.
- ▶ Infringement will annul the liability for resulting consequences.

In case of failure, please contact the machine manufacturer. Only the machine manufacturer knows the parameterisation of the used drive controller and can provide an appropriate replacement or induce the maintenance.

1.8 Disposal

Electronic devices of the KEB Automation KG are exclusively professional devices for further industrial processing (so-called B2B devices).

Manufacturers of B2B devices are obliged to take back and recycle devices manufactured after 14.08.2018. These devices may not be disposed at the collection centres of public sector disposal organisations.



If no deviating agreement has been made between the customer and KEB or no deviating mandatory legal regulation exists, KEB products marked in this way can be returned. Company and keyword to the return point can be taken from the list below. Shipping costs are paid by the customer. Thereupon the devices will be professionally recycled and disposed.

The entry numbers are listed country-specific in the following table. The corresponding KEB return addresses can be found on our website.

Withdrawal by	WEEE-Reg.-No.	Keyword
Austria		
KEB Automation GmbH	ERA: 51976	Stichwort „Rücknahme WEEE“
France		
RÉCYLUM - Recycle point	ADEME: FR021806	Mots clés „KEB DEEE“
Germany		
KEB Automation KG	EAR: DE12653519	Stichwort „Rücknahme WEEE“
Italy		
COBAT	AEE: (IT) 19030000011216	Parola chiave „Ritiro RAEE“
Spain		
KEB Automation KG	RII-AEE 7427	Palabra clave „Retirada RAEE“
Česko		
KEB Automation KG	RETELA 09281/20 ECZ	Klíčové slovo: Zpětný odběr OEEZ
Slowakei		
KEB Automation KG	ASEKOL: RV22EEZ0000421	Klíčové slovo: "Spätný odber OEEZ"

The packaging must be feed to paper and cardboard recycling.

2 Product description

The drive controller series COMBIVERT S6 is optimised for the operation at synchronous and asynchronous motors. The integrated safety function STO has been developed for the use in safety-oriented applications.

The COMBIVERT meets the requirements of the Low-Voltage Directive. Die harmonisierten Normen der Reihe [EN 61800-5-1](#) für Antriebsstromrichter werden angewendet.

Der COMBIVERT ist ein Produkt mit eingeschränkter Erhältlichkeit nach [EN 61800-3](#). This product may cause radio interference in residential areas. In this case the operator may need to take corresponding measures.

The machine directive, EMC directive, Low Voltage Directive and other guidelines and regulations must be observed depending on the version.

2.1 Specified application

The COMBIVERT serves exclusively for the control and regulation of three-phase motors. It is intended for the installation into electrical systems or machines.

Technical data and information for connection conditions shall be taken from the type plate and from the instruction manual and must be strictly observed.

The used semiconductors and components of the KEB Automation KG are developed and dimensioned for the use in industrial products.

Restriction

If the product is used in machines, which work under exceptional conditions or if essential functions, life-supporting measures or an extraordinary safety step must be fulfilled, the necessary reliability and security must be ensured by the machine builder.

2.1.1 Residual risks

Despite intended use, the drive controller can reach unexpected operating conditions in case of error, with wrong parameterisation, by faulty connection or unprofessional interventions and repairs. This can be:

- wrong direction of rotation
- motor speed too high
- motor is running into limitation
- motor can be under voltage even in standstill
- automatic start

2.2 Unintended use

The operation of other electric consumers is prohibited and can lead to the destruction of the devices. The operation of our products outside the indicated limit values of the technical data leads to the loss of any liability claims.

2.3 Product features

This instruction manual describes the power circuits of the following devices:

Device type:	Drive controller
Series:	COMBIVERT S6
Power range:	4...7.5 kW / 400 V
Housing:	4

The COMBIVERT S6 is characterised by the following features:

- For asynchronous, synchronous, IPM or synchronous reluctance motors
- With encoder or encoderless SCL and ASCL for accurate speed control
- Motor temperature monitoring PTC, KTY or PT1000
- Two-channel multi-encoder interface
- Integrated braking transistor
- Integrated brake control
- Integrated safety functionality
- Basic function STO in the compact version
- Additional high level safety in the application version
- Real-time Ethernet interfaces
- Following fieldbus systems are supported directly at S6:
CAN, VARAN
- RS232/485 for diagnosis or display
- Book format for space-saving control cabinet construction
- Direct mains connection for 230 V and 400 V mains, alternatively also DC input 260...750 V
- Low leakage current mains filter (<5 mA) integrated, optional without filter
- High overload for best dynamics
- Supports existing machine concepts with 8 digital and 2 analog inputs, 2 digital outputs + 1 relay and 1 analog output 0...10 V




Due to the wide voltage range, the 3-phase 400V devices can also be operated at 230V applications => „5.4 UL Marking“.

2.4 Type code

xx		S6		x		x		x-x		x		x		x	
Reserved													0: Reserved		
Reserved													0: Reserved		
Type of control													COMPACT		
													1: Multi Encoder Interface, EtherCAT ¹⁾		
													2: Multi Encoder Interface, VARAN		
													APPLICATION		
													1: Realtime Ethernet Modul, Multi Encoder Interface		
													B: Multi Encoder Interface, CAN®, Realtime Ethernet Module, alternative terminal strip		
Version power unit													PRO		
													3: Multi encoder interface, RS485 potential-free, Ethernet (no node switch)		
													4: no encoder, Ethernet fieldbus interface, safe relay		
													5: Multi encoder interface, Ethernet fieldbus interface, safe relay		
													4: AC 230V 1-phase without HF filter ²⁾		
Housing													2, 4		
Safety module													1: Type 1 for Strg A (STO/SBC) or STO for Strg K		
													3: Type 3 for Strg A (STO/SBC/SLS etc.)		
													5: Type 5 STO / SLS / etc. FSOE		
Control type													A: APPLICATION		
													K: COMPACT		
													P: PRO		
Series													COMBIVERT S6		
Device size													07...14 ³⁾		

Table 1: Type code

¹⁾  EtherCAT® is a registered trademark and patented technology licensed by the company Beckhoff Automation GmbH, Germany.

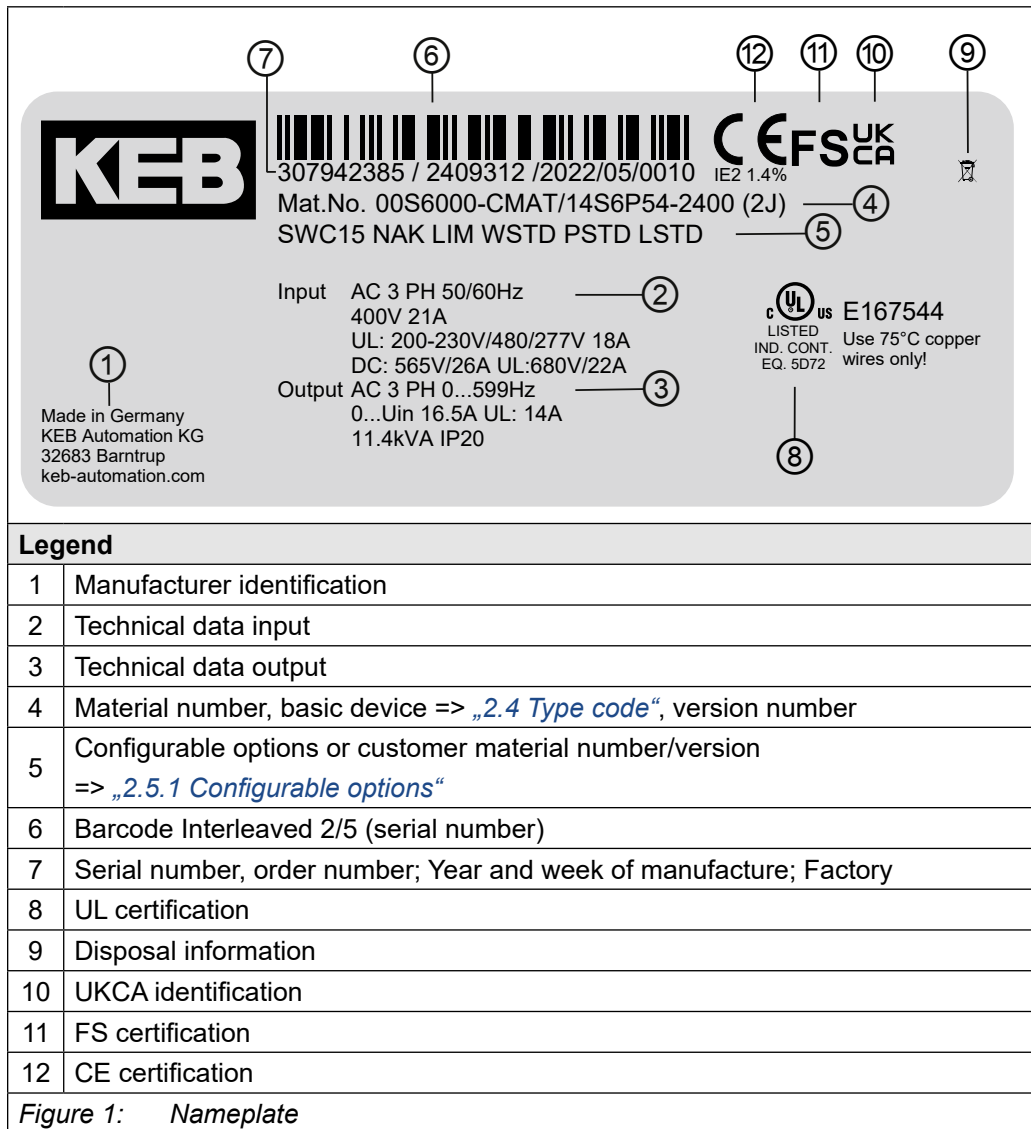
²⁾ An external filter is required for this devices in order to comply with the limit values according to EN 61800-3.

³⁾ Device size 14 is only available in the version without integrated HF filter.



The type code is not used as order code, but only for identification!

2.5 Nameplate



2.5.1 Configurable options

Features	Feature values	Description
Software	SWxxx ¹⁾	Software version of the drive controller
Accessories	Axxx ¹⁾	Selected accessories
	NAK	No accessories
Clearing output frequency	LIM	Limitation to 599 Hz
	ULO	> 599 Hz available
Warranty	WSTD	Warranty - standard
	Wxxx ¹⁾	Warranty extension
Parameterisation	PSTD	Parameterisation - standard
	Pxxx ¹⁾	Parameterisation - customer-specific
Nameplate logo	LSTD	Logo - standard
	Lxxx ¹⁾	Logo - customer-specific

Table 2: Configurable options

¹⁾ "x" stands for a variable value.

3 Technical data

Unless otherwise indicated, all electrical data in the following chapter refer to a 3-phase AC mains.

3.1 Operating conditions

3.1.1 Climatic environmental conditions

Storage	Standard	Class	Descriptions
Ambient temperature	EN 60721-3-1	1K4	-25...55 °C
Relative humidity	EN 60721-3-1	1K3	5...95 % (without condensation)
Storage height	–	–	Max. 3000 m above sea level
Transport	Standard	Class	Descriptions
Ambient temperature	EN 60721-3-2	2K3	-25...70 °C
Relative humidity	EN 60721-3-2	2K3	95 % at 40 °C (without condensation)
Operation	Standard	Class	Descriptions
Ambient temperature	EN 60721-3-3	3K3	5...40 °C (extended to -10...45 °C)
Coolant inlet temperature	–	–	5...40 °C (-10...45 °C)
Relative humidity	EN 60721-3-3	3K3	5...85 % (without condensation)
Version and degree of protection	EN 60529	IP20	Protection against foreign material > ø12.5 mm No protection against water Non-conductive pollution, occasional condensation when PDS is out of service.
Site altitude	–	–	Max. 2000 m above sea level <ul style="list-style-type: none"> • With site altitudes over 1000 m a derating of 1 % per 100 m must be taken into consideration. • With site altitudes over 2000 m, the control board to the mains has only basic isolation. Additional measures must be taken when wiring the control.

Table 3: Climatic environmental conditions

3.1.2 Mechanical environmental conditions

Storage		Standard	Class	Descriptions
Vibration limits		EN 60721-3-1	1M2	Vibration amplitude 1.5 mm (2...9 Hz) Acceleration amplitude 5 m/s ² (9...200 Hz)
Shock limit values		EN 60721-3-1	1M2	40 m/s ² ; 22 ms
Transport		Standard	Class	Descriptions
Vibration limits		EN 60721-3-2	2M1	Vibration amplitude 3.5 mm (2...9 Hz) Acceleration amplitude 10 m/s ² (9...200 Hz) (Acceleration amplitude 15 m/s ² (200...500 Hz)) ¹⁾
Shock limit values		EN 60721-3-2	2M1	100 m/s ² ; 11 ms
Operation		Standard	Class	Descriptions
Vibration limits		EN 60721-3-3	3M4	Vibration amplitude 3.0 mm (2...9 Hz) Acceleration amplitude 10 m/s ² (9...200 Hz)
		EN 61800-5-1	–	Vibration amplitude 0.075 mm (10...57 Hz) Acceleration amplitude 10 m/s ² (57...150 Hz)
Shock limit values		EN 60721-3-3	3M4	100 m/s ² ; 11 ms

Table 4: Mechanical environmental conditions

¹⁾ Not tested.

3.1.3 Chemical / mechanical active substances

Storage		Standard	Class	Descriptions
Contamination	Gases	EN 60721-3-1	1C2	–
	Solids		1S2	–
Transport		Standard	Class	Descriptions
Contamination	Gases	EN 60721-3-2	2C2	–
	Solids		2S2	–
Operation		Standard	Class	Descriptions
Contamination	Gases	EN 60721-3-3	3C2	–
	Solids		3S2	–

Table 5: Chemical / mechanical active substances

3.1.4 Electrical operating conditions

3.1.4.1 Device classification

Requirement	Standard	Class	Descriptions
Overvoltage category	EN 61800-5-1	III	–
	EN 60664-1		–
Pollution degree	EN 60664-1	2	Non-conductive pollution, occasional condensation when PDS is out of service

Table 6: Device classification

3.1.4.2 Electromagnetic compatibility

An external filter is required for devices without an internal filter in order to comply with the following limits.

EMC emitted interference	Standard	Class	Descriptions
Conducted interference emissions	EN 61800-3	C2/C3	The specified value is only achieved in connection with a filter. Information on interference suppression (max. switching frequency, cable length) can be found in the corresponding filter instructions.
Radiated interferences	EN 61800-3	C2	–
Interference immunity	Standard	Level	Descriptions
Static discharges	EN 61000-4-2	8 kV	AD (air discharge)
		4 kV	CD (contact discharge)
Burst - Ports for process measurement control lines and signal interfaces	EN 61000-4-4	2 kV	–
Burst - Power ports	EN 61000-4-4	4 kV	–
Surge - Power ports	EN 61000-4-5	1 kV	Phase-phase
		2 kV	Phase-ground
Conducted immunity, induced by radio-frequency fields	EN 61000-4-6	10 V	0.15...80 MHz
Electromagnetic fields	EN 61000-4-3	10 V/m	80 MHz...1 GHz
		3 V/m	1.4...2 GHz
		1 V/m	2...2.7 GHz
Voltage fluctuations/ voltage dips	EN 61000-2-1 EN 61000-4-34	–	-15 %...+10 % 90 %
		–	≤ 2 %
Frequency changes	EN 61000-2-4	–	±10 %
Voltage unbalances	EN 61000-2-4	–	≤ 3 %

Table 7: Electromagnetic compatibility

3.2 Dimensions and weights

3.2.1 Built-in version

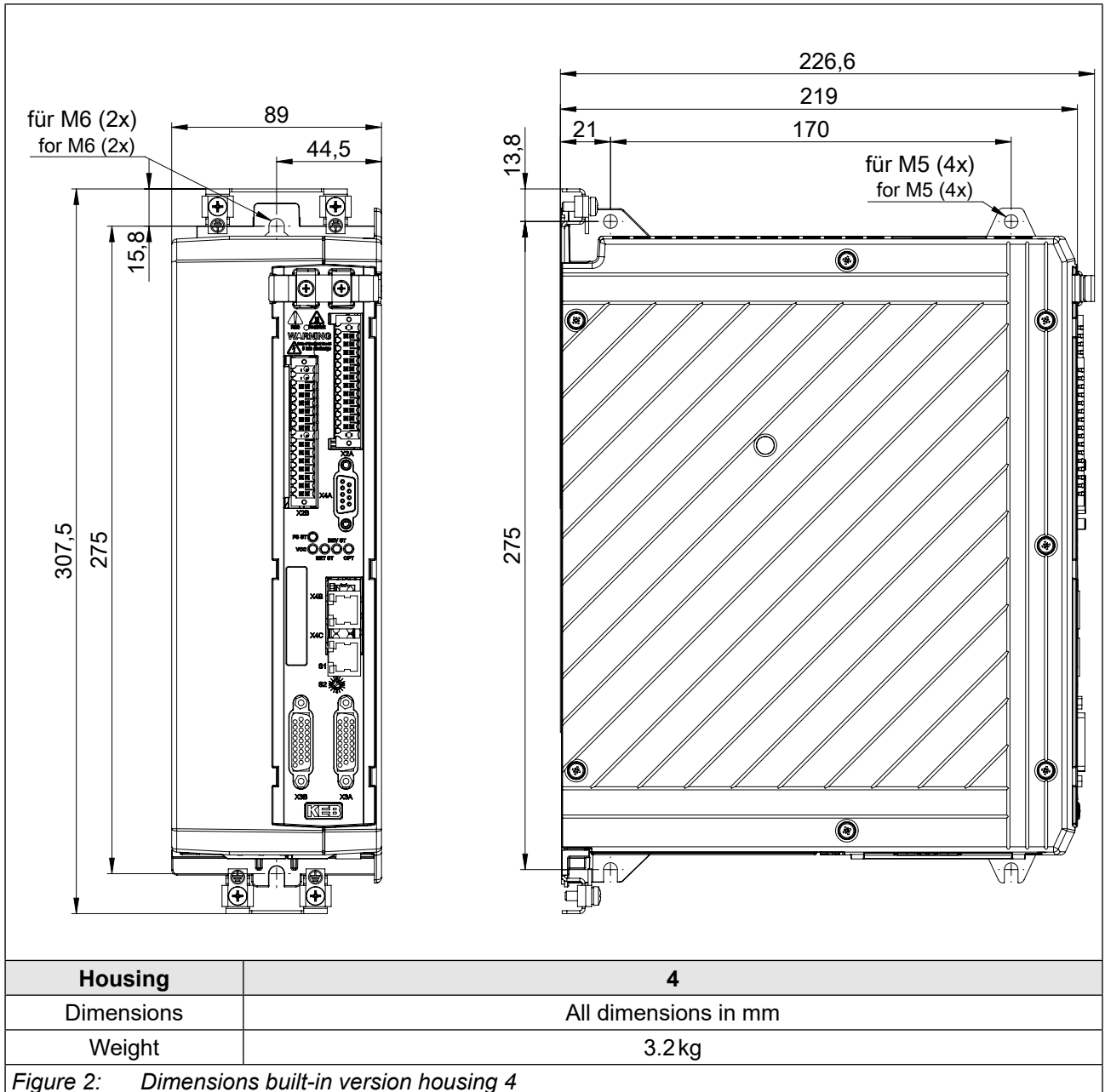
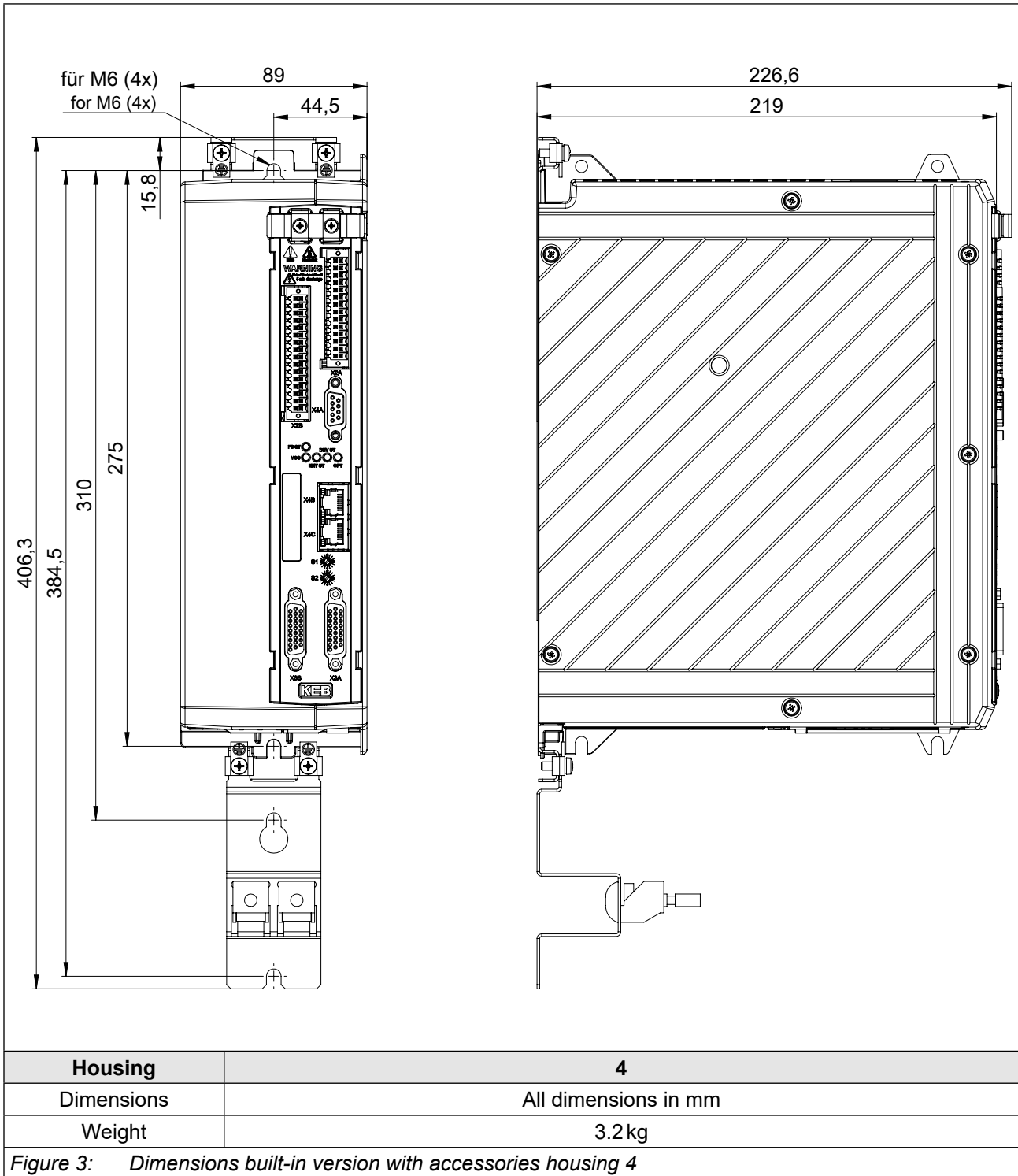


Figure 2: Dimensions built-in version housing 4

3.2.2 Built-in version with accessories



3.2.3 Control cabinet installation

Power dissipation for the control cabinet dimension => „3.4.6 Power dissipation at rated operation“. A lower value can be used here depending on the operating mode/load.



Installation of the drive controller

For reliable operation, the drive controller must be installed without clearance on a smooth, closed, bare metal mounting plate.

Mounting distances	Dimension	Distance in mm	Distance in inch
	A	150	6
	B	100	4
	C	30	1,2
	D	0	0
	E	0	0
	F ¹⁾	50	2
	¹⁾ Distance to preceding elements in the control cabinet door.		

Figure 4: Mounting distances

If construction-conditioned the control cabinet cannot be without indoor ventilation, appropriate filters must avoid suction of foreign objects.

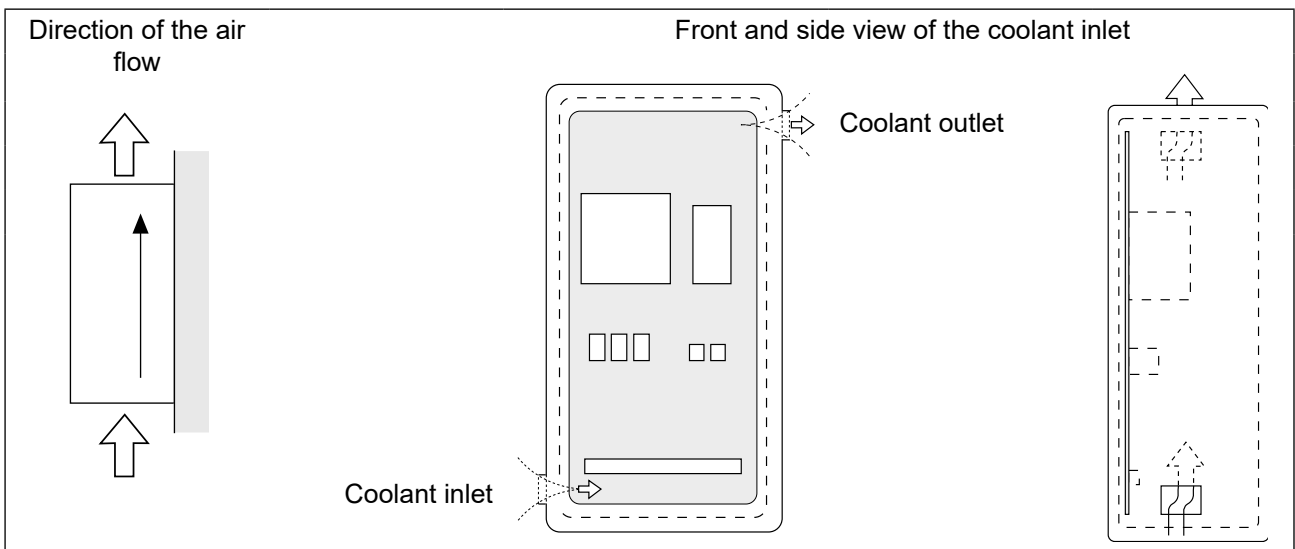


Figure 5: Control cabinet ventilation

3.3 Mounting instructions for control cabinet installation

For mounting the drive controllers, the following fastening materials with the corresponding quality were tested by KEB.

Required material	Tightening torque
Screw assembly ISO 7045 - M6 - 8.8	3.2 Nm 29 lb inch
<i>Table 8: Mounting instructions for control cabinet installation</i>	

NOTICE

Use of other fastening material!

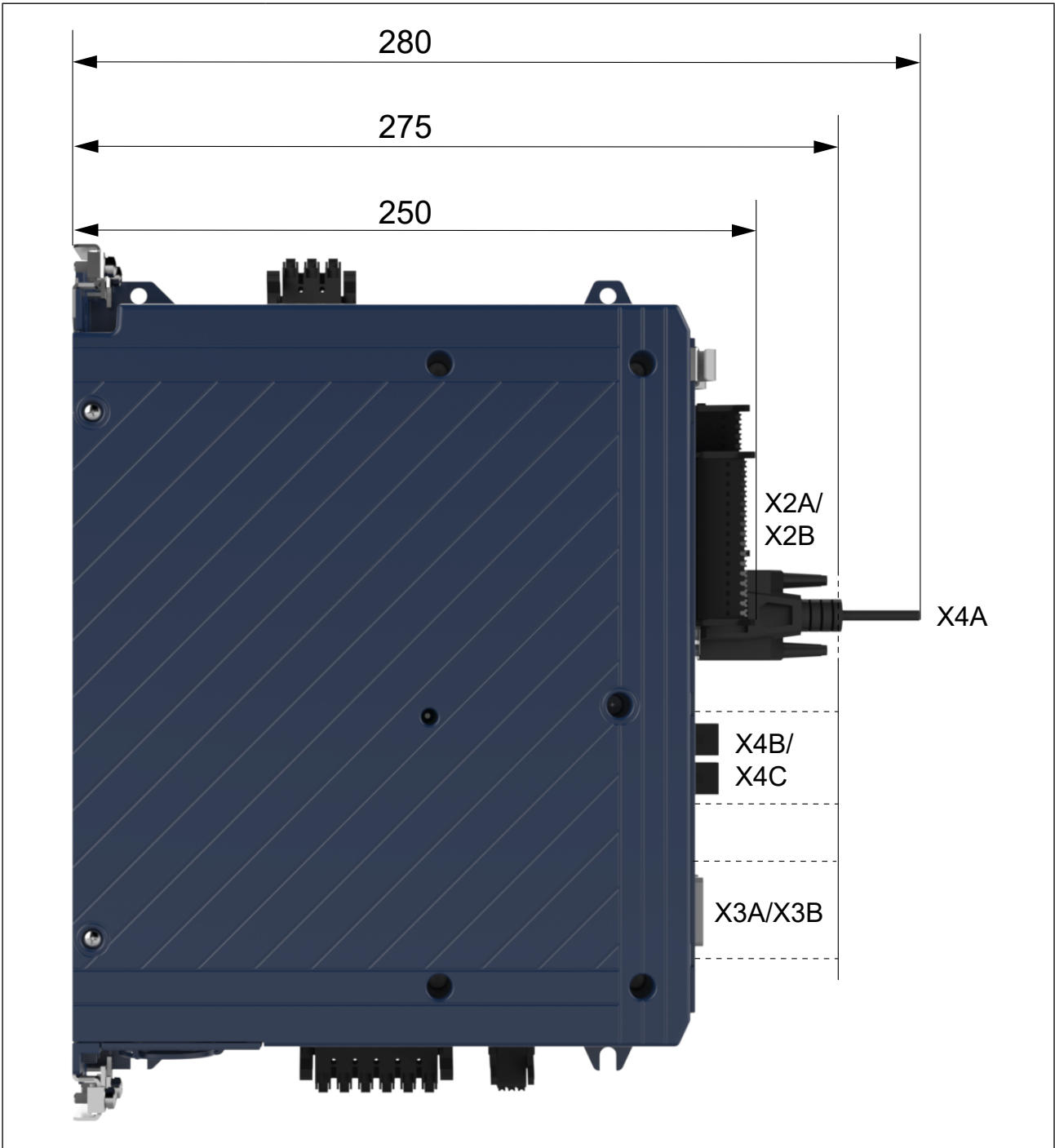
- ▶ The alternatively selected fastening material must comply with the above-mentioned material characteristics (quality) and tightening torques.
- ▶ The use of other fixing materials is beyond KEB's control and is therefore the sole responsibility of the customer.

3.3.1 Installation depth



For the various connections, it is recommended to keep the specified distance to upstream components.

The values given are approximate values. The actual installation depth must be checked individually by the user.



Housing	4
Dimensions	All dimensions in mm

Figure 6: Installation depth

3.4 Device data

3.4.1 Overview

The technical data are for 2/4-pole standard motors. With other pole numbers the drive controller must be dimensioned onto the rated motor current. Contact KEB for special or medium frequency motors.

Device size		12	13	14
Housing		4		
Rated apparent output power	S_{out} / kVA	6,6	8,3	11,4
Max. rated motor power	P_{mot} / kW	4,0	5,5	7,5
Rated output current	I_N / A	9,5	12	16,5
Output voltage	U_{out} / V	0... U_{in} or 0... $U_{in_dc}/\sqrt{2}$		
Output phases		3		
Output frequency	¹⁾ f_{out} / Hz	0...599		
Rated output overload (60 s)	²⁾ I_{60s} / %	200		150
Rated output overload (3 s)	²⁾ I_{3s} / %	250		180
Overcurrent	²⁾ I_{OC} / %	300		216
Rated switching frequency	f_{SN} / kHz	8		4
Rated input current	I_{in} / A	13	17	21
Rated input voltage	U_N / V	400		
Rated input voltage UL	U_{N_UL} / V	480		
Input voltage range	U_{in} / V	184...550		
Input voltage range DC supply	U_{in_dc} / V	260...750		
Mains phases		3		
Mains frequency	f_N / Hz	50/60		
Maximum current 0 Hz/50 Hz at $f_s = 8$ kHz	I_{out_max} / %	189/300	183/300	109/216
Insulation resistance @ $U_{dc} = 500$ V	R_{iso} / M Ω	16,67		
DC link capacity	C / μ F	470	560	680

Table 9: Overview device data

¹⁾ The output frequency is to be limited in such a way that it does not exceed 1/10 of the switching frequency. Devices with higher max. output frequency are subject to export restrictions and are only available upon request.

²⁾ The values refer in % to the rated output current I_N .

3.4.2 Rated operation

All rated values refer to a rated operation at $U_N = 400$ V, rated switching frequency f_{SN} and an output frequency $f_{out} = 50$ Hz.

3.4.3 Voltage and frequency data

Input voltage and frequencies		
Rated input voltage	U_N / V	400
Rated input voltage UL	U_{N_UL} / V	480
Input voltage range	U_{in} / V	184...550
Mains phases		3
Mains frequency	f_N / Hz	50 / 60
Mains frequency tolerance	$\pm f_N / Hz$	± 2

Table 10: Input voltage and frequencies

Input voltage for DC operation		
Rated input voltage DC	U_{N_dc} / V	565
Rated input voltage DC UL	$U_{N_dc_UL} / V$	680
Input voltage range DC supply	U_{in_dc} / V	260...750 ± 0

Table 11: Input voltage for DC operation

Output voltage and frequencies		
Output voltage at AC supply	¹⁾ U_{out} / V	$3 \times 0 \dots U_{in}$
Output voltage at DC supply	¹⁾ U_{out_dc} / V	$3 \times 0 \dots U_{in_dc} / \sqrt{2}$
Output frequency	²⁾ f_{out} / Hz	0...599

Table 12: Output voltage and frequencies

- ¹⁾ The voltage to the motor is dependent on the actual input voltage and the control method (=> „3.4.3.1 Example for the calculation of the motor voltage“).
- ²⁾ The output frequency is to be limited in such a way that it does not exceed 1/10 of the switching frequency. Devices with higher max. output frequency are subject to export restrictions and are only available upon request.

DC switching level		
DC switch-off level "Error! Underpotential"	U_{UP_dc} / V	200
DC switching level braking transistor	¹⁾ U_{B_dc} / V	780
DC switch-off level "Error! Overpotential"	U_{OP_dc} / V	840

Table 13: DC switching level

- ¹⁾ The DC switching level for the braking transistor is adjustable. The default value is the value specified in the table.

3.4.3.1 Example for the calculation of the motor voltage

The motor voltage for dimensioning of the drive is depending on the used components. The mains voltage reduces according to the following table:

Components	Reduction / %	Example
Mains choke U_k	4	Closed-loop drive controller with mains and motor choke at non-rigid supply system: 400 V mains voltage - 15 % = 340 V motor voltage
Drive controller open-loop	4	
Drive controller closed-loop	8	
Motor choke U_k	1	
Non-rigid supply system	2	

Table 14: Example for the calculation of the motor voltage

3.4.4 Input and output currents / overload

Device size		12	13	14
Rated input current @ $U_N = 400\text{V}$	I_{in} / A	13	17	21
Rated input current UL @ $U_{N_UL} = 480\text{V}$	I_{in_UL} / A	10,6	15,3	18
Rated input current DC @ $U_{N_dc} = 565\text{V}$	¹⁾ I_{in_dc} / A	16	20	26
Rated input current DC UL @ $U_{N_UL_dc} = 680\text{V}$	¹⁾ $I_{in_dc_UL} / \text{A}$	13	19	22

Table 15: Input currents

¹⁾ The values resulting from rated operation with B6 rectifier circuit and mains choke 4% U_k .

Device size		12	13	14
Rated output current @ $U_N = 400\text{V}$	I_N / A	9,5	12	16,5
Rated output current UL @ $U_{N_UL} = 480\text{V}$	I_{N_UL} / A	7,6	11	14
Overload current (60 s)	¹⁾ $I_{60s} / \%$	200	200	150
Overload current (3 s)	¹⁾ $I_{3s} / \%$	250	250	180
Overcurrent	¹⁾ $I_{OC} / \%$	300	300	216

Table 16: Output currents

¹⁾ The values refer in % to the rated output current I_N .

3.4.5 Overview of rectifier data

Device size		12	13	14
Rectifier rated power	P_{rect} / kW	4,8	6,5	8,7
Rectifier continuous power	¹⁾²⁾ $P_{rect_cont} / \text{kW}$	8,7 (6,5)	8,7 (6,5)	8,7
Continuous input current @ $U_N = 400\text{V}$	¹⁾²⁾ I_{in_cont} / A	21 (17)	21 (17)	21
Continuous input current @ $U_{N_UL} = 480\text{V} / 277\text{V}$	¹⁾²⁾ $I_{in_UL_cont} / \text{A}$	18 (15)	18 (15)	18
Rated output current DC @ $U_{N_dc} = 565\text{V}$	I_{out_dc} / A	16	20	26
Continuous output current DC @ $U_{N_dc} = 565\text{V}$	¹⁾²⁾ $I_{out_dc_cont} / \text{A}$	26 (20)	26 (20)	26
Rated output current DC @ $U_{N_UL_dc} = 680\text{V}$	$I_{out_UL_dc} / \text{A}$	13	19	22
Continuous output current DC @ $U_{N_UL_dc} = 680\text{V}$	¹⁾²⁾ $I_{out_UL_dc_cont} / \text{A}$	22 (19)	22 (19)	22

Table 17: Overview of rectifier data

¹⁾ Continuous operation is a load beyond the rated operation. Continuous operation only occurs when the internal rectifier is used to supply additional drive converters via the DC terminals=> „4.2.6 DC-bus connection“. In continuous operation, the OH error may be triggered depending on the operating conditions of the internal inverter.

²⁾ For devices with internal RF filter, the values in brackets apply.

3.4.6 Power dissipation at rated operation

Device size		12	13	14
Rated switching frequency	f_{SN} / kHz	8	8	4
Power dissipation at rated operation	¹⁾ P_D / W	160	190	155
Power dissipation at rated operation	²⁾ $P_{D_{dc}}$ / W	150	180	135

Table 18: Power dissipation at rated operation

¹⁾ Rated operation corresponds to $U_N = 400\text{ V}$; f_{SN} ; I_N ; $f_N = 50\text{ Hz}$ (typically value).

²⁾ Rated operation DC corresponds to $U_{N_{dc}} = 565\text{ V}$; I_N .

3.5 General data

3.5.1 Overload characteristic (OL)

The OL overload function is a root mean square (RMS) function. The greater the jumps between the overload and underload phases, the greater the deviation of the RMS from the arithmetic mean. For extreme overloads (=> „Figure 7: Turn-off time depending on the overload (OL) device size 12 and 13“ and „Figure 8: Turn-off time depending on the overload (OL) device size 14“) the load is weighted more heavily. This means the RMS value is calculated with a factor of the overload, so that the overload protection function triggers even if the RMS value does not reach 100%.

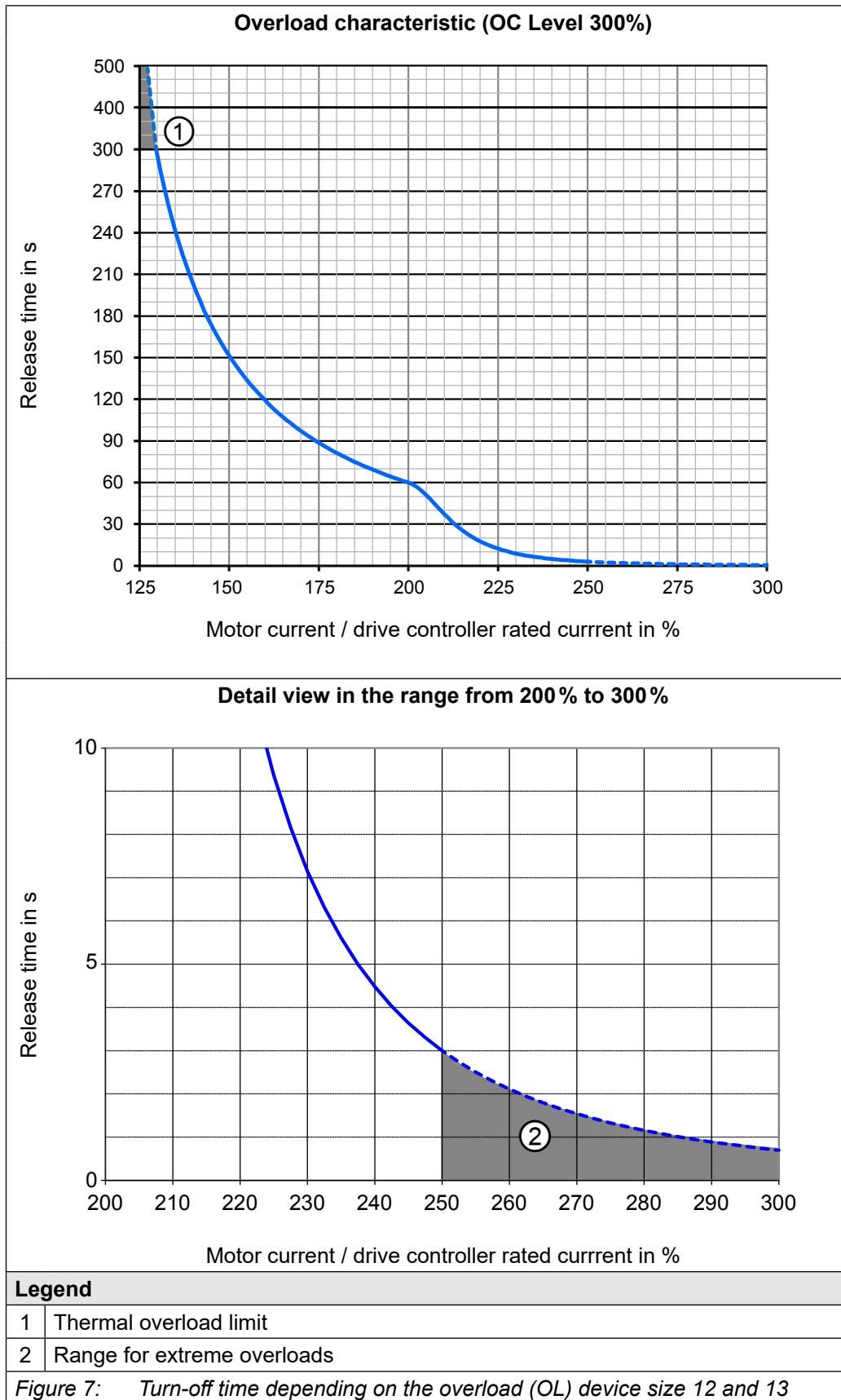
Restrictions:

- The thermal design of the heat sink is based on the rated current and the maximum permissible ambient temperature. At high ambient temperatures and/or high heat sink temperatures (for example, by preceding utilisation nearby 100%), the drive controller can change to overtemperature error before triggering the protective function OL.
- At low output frequencies or switching frequencies higher than the rated switching frequency, the maximum current ($I_{0\text{Hz}/16\text{Hz}}$) can be exceeded before and the error OL2 can be triggered (see also chapter "Maximum current (OL2)").

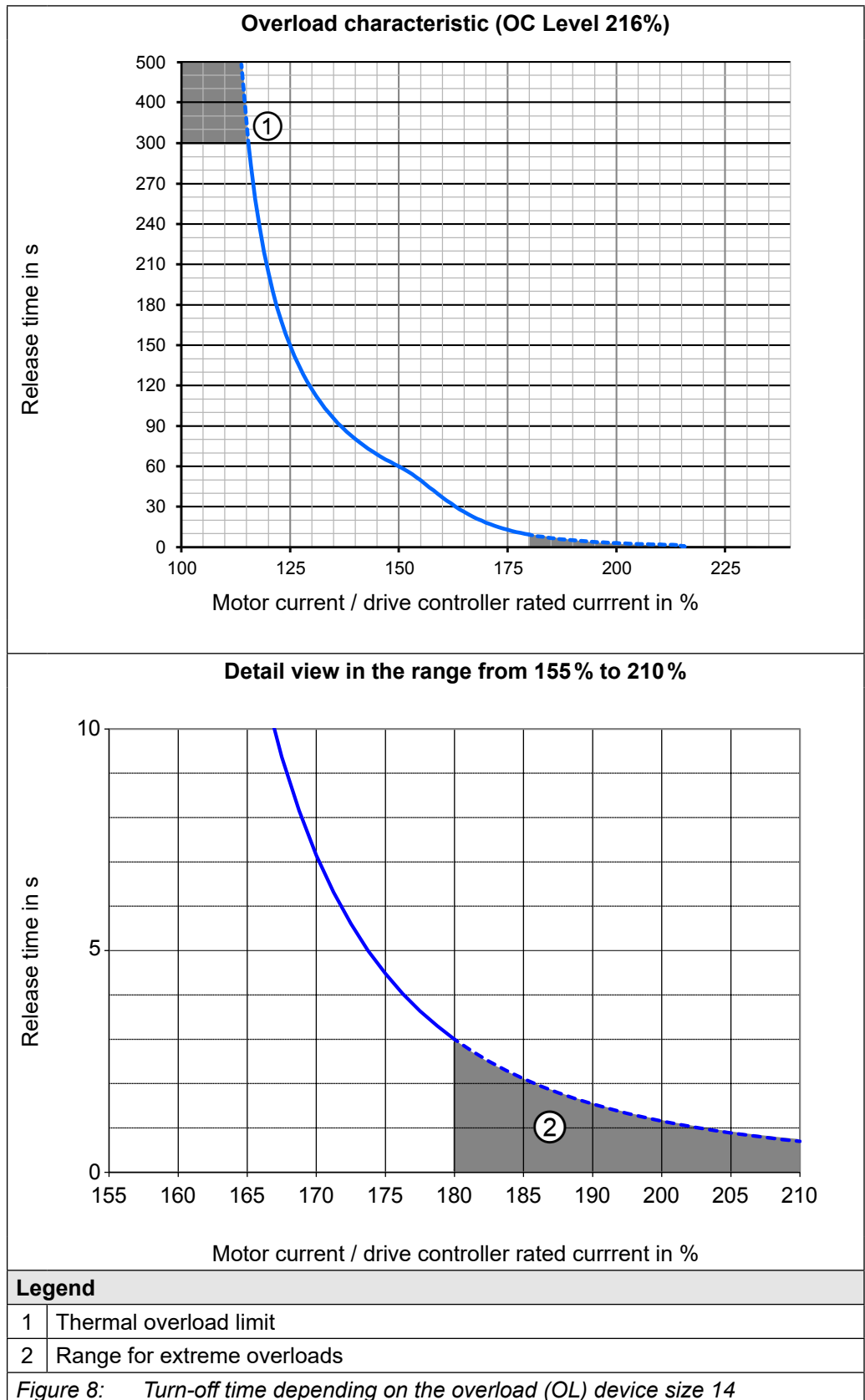
On exceeding a load of 105% the overload integrator starts. When falling below the integrator counts backwards. If the integrator achieves the overload characteristic, "Error! Overload" is triggered.

After a cooling period the message "no ERROR overload" is displayed. The error can be reset now. The drive controller must remain switched on during the cooling down phase.

3.5.1.1 Turn-off time depending on the overload at device size 12 and 13



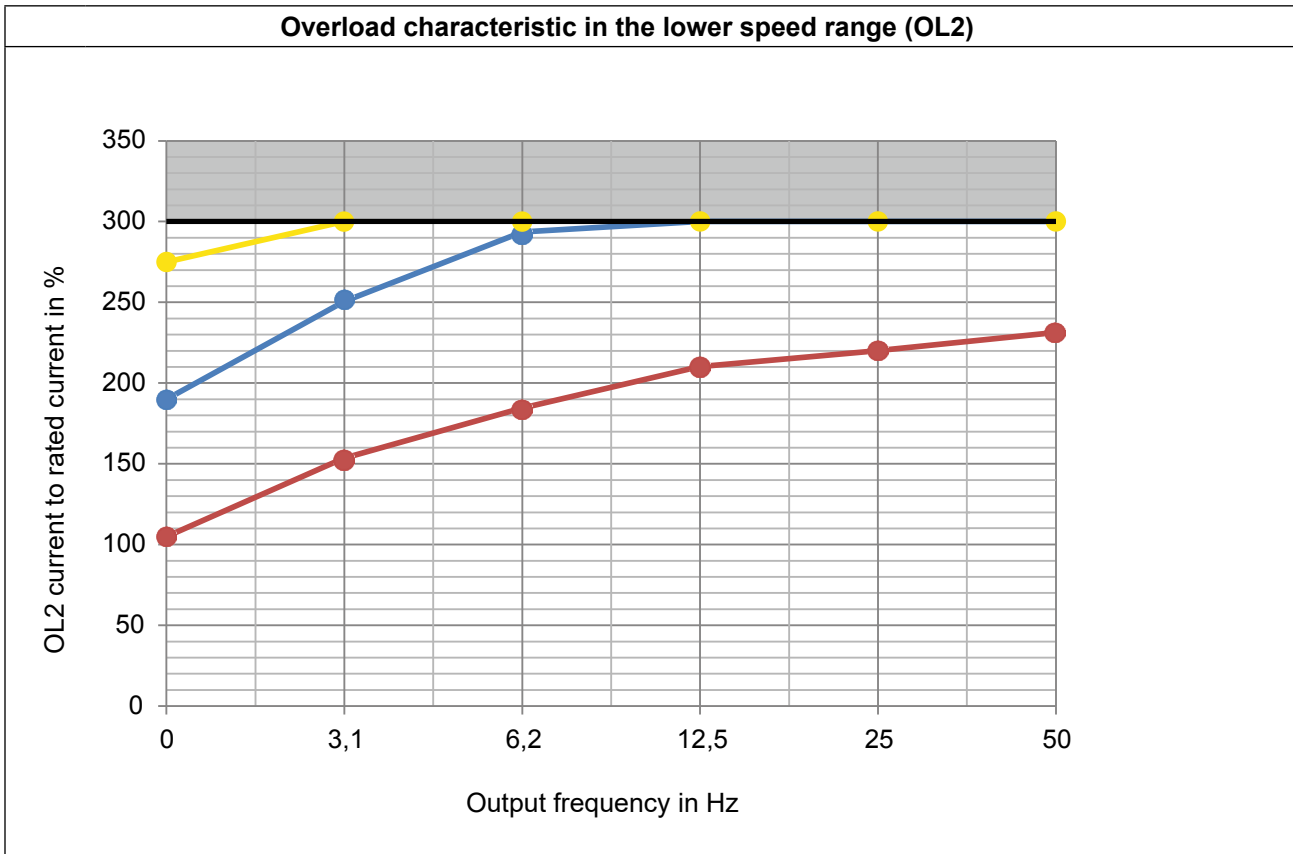
3.5.1.2 Turn-off time depending on the overload at device size 14



3.5.1.3 Maximum current (OL2)

It can be adjusted in the drive controller parameters if error (OL2) shall be triggered when exceeding the maximum currents, or if the switching frequency is automatically reduced (derating).

The following tables indicate the permissible maximum current for 6 output frequency values. In between there is a linear interpolation. Device size 12 is represented exemplary.



The characteristic curves represent the real maximum current values using the example of device size 12.

Legend

	Overcurrent <i>loc</i>
	Switching frequency 4 kHz
	Switching frequency 8 kHz
	Switching frequency 16 kHz
	Not available for modulation. The error OC is triggered at 300 % overload.

Figure 9: Overload characteristic in the lower speed range (OL2)



The frequency-dependent maximum current I_{out_max} refers in % to the rated output current I_N .

From the last specified output frequency value, the current remains constant.



The values for the respective device size are listed in the following tables.

Frequency-dependent maximum current

Device size		12					
Rated switching frequency		8 kHz					
Output frequency	f_{out} / Hz	0	3,1	6,2	12,5	25	50
Frequency-dependent maximum current @ f_s Basic Time Period = 62.5 μ s (Parameter is22=0)	4 kHz	273	300	300	300	300	300
	i_{out_max} / %	189	252	294	300	300	300
	8 kHz	105	157	189	210	221	231
Frequency-dependent maximum current @ f_s Basic Time Period = 71.4 μ s (Parameter is22=1)	7 kHz	211	282	300	300	300	300
	i_{out_max} / %	116	184	221	242	253	263
Frequency-dependent maximum current @ f_s Basic Time Period = 83.3 μ s (Parameter is22=2)	6 kHz	232	300	300	300	300	300
	i_{out_max} / %	126	211	253	274	284	295
Frequency-dependent maximum current @ f_s Basic Time Period = 100 μ s (Parameter is22=3)	5 kHz	253	300	300	300	300	300
	i_{out_max} / %	158	232	274	300	300	300
Table 19: Frequency-dependent maximum current for device size 12							

Device size		13					
Rated switching frequency		8 kHz					
Output frequency	f_{out} / Hz	0	3,1	6,2	12,5	25	50
Frequency-dependent maximum current @ f_s Basic Time Period = 62.5 μ s (Parameter is22=0)	4 kHz	283	300	300	300	300	300
	i_{out_max} / %	183	233	283	300	300	300
	8 kHz	116	150	175	200	216	225
Frequency-dependent maximum current @ f_s Basic Time Period = 71.4 μ s (Parameter is22=1)	7 kHz	208	265	300	300	300	300
	i_{out_max} / %	125	167	196	225	246	254
Frequency-dependent maximum current @ f_s Basic Time Period = 83.3 μ s (Parameter is22=2)	6 kHz	233	296	300	300	300	300
	i_{out_max} / %	133	183	217	250	275	283
Frequency-dependent maximum current @ f_s Basic Time Period = 100 μ s (Parameter is22=3)	5 kHz	258	300	300	300	300	300
	i_{out_max} / %	158	208	250	288	300	300
Table 20: Frequency-dependent maximum current for device size 13							

Device size		14					
Rated switching frequency		4 kHz					
Output frequency	f_{out} / Hz	0	3,1	6,2	12,5	25	50
Frequency-dependent maximum current @ f_s Basic Time Period = 62.5 μ s (Parameter is22=0)	4 kHz	170	216	216	216	216	216
	i_{out_max} / %	109	169	206	216	216	216
	8 kHz	60	103	127	145	151	157
Frequency-dependent maximum current @ f_s Basic Time Period = 71.4 μ s (Parameter is22=1)	7 kHz	124	192	216	216	216	216
	i_{out_max} / %	73	121	142	164	179	185
Frequency-dependent maximum current @ f_s Basic Time Period = 83.3 μ s (Parameter is22=2)	6 kHz	139	215	216	216	216	216
	i_{out_max} / %	85	133	158	182	200	206
Frequency-dependent maximum current @ f_s Basic Time Period = 100 μ s (Parameter is22=3)	5 kHz	155	216	216	216	216	216
	i_{out_max} / %	97	152	182	209	216	216
Table 21: Frequency-dependent maximum current for device size 14							

3.5.2 Switching frequency and temperature

The drive controller cooling is designed by way that the heat sink overtemperature threshold is not exceeded at rated conditions. A switching frequency higher than the rated switching frequency also produces higher losses and thus a higher heat sink heating.

If the heat sink temperature reaches a critical threshold (T_{dr}) the switching frequency can be reduced automatically step by step, in order to prevent that the drive controller switches off due to overheating of the heat sink. If the heat sink temperature falls below T_{ur} , the switching frequency is increased to the setpoint again. At temperature T_{em} the switching frequency is immediately reduced to rated switching frequency. "Derating" must be activated, for this function to work.

Device size		12	13	14
Rated switching frequency	¹⁾ f_{SN} / kHz	8	8	4
Max. switching frequency	¹⁾ f_{S_max} / kHz	16	16	16
Max. heat sink temperature	T_{HS} / °C	90		80
Temperature for derating the switching frequency	²⁾ T_{dr} / °C	80		70
Temperature for uprating the switching frequency	²⁾ T_{ur} / °C	70		50
Temperature for switching to rated switching frequency	²⁾ T_{em} / °C	85		75

Table 22: Switching frequency and temperature

- ¹⁾ The output frequency is to be limited in such a way that it does not exceed 1/10 of the switching frequency.
- ²⁾ On reaching the temperature T_{dr} the switching frequency is step down. The switching frequency is increased again on cooling down to temperature T_{ur} . If derating is not requested in individual cases, the function can be deactivated via software.

3.5.3 Fusing of the drive controllers

At 230V operation, 3-phase					
Device size	Fuse in A			Alternatively	
	$U_N = 230\text{ V}$ gG (IEC)	$U_N = 200\text{-}230\text{ V}$ class „CC“ (UL)	$U_N = 200\text{-}230\text{ V}$ class "CC" or "J" (UL)	Motor protection switch	
	SCCR 30 kA	SCCR 30 kA	SCCR 5 kA	Eaton PKZM0 32-E (UL)	
	SCCR 5 kA				
12	16	15	15	200V, 7.5 HP	
13	20	20	20	230V, 10 HP	
14	25	25	25	—	
At 400V operation, 3-phase					
Device size	Fuse in A			Alternatively	Alternatively
	$U_N = 400\text{ V}$ gG (IEC)	$U_N = 480\text{ V}$ class "CC" (UL)	$U_N = 480\text{ V}$ class "CC" or "J" (UL)	Motor protection switch	Circuit breaker
	SCCR 30 kA	SCCR 30 kA	SCCR 5 kA	Eaton	Siemens
	SCCR 5 kA				
12	16	15	15	PKZM0 32-E (UL)	5SJ4320-7HG42
13	20	20	20		
14	25	25	25	—	—

Table 23: Fusing of the drive controllers



Short-circuit capacity

According to requirements from *EN 60439-1* and *EN 61800-5-1*, the following applies to connection to a network: The devices are suitable for use in a circuit capable of delivering not more than 30 kA eff. unaffected symmetrical short-circuit current.

3.5.3.1 Protection of 400 V devices with DC supply

Device size	Recommended fuse size / A		Permissible fuses ¹⁾
	$U_{N_dc} = 565V$	$U_{N_UL_dc} = 680V$	
	SCCR 30 kA	SCCR 30 kA	
12	25	20	SIBA 50 215 06.20 SIBA 50 204 34.25 SIBA 50 118 06.30
13	32	32	SIBA 50 120 06.32 SIBA 20 201 06.63 SIBA 20 250 06.63
14	40	35	SIBA 20 280 06.63 SIBA 20 268 06.63 SIBA 20 209 37.63 ²⁾ Bussmann FWP-50A14F Bussmann FWP-63A22F Bussmann 170M1415 Littelfuse L70QS100

Table 24: Protection of drive converters with DC supply

¹⁾ Fuses of the same type with lower rated currents can be used if they are suitable for the application.

²⁾ Fuse without UL certification.

NOTICE

Observe the rated voltage of the fuse!

- The rated voltage of the fuse must be at least equal to the maximum DC supply voltage of the drive converter.

3.5.3.2 Motor protective circuit-breaker / circuit breaker

This chapter lists the recommended and alternative motor protection switches/circuit breakers for protecting the drive controller. The selection of the recommended protection switches is based on continuous operation (S1 operation) at 100% load and maximum ambient temperature. If operating conditions differ, the circuit breakers must be dimensioned accordingly (see manufacturer's documentation for the respective circuit breakers).

Device size	Recommended motor-protective circuit-breakers / circuit-breakers						
	IEC ($U_N = 400V$)			UL ($U_{N_UL} = 480V$)			
	Type	Rated current / A	SCCR @ U_N / kA	Type	Rated current / A	Rated power / hp	SCCR @ U_{N_UL} / kA
12	Eaton PKZM0-16	16	30	Eaton PKZM0-12	12	7,5	30
13	Eaton PKZM0-20	20	18	Eaton PKZM0-16	16	10	30
14	Eaton PKZM0-25	25	18	Eaton PKZM0-25	25	15	18

Table 25: Recommended motor protective circuit-breakers / circuit breakers for 400 V / 480 V appliances

As an alternative to the recommended motor protection switches/circuit breakers, all circuit breakers listed in the following table may be used. Circuit breakers of the same type with a lower rated current or other features (e.g., connection terminals, actuation types, etc.) may also be used, provided that they are suitable for the application and the differing features do not have a negative effect on the pass values (I^2t and I_p). Circuit breakers of the same type with lower breaking capacity may be used provided they are suitable for the application. In this case, the short-circuit current rating (SCCR) of the combination of drive controller and circuit breaker is reduced to the breaking capacity of the circuit breaker.

Some motor circuit breakers require additional accessories in order to be used as Type E Combination Motor Controllers in UL-certified installations (see manufacturer's documentation for the respective circuit breaker).

Alternative motor-protective circuit-breaker / circuit-breaker			
Type	Rated current / A	Rated power / hp	SCCR / kA
Eaton PKZM0-16	16	10	30
Eaton PKZM0-25	25	15	18
Eaton PKZM0-32 ¹⁾	32	20	5
Siemens 3RV2011-4AA10	16	10	30
Siemens 3RV2021-4DA10	25	20	30
Schneider GV2P21	23	15	10
Siemens 5SJ4320-7HG42 ¹⁾	20	—	5

Table 26: Alternative motor protective circuit-breakers / circuit breaker for 400 V / 480 V appliances

¹⁾ Only suitable for 12S6 and 13S6.



IEC only:

Motor-protective circuit-breakers / circuit-breakers not listed here can be used provided they fulfil the following requirements:

- Passing integral I^2t @ $U_N < 81 \text{ kA}^2\text{s}$
- Throughput current I_p @ $U_N < 9,3 \text{ kA}$

3.5.4 DC link / braking transistor function

Device size		12	13	14
DC link rated voltage @ $U_N = 400\text{V}$	U_{N_dc} / V	565		
DC link rated voltage @ $U_N = 480\text{V}$	$U_{N_dc_UL} / \text{V}$	680		
DC link voltage working voltage range	U_{in_dc} / V	260...750 ± 0		
DC switch-off level "Error! Underpotential"	U_{UP_dc} / V	200		
DC switch-off level "Error! Overpotential"	U_{OP_dc} / V	840		
DC switching level braking transistor	¹⁾ U_{B_dc} / V	780		
Max. braking current	I_{B_max} / A	28	34	34
Min. braking resistor value	R_{B_min} / Ω	33	25	25
DC link capacity	$C / \mu\text{F}$	470	560	680
Protective function for braking transistor	²⁾	—		
Min. internal precharge resistance	R_{pc_int} / Ω	58		
Max. precharge current	I_{pc_max} / A	137		
<i>Table 27: DC link / braking transistor function</i>				

¹⁾ The DC switching level for the braking transistor is adjustable. The default value is the value specified in the table.

²⁾ No protective function => „4.2.8.2 Use of intrinsically safe braking resistors“.

3.5.5 DC link / braking transistor function

NOTICE

Falling below the minimum braking resistor value!

Destruction of the drive controller

► The minimum brake resistance value must not fall below!

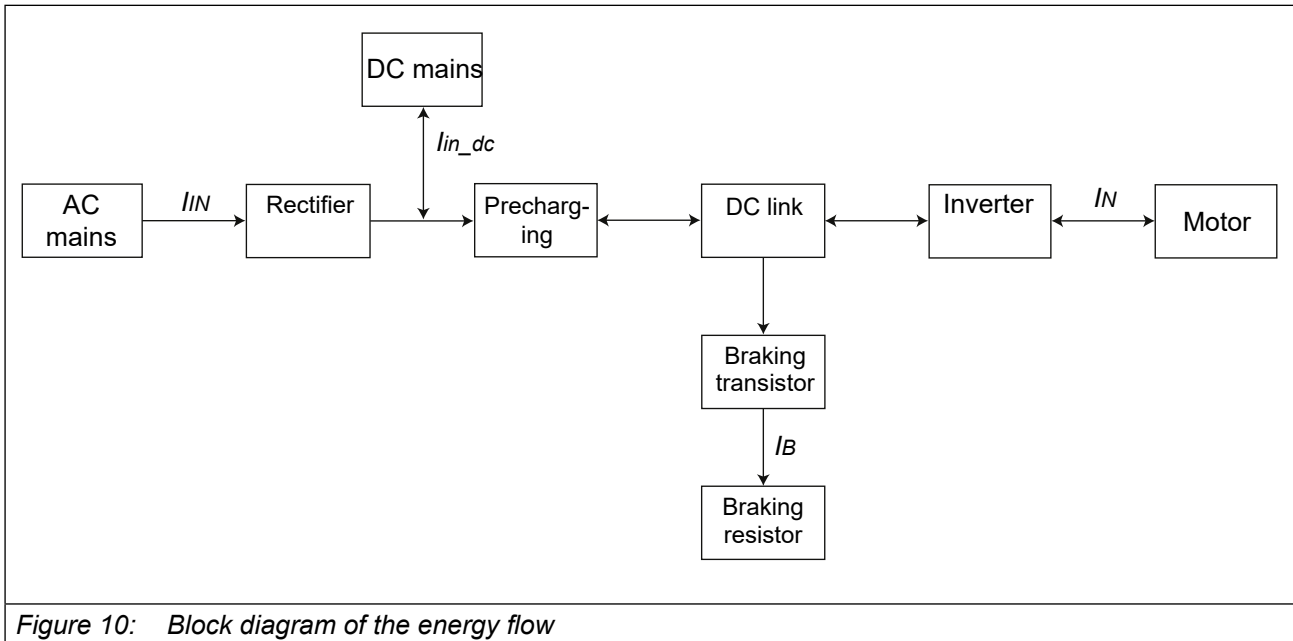


Figure 10: Block diagram of the energy flow



Activation of the braking transistor function

The function must be activated with parameter "is30 braking transistor function" in order to use the braking transistor.

Further information can be found in the download area of www.keb-automation.com with the search term „S6 Programming manual“.

3.5.6 Fan

Device size		12	13	14
Heat sink fan	Number	1		
	Speed-variable	—		

Table 28: Fan

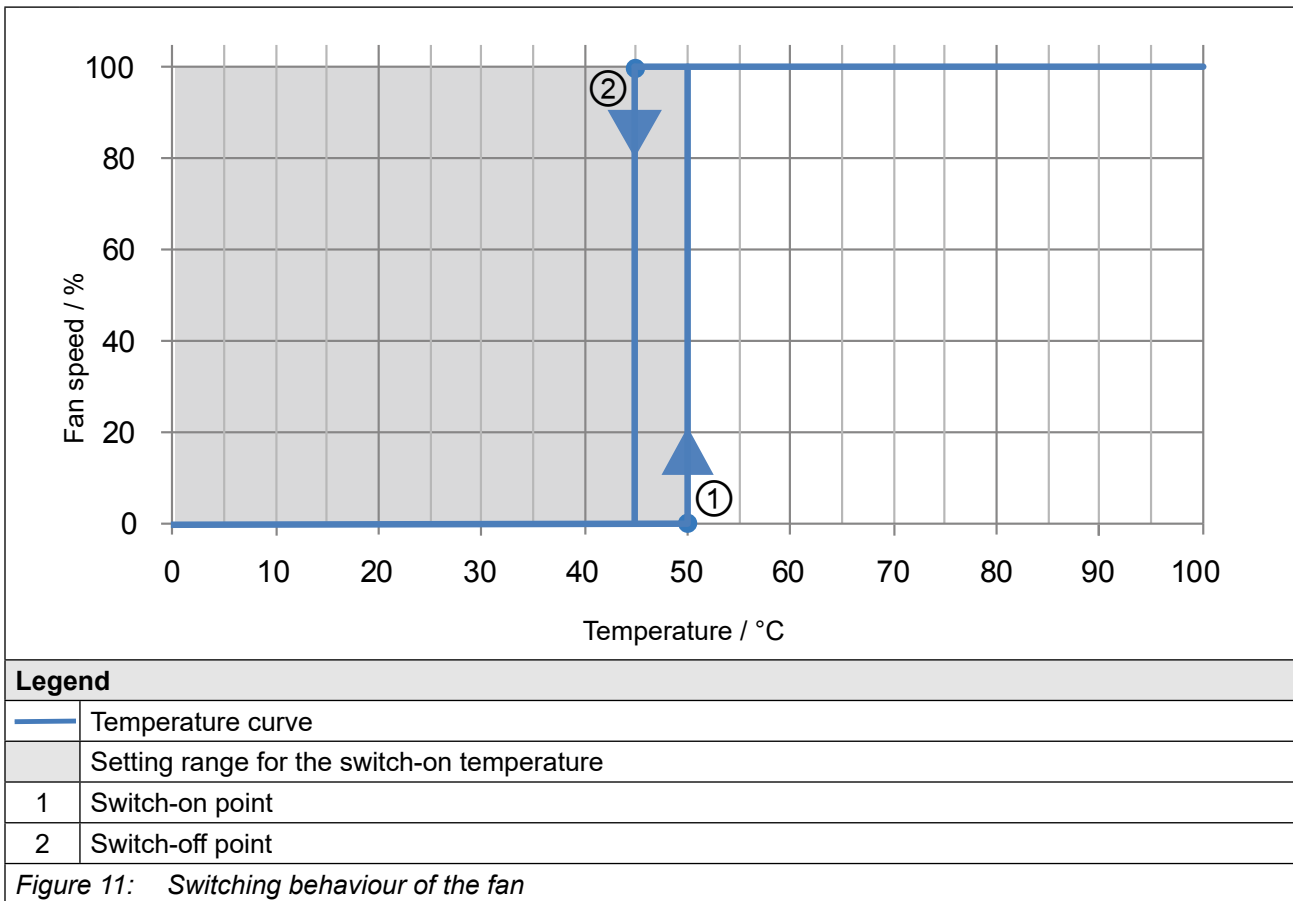
NOTICE

Destruction of the fan!

► Take care that no foreign substances drop into the fan.

3.5.6.1 Switching behaviour of the fan

The fan has different switch-on and switch-off points. The switching point for the switch-on temperature ① of the fan is adjustable. The switching point for the switch-off temperature ② cannot be changed and is always 5°C below the switch-on temperature.



3.5.6.2 Switching points of the fan

The switching point for the switch-on temperature is adjustable between 0.1 °C and 50 °C. The default value is 50 °C.

4 Installation and connection

4.1 Overview of the COMBIVERT S6

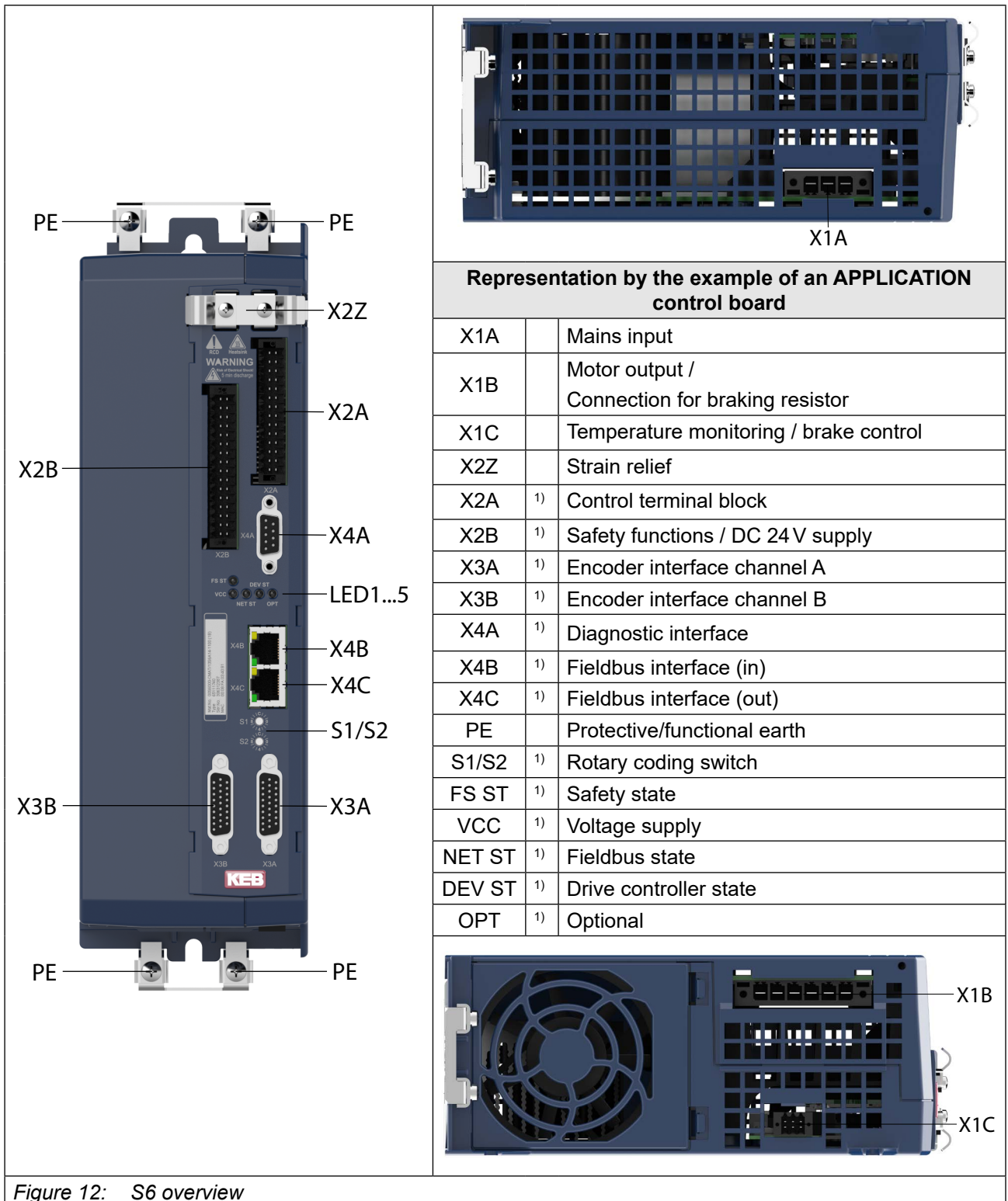


Figure 12: S6 overview

¹⁾ Is described in the installation manual of the control board.



Instructions for use COMBIVERT S6 control board
APPLIKATION

www.keb.de/fileadmin/media/Manuals/dr/ma_dr_s6-cu-a-inst-20109645_en.pdf



Instructions for use COMBIVERT S6 control board
KOMPAKT

www.keb.de/fileadmin/media/Manuals/dr/ma_dr_s6-cu-k-inst-20087885_en.pdf



Instructions for use COMBIVERT S6 control board
PRO

www.keb.de/fileadmin/media/Manuals/dr/ma_dr_s6-cu-p-inst-20156056_en.pdf



4.2 Connection of the power unit

4.2.1 Connection of the voltage supply

The COMBIVERT S6 corresponds to the drive controller type A1. This type can be supplied both by mains and via DC terminals. The starting current limiting is arranged before the DC link. When using as DC output, parallel connected drive controllers must have their own starting current limiting at the DC voltage input.

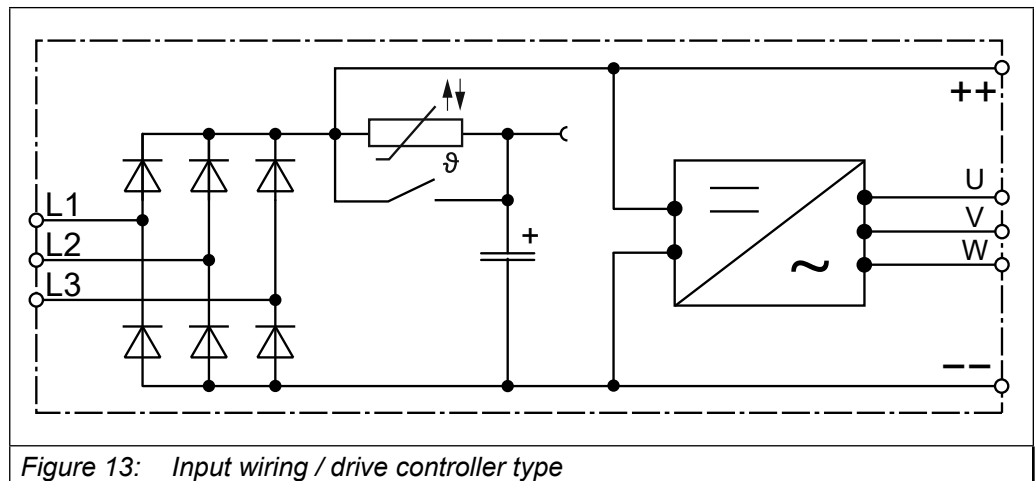


Figure 13: Input wiring / drive controller type

NOTICE



Minimum waiting time between two switch-on procedures 5 minutes!

- ▶ Cyclic switching on and off of the unit leads to temporary high resistance of the resistor (PTC) in the input.
- ▶ A restart without limitation is possible after cooling.

NOTICE

Destruction of the drive controller!

Never exchange connections mains input and motor output!

4.2.1.1 Mains terminal strip X1A

		Technical data	
		Type	Push-In spring connection
		Screwdriver blade	08 x 4.5
		Stripping length	12 mm
		Permissible cable cross-section of the terminal	24...10 AWG SOL 24...8 AWG STR
		without wire-end ferrule	0.5... 10 mm ²
		with wire end ferrule	1.5...6 mm ²
Name		Function	
L1		Mains connection 3-phase	
L2			
L3			
<p>Figure 14: Mains terminal strip X1A</p>			

4.2.2 Leakage currents

Calculated maximum leakage currents depending on voltage and frequency.

Rated input voltage / V	Frequency / Hz	Leakage current / mA
230	50 / 60	<5
400		

Table 29: Leakage currents



The specified leakage currents are calculated values in accordance with *DIN EN 60939-1*. The real leakage currents may deviate from the calculated values depending on the network conditions.

4.2.3 Protective earth and functional earth



Protective and functional earth must not be connected to the same terminal.

4.2.3.1 Protective earth

The protective earth (PE) serves for electrical safety particularly personal protection in error case.



Electric shock due to incorrect dimensioning!



► The earthing cross-section correspond to [VDE 0100](#) !

Name	Function	Terminal connection	Tightening torque
PE,	Connection for protective earth	Screw M4 for crimp connector	1.3 Nm 11 lb inch

Figure 15: Connection for protective earth

4.2.3.2 Functional earthing

A functional earthing may also be necessary, if for EMC requirements additional potential equalization between devices or parts of the system must be available.



The use of the functional earth (FE) is not required if the frequency inverter is EMC-technically wired.

The functional earth may not be wired green/yellow!

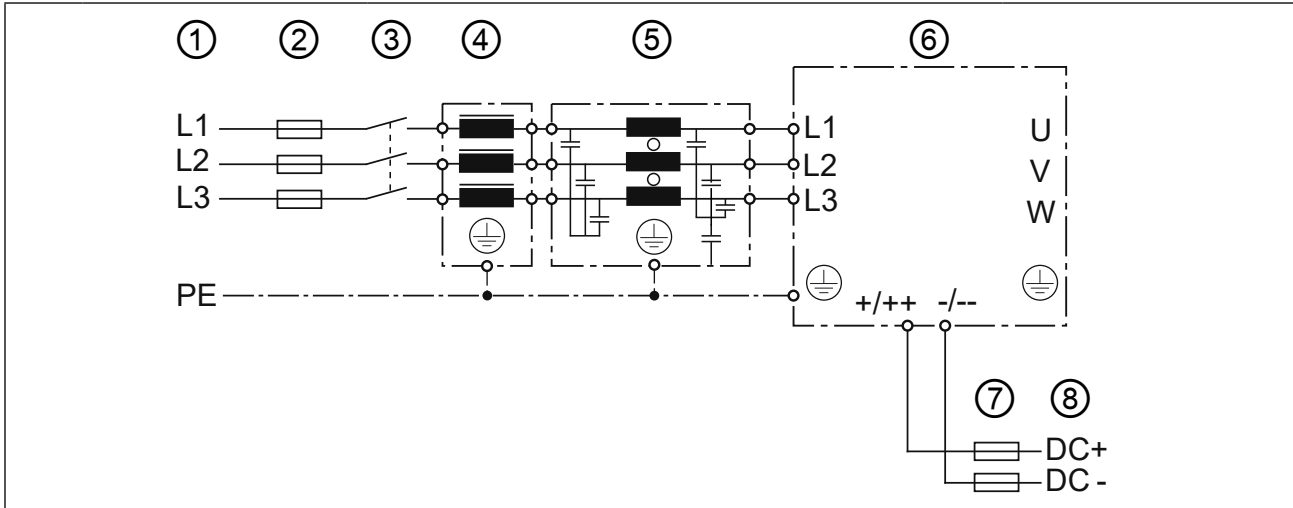


Notes on EMC-compatible installation can be found here.
www.keb.de/fileadmin/media/Manuals/emv/0000neb0000.pdf



4.2.4 AC mains connection

4.2.4.1 AC supply 400V / 3-phase



No.	Type	Description
1	Mains voltage	3-phase AC 400 V
	Mains form	TN, TT
		IT
		The rated voltage between one phase conductor and earth potential (or artificial neutral point in the IT mains) must not exceed 300 V (effective value).
	Personal protection	RCMA with separator or RCD type B
2	Mains fuses	Type gG
3	Mains contactor	—
4	Mains choke	=> „Conducted immunity depending on the motor cable length at AC supply“
5	HF filter	Optional zur Einhaltung der Grenzwerte gemäß EN 61800-3 bei Geräten ohne internen Filter
6	KEB COMBIVERT	S6
7	DC fuses	See note in chapter „Absicherung der Antriebsstromrichter“.
8	DC supply	DC supply generated by the drive converter for connecting additional drive converters => „4.2.6 DC-bus connection“

Figure 16: Connection of the mains supply

The service life of drive controllers with voltage DC link depends on the DC voltage, surrounding temperature and the current load of the electrolytic capacitors in the DC link. The use of mains chokes can increase the service life of the condensators to a considerable extent, especially when connecting to "hard" power systems or under permanent drive load (continuous duty). The term "hard" power system means that the nodal point power (S_{net}) of the mains is very high ($>> 200$) compared to the rated apparent output power of the drive controller (S_{out}).

$k = \frac{S_{net}}{S_{out}} \gg 200$	e.g.	$k = \frac{2 \text{ MVA (supply transformer)}}{4 \text{ kVA (10S6)}} = 500 \rightarrow \text{Choke required}$
---------------------------------------	------	---

4.2.4.2 Supply cable

The conductor cross-section of the supply line is determined by the following factors:

- Input current of the drive controller
- Used cable type
- Installation method and ambient temperature
- The locally valid electrical regulations



The project engineer is responsible for the design!

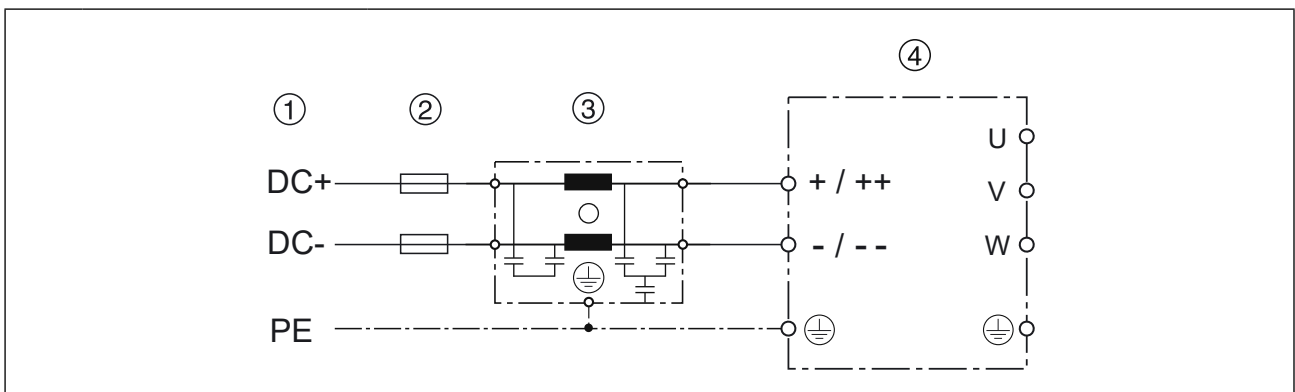
4.2.5 DC mains connection

4.2.5.1 DC supply

NOTICE

Destruction of the drive controller!

▶ Never swap “+ / ++” and “- / --”!



No.	Type	Description
1	DC supply	2-phase
2	DC mains fuses	See note in chapter „Absicherung DC-Versorgung“.
3	HF filter	Zur Einhaltung der Grenzwerte gemäß <i>EN 61800-3</i> erforderlich.
4	Drive controller	COMBIVERT S6

Figure 17: Connection of the DC power supply

4.2.5.2 Terminal block X1B DC connection

		Technical data	
		Type	Push-In spring connection
		Screwdriver blade	08x4.5
		Stripping length	12 mm
		Permissible cable cross-section of the terminal	24...10 AWG SOL 24...8 AWG STR
		without wire-end ferrule	0.5...10 mm ²
		with wire end ferrule	1.5...6 mm ²
Name		Function	
++		DC connection	
--			

Figure 18: Terminal block X1B DC connection

4.2.6 DC-bus connection

In a DC network, the intermediate circuits of several drive converters are coupled. This enables energy exchange between them and increases the energy efficiency of the application.

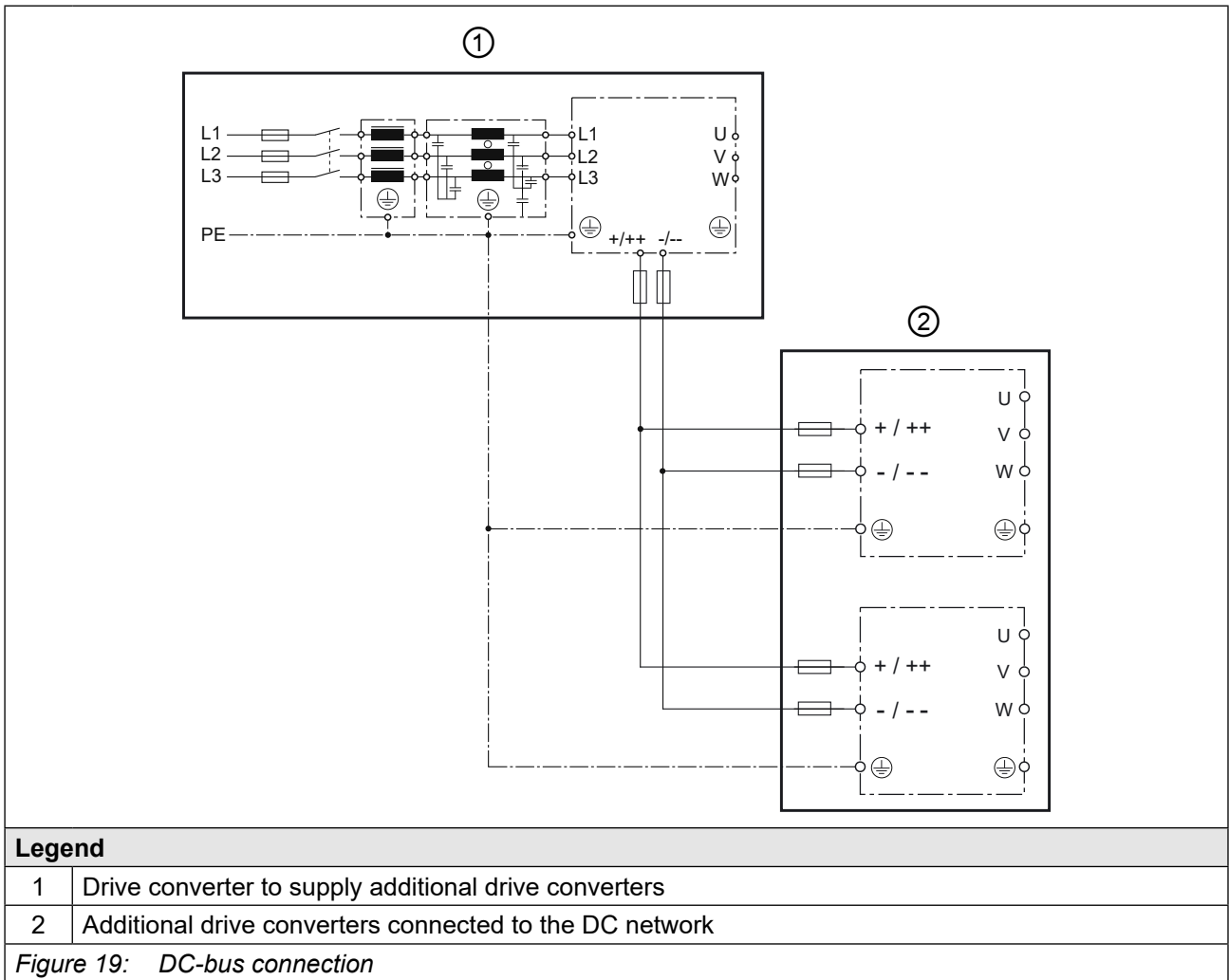
This drive converter can be supplied as part of a DC network either via the DC terminals => „4.2.5 DC mains connection“ or supply other drive converters via the DC terminals => . „4.2.4 AC mains connection“.



KEB has not tested the multitude of possible DC connections against the EMC product standard DIN EN IEC 61800-3. The CE conformity of the DC network is the responsibility of the user.

The following additional safety instructions must be observed when using this drive converter in a DC system:

- This drive converter may only be operated together with other F6 and S6 drive converters of the 400V class in a DC network.
- This drive converter must be installed in a housing.
- This drive converter must be protected with fuses at the DC terminals => „Table 24: Protection of drive converters with DC supply“.
- After a fuse in the DC system has blown due to a short circuit, all fuses in the DC system should be replaced due to the risk of damage.
- The parameterization of the input phase failure detection must be adjusted => S6 Programmierhandbuch.



① When using this drive converter to supply additional drive converters via the DC terminals, the following must also be observed:

- The max. pre-charging current must not be exceeded => „Table 27: DC link / braking transistor function“.
- Each drive converter in the DC network must have an internal pre-charging circuit
- The user must prevent the rectifier from overloading => „Table 17: Overview of rectifier data“.

4.2.7 Connection of the motor

4.2.7.1 Selection of the motor cable

The correct cabling as well as the motor cable plays an important part in case of low power in connection with long motor cable lengths. Ferrite cores and low-capacitance cables (phase/phase<65 pF/m, phase/screen<120 pF/m) at the output have the following effects:

- longer motor cable lengths
- less abrasion of the motor gearbox by leakage currents
- better EMC properties (reduction of the common-mode output currents to earth)

4.2.7.2 Conducted immunity depending on the motor cable length at AC supply

The maximum motor line length is depending on the capacity of the motor cable as well as on the EMC emitted interference. The following data apply for operation under nominal rating conditions.

Device size	Max. motor cable length (shielded) in accordance with EN 61800-3 Category C2 Motor cable (low-capacitance)
12	100 m
13	
14	

Table 30: Maximum motor cable length at AC supply



The cable length can be significantly extended by using motor chokes or filters. KEB recommends the use of motor chokes or filters for a line length upto 50 m. Motor chokes or filters are absolutely necessary upto 100 m.

4.2.7.3 Motor cable length at operation with DC voltage

The maximum motor cable length at DC operation is basically dependent on the capacity of the motor cable. The internal filter is not active at DC operation. External measures must be taken here, if necessary. The following data apply for operation under nominal rating conditions.

Device size	Motor cable (low-capacitance)
12	50 m
13	
14	

Table 31: Motor cable length at DC operation

4.2.7.4 Motor cable length for parallel operation of motors

The resulting motor cable length for parallel operation of motors, or parallel installation with multiple cables arises from the following formula:

$$\text{Resulting motor cable length} = \left(\sum_{l=1}^N \text{Motor cable lengths} \right) * \sqrt{n} \text{ [Number of motor cables]}$$

4.2.7.5 Motor cable cross-section

The motor cable cross-section is dependent

- on the characteristic of the output current (e.g. not sine-wave).
- on the real effective value of the motor current.
- on the cable length.
- on the type of the used cable.
- on the ambient conditions such as bundling and temperature.

4.2.7.6 Interconnection of the motor

NOTICE

Protect motor against voltage peaks!

Drive controllers switch at the output with $dV/dt \leq 5kV/\mu s$. Voltage peaks that endanger the insulation system at the motor can occur especially in case of long motor cables (> 15 m). A motor choke, a dv/dt-filter or sine-wave filter can be used for protection of the motor.

NOTICE

Faulty behaviour of the motor!

The connecting-up instructions of the motor manufacturer are always generally valid!

4.2.7.7 Terminal block X1B motor connection

Technical data	
Type	Push-In spring connection
Screwdriver blade	08 x 4.5
Stripping length	12 mm
Permissible cable cross-section of the terminal	24...10 AWG SOL 24...8 AWG STR
without wire-end ferrule	0.5...10 mm ²
with wire end ferrule	1.5...6 mm ²
Name	
U, V, W	
Function	
Motor connection	

Figure 20: Terminal block X1B motor connection

4.2.7.8 Wiring of the motor

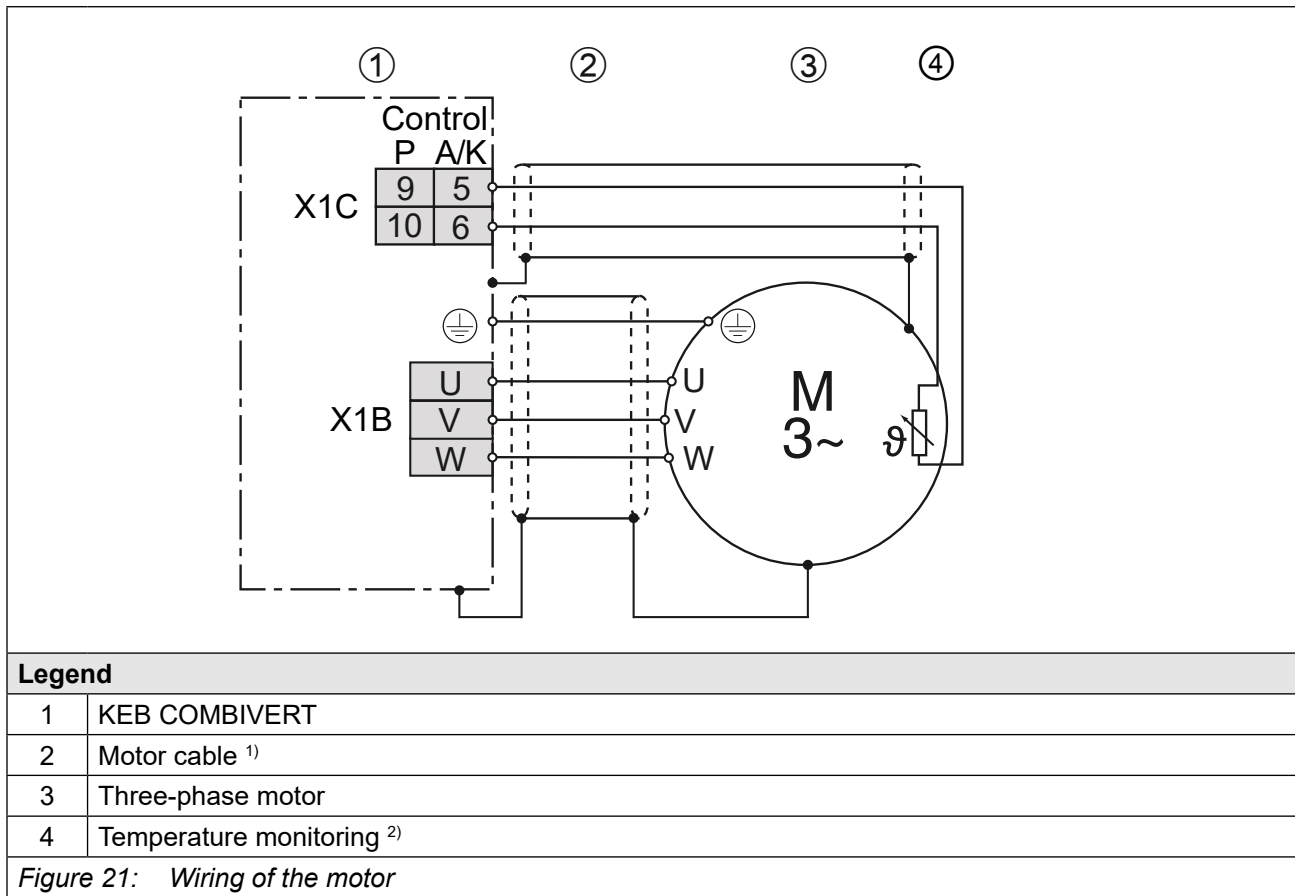


Figure 21: Wiring of the motor

¹⁾ Apply the shield at both ends over a large area on the functional earth (shielding plate or mounting plate)
²⁾ Temperature monitoring is optionally available => Instructions for use "Control unit".

NOTICE

Connection of the temperature detection!

- ▶ Do not lay the connection cable of the motor temperature detection (also shielded) together with the control cable.
- ▶ The connection cable of the temperature detection inside the motor cable is only permissible with additional shielding (double shielding).
- ▶ The input of the temperature detection has basic isolation.

4.2.8 Connection of a braking resistor

⚠ CAUTION

Not fall below the minimum braking resistor value!

- ▶ Falling below the minimum braking resistor value destroys the braking transistor of the drive controller.

4.2.8.1 Terminal block X1B connection braking resistor

	Technical data	
	Type	Push-In spring connection
	Screwdriver blade	08 x 4.5
	Stripping length	12 mm
	Permissible cable cross-section of the terminal	24...10 AWG SOL 24...8 AWG STR
	without wire-end ferrule	0.5...10 mm ²
	with wire end ferrule	1.5...6 mm ²
Name		Function
++		Connection braking resistor
R		

Figure 22: Terminal block X1B Connection of a braking resistor

4.2.8.2 Use of intrinsically safe braking resistors

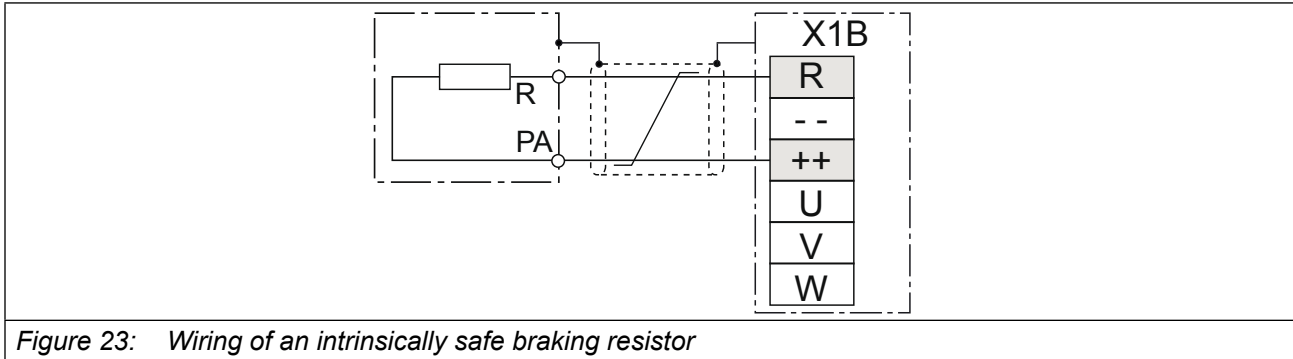


Figure 23: Wiring of an intrinsically safe braking resistor

NOTICE

Only intrinsically safe braking resistors permitted!

Only "intrinsically safe" braking resistors are permissible for this operation, since these resistors interrupt themselves at fault such as safety fuse without fire risk.



Technical data and design for intrinsically safe braking resistors.

www.keb.de/fileadmin/media/Manuals/dr/ma_dr_safe-braking-resistors-20106652_de.pdf



4.2.8.3 Use of non-intrinsically safe braking resistors

WARNING

Use of non-intrinsically safe braking resistors!

Fire or smoke development in case of overload or fault!



- ▶ Only use braking resistors with temperature sensor.
- ▶ Evaluate temperature sensor.
- ▶ Trigger fault on the drive controller (e.g. external input).
- ▶ Switch off input voltage (e.g. input contactor).
- ▶ Connection examples for non-intrinsically safe braking resistors => *Instructions for use "Installation braking resistors"*.



Technical data and design for non-intrinsically safe braking resistors.

www.keb.de/fileadmin/media/Manuals/dr/ma_dr_braking-resistors-20116737_de.pdf



4.3 Brake control and temperature detection for K- and A- control

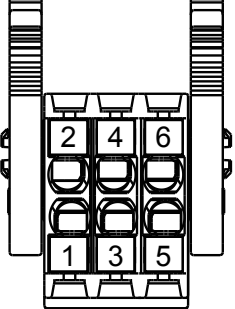
X1C	PIN	Name	Notes
	1	BR+	Brake control / output +
	2	BR-	Brake control / output -
	3	Reserved	
	4	Reserved	
	5	TA1	Temperature detection / input+
	6	TA2	Temperature detection / input-

Figure 24: Assignment of the terminal block X1C for K- and A-control

4.3.1 Specification and connection of the brake control

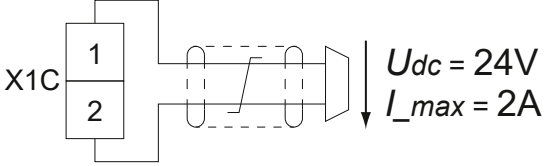
	
Name	BR+ (X1C.1); BR- (X1C.2)
Function	Output to supply a brake
Output voltage	<ul style="list-style-type: none"> Minimum P24V_IN - 2.4 V Maximum P24V_IN
Maximum output current	2A
Others	Short-circuit proof, internal free-wheeling path; internal filter switching

Figure 25: Example for the connection of the brake output at X1C

4.3.2 Specification and connection of the temperature detection

⚠ DANGER



Use only sensors with basic insulation to mains potential !

Danger to life due to electric shock !

- ▶ The inputs of the temperature detection have „basic insulation“ against SELV voltage of the control.
- ▶ A system voltage (Phase – PE) of 300 V is defined.

NOTICE

Malfunctions due to incorrect cable or laying!

Malfunctions of the control due to capacitive or inductive coupling.

- ▶ Do not lay cables of the motor temperature sensor (also shielded) together with the control cable!
- ▶ Cables of the motor temperature sensor inside the motor cable only permissible with double shielding!

A switchable KTY84/PTC evaluation is implemented in the KEB COMBIVERT. The desired operating mode can be adjusted by software (dr33).

Operating mode (dr33)		Resistance	Temperature / state
0	KTY84/130	0.49 kΩ	0°C
		1 kΩ	100°C
		1.72 kΩ	200°C
1	PTC in accordance with <i>EN 60947-8</i> (standard)	< 0.75 kΩ	TA1-TA2 closed
		0.75...1.5 kΩ	Reset resistance
		1.65...4 kΩ	Tripping resistance
		> 4 kΩ	TA1-TA2 open
2	By encoder	digital by the encoder channel	
3	KTY83/110	0.82 kΩ	0°C
		1.67 kΩ	100°C
		2.53 kΩ	175°C
4	PT1000	1 kΩ	0°C
		1.38 kΩ	100°C
		1.75 kΩ	200°C
—	Monitoring	< 0,04 kΩ	Short circuit
		> 79,5 kΩ	No connection (sensor break)

Table 32: Specification of the temperature input for K- and A-control

4.3.3 Operation without temperature detection

Use of the COMBIVERT without evaluation of the temperature input:

- Deactivate the evaluation (pn33 =7)
- or
- Install bridge between terminal X1C.5 and X1C.6 (dr33=1)

4.3.4 Connection of a KTY sensor

NOTICE

No protection of the motor winding in case of wrong connection.

- ▶ Operate KTY sensors in forward direction. Non-observance leads incorrect measurement in the upper temperature range.
- ▶ KTY sensors may not be combined with other detections.

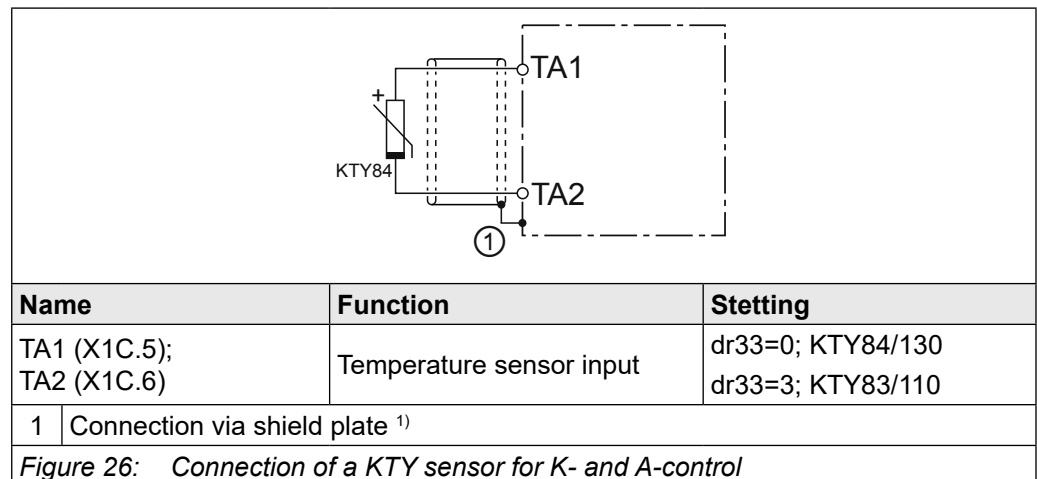


Figure 26: Connection of a KTY sensor for K- and A-control

¹⁾ If not available, place on the mounting plate.

4.3.5 Connection of PTC, temperature switch or PT1000

Thermal contact (NC contact)		
Temperature sensor (PTC) or PT1000		
Mixed sensor chain		
Name	Function	Setting
TA1 (X1C.5); TA2 (X1C.6)	Temperature sensor input	dr33=1; PTC or temperature switch dr33=4; PT1000
1	Connection via shield plate ¹⁾	
<i>Figure 27: Connection examples of different temperature sensors K/A</i>		

¹⁾ If not available, place on the mounting plate.

4.4 Brake control and temperature detection for P- control

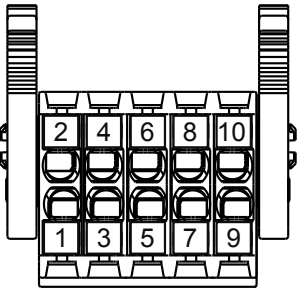
X1C	PIN	Name	Notes
	1	BR+	Brake control / output
	2	BR-	Brake control / output
	3	0V	For supply of the feedback inputs P24Vin - 0.5V / max. 1A
	4	24Vout	(BR+ and 24Vout in addition 2A)
	5	DIBR1	Feedback input for brake control
	6	DIBR2	Feedback input for brake control
	7/8	reserved	
	9	TA1	Temperature detection / input+
	10	TA2	Temperature detection / input-

Figure 28: Assignment of the terminal block X1C for P-control

4.4.1 Specification and connection of the brake / relay control

Features of the control

- Safely control one brake/relay
- Control together two single brakes/relays; it must be the same brake/relay twice.
- Internal brake feedback without additional wiring or external via two digital brake inputs.
- Power reduction through pulse width modulated control.
- Rapid demagnetization with a counter voltage of 27.5V, maximum every 5s
- Current monitoring

The control, parameterization and reading of the feedback inputs of the brake is carried out via the integrated safety module. Corresponding wiring and parameterization suggestions are described in the safety manual type 5.

Name	BR+ (X1C.1); BR- (X1C.2)
Function	Output for control one/two brake(s) or relay(s)
DC output voltage	Minimum P24Vin -1,2V Maximum P24Vin
Maximum braking current	one brake: 2A two brakes: 2 x 1A
Others	Internal free-wheeling path; internal filter circuit; not short-circuit proof

Table 33: Specification of the brake control for P-control

NOTICE

Using a brake

- Choose the input voltage tolerance of the brake corresponding to the tolerance of the output voltage.

4.4.2 Specification and connection of the temperature detection

⚠ DANGER**Danger to life due to electric shock!**

- ▶ Use only sensors with base insulation or safe separation!

NOTICE**Malfunctions due to incorrect cable or laying!****Malfunctions of the control due to capacitive or inductive coupling.**

- ▶ Do not lay cables of the motor temperature sensor (also shielded) together with the control cable!
- ▶ Cables of the motor temperature sensor inside the motor cable only permissible with double shielding!

A switchable KTY84/PTC evaluation is implemented in the COMBIVERT. The desired operating mode can be adjusted by software (dr33).

Operating mode (dr33)	Resistance	Temperature / state
0 KTY84/130	0.49 kΩ	0°C
	1 kΩ	100°C
	1.72 kΩ	200°C
1 PTC in accordance with <i>EN 60947-8</i> (standard)	< 0.75 kΩ	TA1-TA2 closed
	0.75...1.5 kΩ	Reset resistance
	1.65...4 kΩ	Tripping resistance
	> 4 kΩ	TA1-TA2 open
2 By encoder	digital by the encoder channel	
3 KTY83/110	0.82 kΩ	0°C
	1.67 kΩ	100°C
	2.53 kΩ	175°C
4 PT1000	1 kΩ	0°C
	1.38 kΩ	100°C
	1.75 kΩ	200°C
– Monitoring	< 0,04 kΩ	Short circuit
	> 79,5 kΩ	No connection (sensor break)

Table 34: Specification of the temperature input for P-control

4.4.2.1 Operation without temperature detection

Use of the COMBIVERT without evaluation of the temperature input:

- Deactivate the evaluation (pn12=7).

or

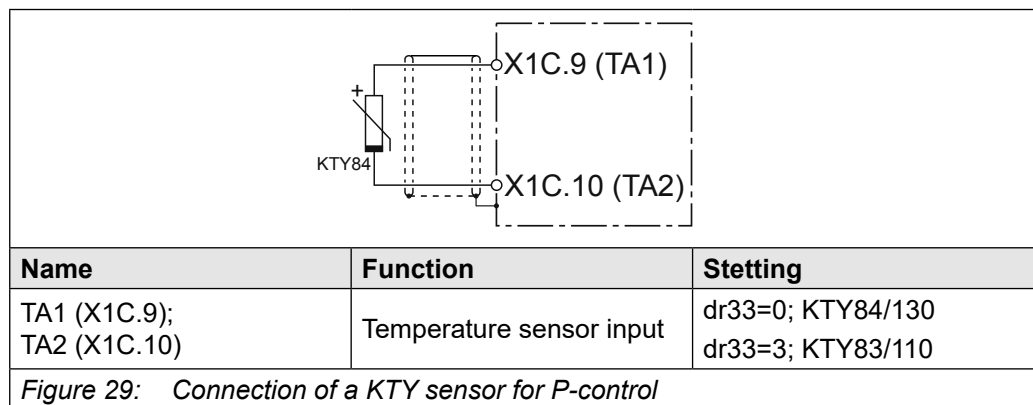
- Install bridge between terminal TA1 (X1C.9) and TA2 (X1C.10) (dr33=1).

4.4.2.2 Connection of a KTY sensor

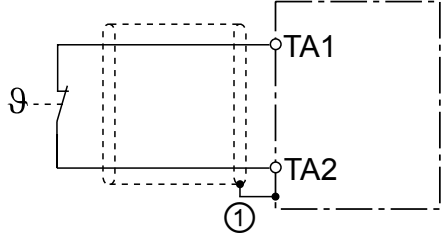
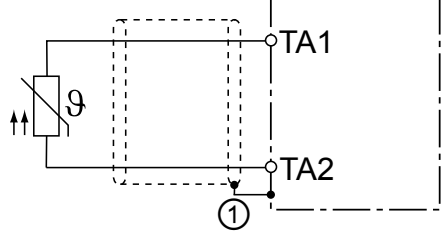
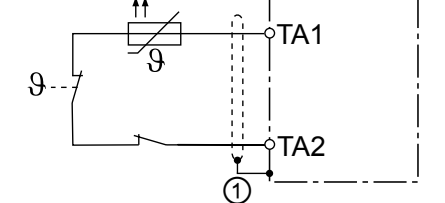
NOTICE

No protection of the motor winding in case of wrong connection.

- ▶ Operate KTY sensors in forward direction. Non-observance leads incorrect measurement in the upper temperature range.
- ▶ KTY sensors may not be combined with other detections.



4.4.2.3 Connection of PTC, temperature switch or PT1000

Thermal contact (NC contact)		
Temperature sensor (PTC) or PT1000		
Mixed sensor chain		
Name	Function	Stetting
TA1 (X1C.9); TA2 (X1C.10)	Temperature sensor input	dr33=1; PTC or temperature switch dr33=4; PT1000
1	Connection via shield plate ¹⁾	
Figure 30: Connection examples of different temperature sensors for P-control		

¹⁾ If not available, place on the mounting plate.

5 Certification

5.1 CE marking

The drive controller marked with a CE logo comply with the requirements specified by European Union directives. The CE Declaration of Conformity is available on the Internet at www.keb-automation.com/search.



For further information regarding the CE declarations of conformity.

=> „5.5 Further informations and documentation“

5.2 Functional safety

Drive controllers with functional safety are marked with the FS logo on the nameplate. These devices are designed and manufactured in accordance with the Machine Directive. Die harmonisierte Norm der Reihe [EN 61800-5-2](#) wird angewendet.

5.3 Annex to the declaration of conformity

Annex to the EC declaration of conformity for systems with functional safety:

Product designation:	Drive controller - series	xxS6(A/K)xx-xxxx
	Dimension	07 - 14
	Voltage class	400 Vac

Hereby we declare that the safety component specified above complies with all relevant regulations of the machine directive.

The safety component specified above meets the requirements of the following guidelines and standards:

- Machine directive 2006/42/EC
- EMC directive 2014/30/EU
- Low-Voltage Directive 2014/35/EU
- Hazardous substances 2011/65/EU

ANNEX TO THE DECLARATION OF CONFORMITY

EN - Norm	Name	Reference
EN61800-5-1	Electrical power drive systems with adjustable speed: Safety requirements	VDE 0160-105-1
EN61800-2	Basic determinations for AC drive controllers	VDE 0160-102
EN61800-3	Electrical power drive systems with adjustable speed. EMC requirements	VDE 0160-103
Especially for systems with functional safety additionally:		
EN61800-5-2	Electrical power drive systems with adjustable speed: functional safety requirements	VDE 0160-105 -2
EN61508-(1...7)	Functional safety of electrical/electronic programmable electronic safety-related systems	VDE 0803-1 ...7
EN 60204-1	Safety of machinery - Electrical equipment of machines Part1: General requirements	VDE 0113-1
EN62061	Safety of machinery: Functional safety of electrical, electronic and programmable electronic control systems	VDE 0113 -50
EN 13849-1	Safety of machinery - Safety-related parts of control systems	–
<i>Table 35: Applied standards</i>		

The conformity was confirmed by the TÜV Rheinland with the EC-type examination certificate 01/205/5421.00/14.

The number/address of the indicated constitution:

NB 0035

TÜV Rheinland Industrie Service GmbH

Alboinstr. 56,

12103 Berlin


Germany

Tel.: +49 30 7562-1557

Fax: +49 30 7562-1370

E-Mail: tuvat@de.tuv.com

5.4 UL Marking

	Acceptance according to UL is marked at KEB drive controllers with the adjacent logo on the nameplate.	UL file number E167544
---	--	---------------------------

To be conform according to UL for use on the North American and Canadian Market the following additionally instructions must be observed (original text of the UL-File):

- Only for use in grounded WYE supply sources.
- Rating of relays on Control Board A or Control Board K (30Vdc / 1A)
- Maximum Surrounding Air Temperature 45°C.
- S6, Housing Size 4(3 phase Models: 12S6,13S6):
Suitable For Use On A Circuit Capable Of Delivering Not More Than 5000 rms Symmetrical Amperes, xxx Volts Maximum when protected by CC or J Class Fuses or by a Manual Motor Controller,type E as specified in the instruction manual

S6, Housing Size 4(3 phase Models 14S6):

Suitable For Use On A Circuit Capable Of Delivering Not More Than 5000 rms Symmetrical Amperes, xxx Volts Maximum when protected by CC or J Class Fuses.

S6, Housing Size 4 (3 phase Models: 12S6,13S6 and 14S6):

Suitable For Use On A Circuit Capable Of Delivering Not More Than 30000 rms Symmetrical Amperes, xxx Volts Maximum when protected by CC Class Fuses as specified in the instruction manual

S6, Housing Size 4 (3 phase Models 12S6 and 13S6): „Suitable For Use On A Circuit Capable Of Delivering Not More Than 5000 rms Symmetrical Amperes, 480 Volts Maximum when protected by Circuit Breakers”, see instruction manual for Branch Circuit Protection details „.

Where:

xxx = 230V for 200-230V models and 480V for 480V models

- Integral solid state short circuit protection does not provide branch circuit protection. Branch circuit protection must be provided in accordance with the Manufacturer Instructions, National Electrical Code, the Canadian Electrical code, part I“, and any additional local codes.
- Use in a Pollution Degree 2 environment.
- Use 60/75°C Copper Conductors Only.
- During the UL evaluation, only Risk of Electrical Shock and Risk of Fire aspects were investigated. Functional Safety aspects were not evaluated.

continued on the next page

- WARNING – The opening of the branch circuit protective device may be an indication that a fault current has been interrupted. To reduce the risk of fire or electrical shock, current-carrying parts and other components of the controller should be examined and replaced if damaged. If burnout of the current element of an overload relay occurs, the complete overload relay must be replaced.”

And

ATTENTION – LE DÉCLENCHEMENT DU DISPOSITIF DE PROTECTION DU CIRCUIT DE DÉRIVATION PEUT ÊTRE DÙ À UNE COUPURE QUI RÉSULTE D’UN COURANT DE DÉFAUT. POUR LIMITER LE RISQUE D’INCENDIE OU DE CHOC ÉLECTRIQUE, EXAMINER LES PIÈCES PORTEUSES DE COURANT ET LES AUTRES ÉLÉMENTS DU CONTRÔLEUR ET LES REMPLACER S’ILS SONT ENDOMMAGÉS. EN CAS DE GRILLAGE DE L’ÉLÉMENT TRAVERSÉ PAR LE COURANT DANS UN RELAIS DE SURCHARGE, LE RELAIS TOUT ENTIER DOIT ÊTRE REMPLACÉ.

Devices 12, 13 / 480V – housing 4 have been evaluated for connecting to DC voltage, supplied by other KEB inverters to a DC bus capacitance as follows:

Cat. No.	Housing	Min. capacitance	Max. capacitance
13S6	04	560uF	18600 uF

Cat. No.	Housing	DC voltage	Full Load Current
13S6	04	680 V	8 A

Branch Circuit Protection for series S6 housing size 4

- I) Class CC or J, fuses; not more than 5000 rms Symmetrical Amperes (SCCR 5kA);
 Class CC, fuses; not more than 30000 rms Symmetrical Amperes (SCCR 30kA):

Cat. No.	Housing	Input Voltage [Vac]	maximum Fuse size [A]
12S6	04	200-230V / 3ph 480 / 3ph	15
13S6	04	200-230V / 3ph 480 / 3ph	20
14S6	04	200-230V / 3ph 480 / 3ph	25

The voltage rating of the external fuses shall be at least equal to the input voltage of the drives.

II) Listed (NKHJ, NKHJ7/CSA Certified), Type E Self Protected Manual Motor Controllers, not more than 5000 rms Symmetrical Amperes (SCCR 5kA), Type and manufacturer and electrical ratings as specified below:

200-230V Models:

Cat. No.	Housing	Manufacturer	Type	Rating
12S6	04	Eaton	PKZM0 32-E	200V/3ph, 7.5 hp
13S6				230V/3ph, 10 hp
14S6		N/A	N/A	N/A

480V Models:

Cat. No.	Housing	Manufacturer	Type	Rating
12S6	04	Eaton	PKZM0 32-E	480Y/277V/3ph, 20 hp
13S6				
14S6		N/A	N/A	N/A

N/A = not applicable

III) Listed (DIVQ, DIVQ7/CSA Certified), Listed Circuit Breaker, Type and manufacturer and electrical ratings as specified below:

480V Models/3ph S6 Models:

Cat. No.	Housing	Manufacturer	Type	Rating
12S6	04	Siemens	5SJ4320-7HG42	480Y/277Vac
13S6				20A

Following models were investigated for use with DC supply at their DC terminals:

DC Circuit Protection for series S6 housing size 2

480V/3ph Models:

Cat. No.	Housing	Manufacturer	Type	Rating
13S6	04	SIBA	50 118 06.20	700V / 20A

5.5 Further informations and documentation

You find supplementary manuals and instructions for the download under www.keb-automation.com/search

General instructions

- EMC and safety instructions
- Manuals for additional control boards, safety modules, fieldbus modules, etc.

Instruction and information for construction and development

- Input fuses in accordance with UL
- Programming manual for control and power unit
- Motor configurator to select the appropriate drive controller and to create downloads for parameterizing the drive controller

Approvals and approbations

- Declaration of conformity CE
- TÜV certificate
- FS certification

Other markings and approvals not listed here are identified by a corresponding logo on the rating plate or device, if applicable. The corresponding certificates are available on our website.

Others

- COMBIVIS, the software for comfortable parameterization of drive controllers via PC (available per download)
- EPLAN drawings

6 Revision history

Version	Date	Description
00	2015-11	Release version
01	2017-07	Change to new CI optics, revision of device data; Change of the overview; Adjustment of the backup data
02	2018-08	Inserting the device size 14
03	2019-12	Adjustment of the type code; editorial changes
04	2020-11	Inserting the installation depth; Adaptation of the UL descriptions
05	2021-05	Insertion of the chapter "Leakage currents", editorial changes
06	2022-05	Change type code
07	2023-05	Text of overload characteristic (OL) adapted, editorial changes
08	2023-11	General update, error correction
09	2024-02	Technical specifications of the terminals adapted
10	2025-05	Description of 400 V DC-Ready devices included, glossary and standards updated. aktualisiert. editorial changes
11	2025-07	Error correction
12	2025-12	Motor protection switch added, editorial changes
13	2026-05	Nameplate renewed, certification updated, editorial changes.

Glossary

0V	Earth-potential-free common point	Encoder emulation	Software-generated encoder output
1ph	1-phase mains	End customer	The end customer is the user of the customer product
3ph	3-phase mains	Endat	Bidirectional encoder interface of the company Heidenhain
AC	AC current or voltage	EtherCAT	Real-time Ethernet bus system of the company Beckhoff
AFE	From 07/2019 AIC replaces the previous name AFE	Ethernet	Real-time bus system - defines protocols, plugs, types of cables
AFE filter	From 07/2019 AIC filter replaces the previous name AFE filter	FE	Functional earth
AIC	Active Infeed Converter	FSoE	Functional Safety over Ethernet
AIC filter	Filter for Active Infeed Converter	FU	Drive controller
Application	The application is the intended use of the KEB product	GND	Reference potential, ground
ASCL	Asynchronous sensorless closed loop	GTR7	Braking transistor
Auto motor ident.	Automatically motor identification; calibration of resistance and inductance	HF filter	KEB specific term for an EMC filter (for description see EMC filter).
AWG	American wire gauge	Hiperface	Bidirectional encoder interface of the company Sick-Stegmann
B2B	Business-to-business	HMI	Human machine interface (touch screen)
BiSS	Open source real-time interface for sensors and actuators (DIN 5008)	HSP5	Fast, serial protocol
CAN	Fieldbus system	HTL	Incremental signal with an output voltage (up to 30V) -> TTL
c.d.f.	Cyclic duration factor	IEC	IEC xxxxx stands for an international standard of the International Electrotechnical Commission
CDM	Complete drive module including auxiliary equipment (control cabinet)	IPxx	Protection class (xx for class)
COMBIVERT	KEB drive controller	KEB product	The KEB product is subject of this manual
COMBIVIS	KEB start-up and parameterizing software	KTY	Silicium temperature sensor (polarized)
Customer	The customer has purchased a KEB product from KEB and integrates the KEB product into his product (customer product) or resells the KEB product (dealer)	Manufacturer	The manufacturer is KEB, unless otherwise specified (e.g. as manufacturer of machines, engines, vehicles or adhesives)
DC	DC current or voltage	MCM	American unit for large wire cross sections
DI	Demineralized water, also referred to as deionized (DI) water	Modulation	Means in drive technology that the power semiconductors are controlled
DIN	German Institut for standardization	MTTF	Mean service life to failure
DS 402	CiA DS 402 - CAN device profile for drives	NHN	Standard elevation zero; based on the specified height definition in Germany (DHHN2016). The international data generally deviate from this by only a few cm to dm, so that the specified value can be applied to the regionally applicable definition.
ELV	Extra-low voltage	OC	Overcurrent
EMC filter	EMC filters are used to suppress conducted interferences in both directions between the drive controller and the mains	OH	Overheat
Emergency stop	Shutdown of a drive in emergency case (not de-energized)	OL	Overload
Emergency switching off	Switching off the voltage supply in emergency case		
EMS	Energy Management System		
EN	European standard		

OSSD	Output signal switching device; - an output signal that is checked in regular intervals on its shutdown. (safety technology)
PDS	Power drive system incl. motor and measuring probe
PE	Protective earth
PELV	Protective Extra Low Voltage
PFD	Term used in the safety technology (EN 61508-1...7) for the size of error probability
PFH	Term used in the safety technology (EN 61508-1...7) for the size of error probability per hour
PLC	Programmable logic controller
Pt100	Temperature sensor with $R_0=100\Omega$
Pt1000	Temperature sensor with $R_0=1000\Omega$
PTC	PTC-resistor for temperature detection
PWM	Pulse width modulation
RJ45	Modular connector with 8 lines
SCL	Synchronous sensorless closed loop
SELV	Safe extra-low voltage, unearthed
SIL	The safety integrity level is a measure for quantifying the risk reduction. Term used in the safety technology (EN 61508 -1...7)
SS1	Safety function „Safe stop 1“ in accordance with IEC 61800-5-2
SSI	Synchronous serial interface for encoder
STO	Safety function „Safe Torque Off“ in accordance with IEC 61800-5-2
TTL	Logic with 5 V operating voltage
USB	Universal serial bus
VARAN	Real-time Ethernet bus system

List of Figures

Figure 1:	Nameplate.....	20
Figure 2:	Dimensions built-in version housing 4	25
Figure 3:	Dimensions built-in version with accessories housing 4.....	26
Figure 4:	Mounting distances	27
Figure 5:	Control cabinet ventilation.....	27
Figure 6:	Installation depth.....	29
Figure 7:	Turn-off time depending on the overload (OL) device size 12 and 13	34
Figure 8:	Turn-off time depending on the overload (OL) device size 14	35
Figure 9:	Overload characteristic in the lower speed range (OL2).....	36
Figure 10:	Block diagram of the energy flow.....	43
Figure 11:	Switching behaviour of the fan.....	44
Figure 12:	S6 overview	45
Figure 13:	Input wiring / drive controller type	47
Figure 14:	Mains terminal strip X1A.....	48
Figure 15:	Connection for protective earth.....	49
Figure 16:	Connection of the mains supply.....	50
Figure 17:	Connection of the DC power supply	51
Figure 18:	Terminal block X1B DC connection.....	52
Figure 19:	DC-bus connection	53
Figure 20:	Terminal block X1B motor connection.....	55
Figure 21:	Wiring of the motor.....	56
Figure 22:	Terminal block X1B Connection of a braking resistor	57
Figure 23:	Wiring of an intrinsically safe braking resistor.....	58
Figure 24:	Assignment of the terminal block X1C for K- and A-control.....	59
Figure 25:	Example for the connection of the brake output at X1C	59
Figure 26:	Connection of a KTY sensor for K- and A-control.....	61
Figure 27:	Connection examples of different temperature sensors K/A.....	62
Figure 28:	Assignment of the terminal block X1C for P-control	63
Figure 29:	Connection of a KTY sensor for P-control	65
Figure 30:	Connection examples of different temperature sensors for P-control.....	66

List of Tables

Table 1:	Type code	19
Table 2:	Configurable options	21
Table 3:	Climatic environmental conditions	22
Table 4:	Mechanical environmental conditions	23
Table 5:	Chemical / mechanical active substances	23
Table 6:	Device classification.....	24
Table 7:	Electromagnetic compatibility	24
Table 8:	Mounting instructions for control cabinet installation	28
Table 9:	Overview device data.....	30
Table 10:	Input voltage and frequencies.....	31
Table 11:	Input voltage for DC operation	31
Table 12:	Output voltage and frequencies	31
Table 13:	DC switching level.....	31
Table 15:	Input currents	32
Table 16:	Output currents	32
Table 17:	Overview of rectifier data	32
Table 18:	Power dissipation at rated operation.....	33
Table 19:	Frequency-dependent maximum current for device size 12	37
Table 20:	Frequency-dependent maximum current for device size 13	37
Table 22:	Switching frequency and temperature	38
Table 23:	Fusing of the drive controllers.....	38
Table 24:	Protection of drive converters with DC supply	39
Table 25:	Recommended motor protective circuit-breakers / circuit breakers for 400 V / 480 V appliances.....	40
Table 26:	Alternative motor protective circuit-breakers / circuit breaker for 400 V / 480 V appliances.....	41
Table 27:	DC link / braking transistor function	42
Table 28:	Fan.....	44
Table 29:	Leakage currents	48
Table 30:	Maximum motor cable length at AC supply.....	54
Table 31:	Motor cable length at DC operation	54
Table 32:	Specification of the temperature input for K- and A-control	60
Table 33:	Specification of the brake control for P-control	63
Table 34:	Specification of the temperature input for P-control.....	64
Table 35:	Applied standards	68



MORE KEB PARTNERS WORLDWIDE:

www.keb-automation.com/contact





Automation with Drive

www.keb-automation.com

KEB Automation KG Suedstrasse 38 D-32683 Barntrop Tel. +49 5263 401-0 E-Mail: info@keb.de